

# LARGE UNIT COOLER EVAPORATOR

Technical Guide

Now including models meeting minimum AWEF



# TABLE OF CONTENTS



<b>3</b>	<b>Features &amp; Benefits</b>
<b>4</b>	<b>Outstanding Features &amp; Nomenclature</b>
<b>5</b>	<b>Preferred Option Packages</b>
	<b>Models Meet Minimum DOE AWEF</b>
<b>6</b>	<b>Air Defrost</b>
6	Performance Data
6	Application Capacity: Air Defrost - 60 Hz
7	Unit Specifications
<b>8</b>	<b>Electric Defrost</b>
8	Performance Data
8	Application Capacity: Low Temp. Electric Defrost - 60 Hz
9	Application Capacity: Medium Temp. Electric Defrost - 60 Hz
10	Unit Specifications
<b>11</b>	<b>Hot Gas Defrost</b>
11	Performance Data
11	Application Capacity: Low Temp. Hot Gas Defrost - 60 Hz
12	Application Capacity: Medium Temp. Hot Gas Defrost - 60 Hz
13	Unit Specifications
	<b>Models Do Not Meet Minimum DOE AWEF</b>
<b>14</b>	<b>Air Defrost</b>
14	Performance Data
14	Application Capacity: Air Defrost - 60 Hz
15	Fan Data: Air Defrost - 50 Hz
16	Application Capacity: Air Defrost - 60 Hz
17	Fan Data: Air Defrost - 60 Hz
18	Unit Specifications
<b>20</b>	<b>Electric Defrost</b>
20	Performance Data
20	Application Capacity: Low Temp. Electric Defrost - 60 Hz
21	Fan Data: Low Temp. Electric Defrost - 60 Hz
22	Application Capacity: Electric Defrost - 50 Hz
23	Fan Data: Electric Defrost - 50 Hz
24	Application Capacity: Electric Defrost High CFM - 60 Hz
25	Fan Data: Electric Defrost High CFM - 60 Hz
26	Unit Specifications
<b>34</b>	<b>Hot Gas Defrost</b>
34	Performance Data
34	Application Capacity: Low Temp. Hot Gas Defrost - 60 Hz
35	Fan Data: Low Temp. Hot Gas Defrost - 60 Hz
36	Application Capacity: Hot Gas Defrost - 50 Hz
37	Fan Data: Hot Gas Defrost - 50 Hz
38	Application Capacity: Hot Gas Defrost High CFM - 60 Hz
39	Fan Data: Hot Gas Defrost High CFM - 60 Hz
40	Unit Specifications
<b>48</b>	<b>Physical Data</b>
<b>51</b>	<b>Dimensional Drawings</b>
<b>53</b>	<b>DOE Rated AWEF</b>
53	AWEF Data
53	Air Defrost
54	Electric Defrost
55	Hot Gas Defrost
<b>56</b>	<b>Standard Nozzle Selection</b>
<b>60</b>	<b>Replacement Parts</b>

# FEATURES & BENEFITS

## GENERAL FEATURES

- Mill finish aluminum provides an attractive design and structurally sound cabinet
- Thermo-Flex (with five-year limited warranty) is innovative, eliminates leaks, and reduces risk of refrigerant loss
- Liquid line solenoid wiring harness for faster installation
- Suction Schrader fitting for easier suction temperature measurement
- Hinged drain pan and access panels for easy servicing
- Adjustable defrost control can be customized per application
- Long air throw is ideal for large warehouse and industrial applications
- Standardized terminal board for easier field wiring
- Improved wire management and routing for easier installation and service
- Complete hot gas defrost model offering meets more applications
- Quick reference QR code providing access to relevant product documentation

## ADDITIONAL FEATURES - MODELS MEETING MINIMUM AWEF

- 2 Speed EC motor, totally enclosed
- 850 RPM lower noise motor
- Balance heater load for electric defrost
- Air defrost terminal block

## CONTROL OPTIONS

- IntelliGen™ Refrigeration Controller (IRC) units come with a factory mounted controller, tested and calibrated with an electronic expansion valve, pressure transducer, temperature sensors, control board and user interface. Standard features include Door Sensor, Product Load Input and Alarm Output.
- Optional factory or field installable IntelliGen Multi-System Control Card (MSC) enables lead-lag control, Wi-Fi Direct connection, local and remote monitoring on any phone, tablet or PC.
- Optional factory or field installable IntelliGen Webserver Card (iWC) enables local and remote monitoring on any phone, tablet or PC.
- Optional factory or field installable IntelliGen Integration Card (iIC) enables connectivity to BACnet and Modbus.

## OPTIONS

- High CFM motor and fan combinations (208-230/3/60 and 460/3/60) \*
- Totally enclosed motors (208-230/3/60 and 460/3/60)
- Low temperature motors for blast cooling and freezing (for room temps -31°F to -50°F) \*
- Units available with Bronze-Glow coil coating (air, electric and hot gas)
- Units available with copper fins (6 FPI models only)
- Air defrost units available with polyester coated fins or various coil coating options
- Long air throw collars for large warehouse and industrial applications
- Insulated drain pan
- Factory installed mounted components are available in these configurations:
  - Pre-assembled units come with mounted TXV, liquid line solenoid valve and room thermostat
  - Mounted TXV
  - Mounted TXV and solenoid valve
  - Mounted room thermostat
- Defrost termination control
- Mounted fusing for motors and heaters
- More factory mounted features for easier field installation available, consult factory for details

OUTSTANDING FEATURES

**2-Speed EC motor** improves efficiency and provides more energy savings



**Hinged Access Panels** allow for easy access to components

**Balance Heater Load** improves reliability and generates more energy savings

**Hinged Drain Pan** improves access to service and clean the drain pan and coil

NOMENCLATURE

BTUH CAPACITY

MODELS MEET MINIMUM AWEF\*

- 0480 = 48,000
- 0540 = 53,800
- 0565 = 56,400
- 0630 = 63,000
- 0700 = 69,800
- 0730 = 72,700
- ...

MODELS DO NOT MEET MINIMUM AWEF\*\*

- 0373 = 40,000
- 0423 = 45,000
- 0473 = 48,000
- 0513 = 56,000
- ...

APPLICATION

- S = Standard Refrigerants
- C = CO<sub>2</sub><sup>†</sup>
- G = Glycol<sup>†</sup>

DEFROST STYLE

- A = Air Defrost
- E = Electric Defrost
- H = Hot Gas Defrost

VINTAGE

PRODUCT IDENTIFIER

- E = Evaporator

**C E H 0630 C S 6 A M A B0000**

BRAND

- C = Climate Control

EVAPORATOR STYLE

- H = High Profile (Large Unit Cooler, a.k.a. LUC)

VOLTAGE

- B = 208-230/1/60
- C = 208-230/3/60
- D = 460/3/60
- M = 460/1/60
- E = 575/3/60
- X = 380-400/3/50

FINS PER INCH (FPI)

- 6
- 4
- 8

MOTOR TYPE

- M = 2-Speed EC
- V = Variable speed EC Rail Mount
- H = High CFM Rail Mount
- P = PSC Open Drip Proof Rail Mount
- T = 3 Phase AC Totally Enclosed Rail Mount
- Y = 3 Phase AC Open Drip Proof Rail Mount

FACTORY-INSTALLED OPTION PACKAGES

- B#### = Preferred Option Packages
- D#### = A la Carte Options
- Y#### = Custom Option Packages

\* Models meet minimum AWEF have a model capacity digit that ends with "0" or "5". See the model capacity and AWEF data tables for applicable refrigerants.

\*\* Models do not meet minimum AWEF have a model capacity digit ending with "3"

† Call factory for Glycol and CO<sub>2</sub> models, special process required.

# PREFERRED OPTION PACKAGES

Package	Description (standard base model features + indicated options below)
<b>B0250</b>	Standard base + IntelliGen™ (R404A)
<b>B0251</b>	Standard base + IntelliGen™ (R448A/R449A)
<b>B0252</b>	Standard base + IntelliGen™ (R407A/F)
<b>B0253</b>	Standard base + IntelliGen™ (R407C)
<b>B0450</b>	Standard base + Mounted TXV (R404A)
<b>B0451</b>	Standard base + Mounted TXV + Solenoid (R404A)
<b>B0453</b>	Standard base + Mounted TXV (R407A)
<b>B0454</b>	Standard base + Mounted TXV + Solenoid (R407A)
<b>B0456</b>	Standard base + Mounted TXV (R448A)
<b>B0457</b>	Standard base + Mounted TXV + Solenoid (R448A)
<b>B0459</b>	Standard base + Mounted TXV (R407C)
<b>B0460</b>	Standard base + Mounted TXV + Solenoid (R407C)

## Capacity Correction Factors

Electric and Hot Gas Defrost Unit Only					
Saturated Suction Temperature °F	20	-10	-20	-30	-40
Saturated Suction Temperature °C	-7	-23	-29	-34	-40
Multiply Capacity By	1.15	1.04	1.00	0.9	0.8

# Models Meeting DOE Minimum AWEF

## PERFORMANCE DATA

Application Capacity: Air Defrost - 60 Hz

Please consult AWEF table on page 53 to confirm model meets DOE minimum AWEF

FPI	Model	Legacy Model	R-404A <sup>2</sup>		R-448A/R-449A		Fan Data				Air Throw	
			Application Capacity <sup>1</sup>		Application Capacity <sup>1</sup>		No. of Fans	Dia. in (mm)	CFM	m <sup>3</sup> H	Standard ft (m)	w/Collar ft (m)
			10°F TD 25°F SST	6°C TD -4°C SST	10°F TD 25°F SST	6°C TD -4°C SST						
6	CEH0570*S6AMA	CHA520	-	-	57,000	16,700	2	24 (610)	6,850	11,638	65 (20)	80 (24)
6	CEH0700*S6AMA	CHA520	-	-	69,800	20,500	2	24 (610)	6,850	11,638	65 (20)	80 (24)
6	CEH0755*S6AMA	CHA630	-	-	75,300	22,100	2	24 (610)	6,850	11,638	65 (20)	80 (24)
6	CEH0900*S6AMA	CHA750	-	-	90,000	26,400	3	24 (610)	10,800	18,349	65 (20)	80 (24)
6	CEH1080*S6AMA	CHA750	-	-	108,000	31,700	3	24 (610)	10,800	18,349	65 (20)	80 (24)
6	CEH1245*S6AMA	CHA850	-	-	124,400	36,500	3	24 (610)	10,800	18,349	65 (20)	80 (24)
6	CEH1445*S6AMA	CHA930	-	-	144,500	42,300	4	24 (610)	14,400	24,466	65 (20)	80 (24)
6	CEH1655*S6AMA	CHA1100	-	-	165,200	48,400	4	24 (610)	14,400	24,466	65 (20)	80 (24)
6	CEH0620*S6AMA	CHA540	46,000	13,500	62,000	18,200	1	30 (763)	6,330	10,755	75 (23)	90 (27)
6	CEH0730*S6AMA	CHA640	54,000	15,800	73,000	21,400	1	30 (763)	6,700	11,383	85 (26)	100 (30)
8	CEH0840*S8AMA	CHA720	61,000	17,900	84,000	24,600	1	30 (763)	6,480	11,010	80 (24)	95 (29)
6	CEH1250*S6AMA	CHA1000	91,000	26,700	125,000	36,600	2	30 (763)	12,660	21,509	75 (23)	90 (27)
6	CEH1470*S6AMA	CHA1270	108,000	31,700	147,000	43,100	2	30 (763)	13,400	22,767	85 (26)	100 (30)
6	CEH1870*S6AMA	CHA1610	137,000	40,200	187,000	54,800	3	30 (763)	24,300	41,286	100 (30)	115 (35)
6	CEH2200*S6AMA	CHA1900	162,000	47,500	220,000	64,500	3	30 (763)	26,550	45,109	120 (37)	140 (43)

FPI	Model	Legacy Model	R-407A/R-407F		R-407C		Fan Data				Air Throw	
			Application Capacity <sup>1</sup>		Application Capacity <sup>1</sup>		No. of Fans	Dia. in (mm)	CFM	m <sup>3</sup> H	Standard ft (m)	w/Collar ft (m)
			10°F TD 25°F SST	6°C TD -4°C SST	10°F TD 25°F SST	6°C TD -4°C SST						
6	CEH0570*S6AMA	CHA520	56200	16500	57600	16900	2	24 (610)	6,850	11,638	65 (20)	80 (24)
6	CEH0700*S6AMA	CHA520	68,800	20,200	70,500	20,700	2	24 (610)	6,850	11,638	65 (20)	80 (24)
6	CEH0755*S6AMA	CHA630	73,800	21,600	80,400	23,600	2	24 (610)	6,850	11,638	65 (20)	80 (24)
6	CEH0900*S6AMA	CHA750	87600	25700	91300	26800	3	24 (610)	10,800	18,349	65 (20)	80 (24)
6	CEH1080*S6AMA	CHA750	105,100	30,800	109,500	32,100	3	24 (610)	10,800	18,349	65 (20)	80 (24)
6	CEH1245*S6AMA	CHA850	121,000	35,500	126,200	37,000	3	24 (610)	10,800	18,349	65 (20)	80 (24)
6	CEH1445*S6AMA	CHA930	141,000	41,300	143,300	42,000	4	24 (610)	14,400	24,466	65 (20)	80 (24)
6	CEH1655*S6AMA	CHA1100	163,000	47,800	166,000	48,600	4	24 (610)	14,400	24,466	65 (20)	80 (24)
6	CEH0620*S6AMA	CHA540	62,000	18,200	62,000	18,200	1	30 (763)	6,330	10,755	75 (23)	90 (27)
6	CEH0730*S6AMA	CHA640	73,000	21,400	73,000	21,400	1	30 (763)	6,700	11,383	85 (26)	100 (30)
8	CEH0840*S8AMA	CHA720	84,000	24,600	84,000	24,600	1	30 (763)	6,480	11,010	80 (24)	95 (29)
6	CEH1250*S6AMA	CHA1000	125,000	36,600	125,000	36,600	2	30 (763)	12,660	21,509	75 (23)	90 (27)
6	CEH1470*S6AMA	CHA1270	147,000	43,100	147,000	43,100	2	30 (763)	13,400	22,767	85 (26)	100 (30)
6	CEH1870*S6AMA	CHA1610	187,000	54,800	187,000	54,800	3	30 (763)	24,300	41,286	100 (30)	115 (35)
6	CEH2200*S6AMA	CHA1900	220,000	64,500	220,000	64,500	3	30 (763)	26,550	45,109	120 (37)	140 (43)

**Notes:**  
<sup>1</sup> = Capacities shown are Application Capacities reflecting nominal operation at 10°F TD. For models within the scope of the DOE AWEF (Annual Walk-in Energy Factor) standard, the Net Capacity is determined by the AHRI 1250 test method. DOE will publish this compliance data at [www.regulations.doe.gov](http://www.regulations.doe.gov)  
<sup>2</sup> = R-404A capacities for 30 inch fan models use 700 RPM 2-speed EC motor kit. Capacities for R-448A/R-449A and R-407A/C/F use 850 RPM 2-speed EC motor kit.  
\* = Electrical Code Designator (see Nomenclature details)  
Net Capacity is available upon request

# Models Meeting DOE Minimum AWEF

## SPECIFICATIONS

Air Defrost - 60 Hz

Please consult AWEF table on page 53 to confirm model meets DOE minimum AWEF

FPI	Model	Fan Diameter	HP	2-Speed EC Motors							
				in (mm)	208-230/3/60				460/3/60		
		Amps			Watts	MCA	MOPD	Amps	Watts	MCA	MOPD
6	CEH0570*S6AMA	24 (610)	3/4	4.4	1,119	5.0	15	2.2	1,119	2.5	15
6	CEH0700*S6AMA	24 (610)	3/4	4.4	1,119	5.0	15	2.2	1,119	2.5	15
6	CEH0755*S6AMA	24 (610)	3/4	4.4	1,119	5.0	15	2.2	1,119	2.5	15
6	CEH0900*S6AMA	24 (610)	3/4	6.6	1,679	7.2	15	3.3	1,679	3.6	15
6	CEH1080*S6AMA	24 (610)	3/4	6.6	1,679	7.2	15	3.3	1,679	3.6	15
6	CEH1245*S6AMA	24 (610)	3/4	6.6	1,679	7.2	15	3.3	1,679	3.6	15
6	CEH1445*S6AMA	24 (610)	3/4	8.8	2,238	9.4	15	4.4	2,238	4.7	15
6	CEH1655*S6AMA	24 (610)	3/4	8.8	2,238	9.4	15	4.4	2,238	4.7	15
6	CEH0620*S6AMA	30 (763)	1-1/2	3.7	1,119	4.6	20	1.9	1,119	2.4	15
6	CEH0730*S6AMA	30 (763)	1-1/2	3.7	1,119	4.6	20	1.9	1,119	2.4	15
8	CEH0840*S8AMA	30 (763)	1-1/2	3.7	1,119	4.6	20	1.9	1,119	2.4	15
6	CEH1250*S6AMA	30 (763)	1-1/2	7.4	2,237	8.3	20	3.8	2,237	4.3	15
6	CEH1470*S6AMA	30 (763)	1-1/2	7.4	2,237	8.3	20	3.8	2,237	4.3	15
6	CEH1870*S6AMA	30 (763)	1-1/2	11.1	3,356	12.0	20	5.7	3,356	6.2	15
6	CEH2200*S6AMA	30 (763)	1-1/2	11.1	3,356	12.0	20	5.7	3,356	6.2	15

**Notes:**

\* = Electrical Code Designator (see Nomenclature details)



# Models Meeting DOE Minimum AWEF

## PERFORMANCE DATA

Application Capacity: Low Temperature Electric Defrost - 60 Hz

Please consult AWEF table on page 54 to confirm model meets DOE minimum AWEF

FPI	Model	Legacy Model	R-404A <sup>2</sup>		R-448A/R-449A		Fan Data				Air Throw	
			Application Capacity <sup>1</sup>		Application Capacity <sup>1</sup>		No. of Fans	Dia. in (mm)	CFM	m <sup>3</sup> H	Standard ft (m)	w/Collar ft (m)
			10°F TD -20°F SST	6°C TD -29°C SST	10°F TD -20°F SST	6°C TD -29°C SST						
6	CEH0540*S6EMA	CHE450	-	-	53,800	15,800	2	24 (610)	6,850	11,638	65 (20)	80 (24)
6	CEH0630*S6EMA	CHE550	49,000	14,400	63,000	18,500	2	24 (610)	6,850	11,638	65 (20)	80 (24)
6	CEH0805*S6EMA	CHE640	65,000	19,000	80,100	23,500	3	24 (610)	10,800	18,349	65 (20)	80 (24)
6	CEH0925*S6EMA	CHE740	73,000	21,400	92,300	27,100	3	24 (610)	10,800	18,349	65 (20)	80 (24)
6	CEH1125*S6EMA	CHE810	89,000	26,100	112,200	32,900	4	24 (610)	14,400	24,466	65 (20)	80 (24)
6	CEH1210*S6EMA	CHE950	94,000	27,500	120,700	35,400	4	24 (610)	14,400	24,466	65 (20)	80 (24)
4	CEH0480*S4EMA	CHL400	-	-	48,000	14,100	2	24 (610)	7,050	11,978	65 (20)	80 (24)
4	CEH0565*S4EMA	CHL480	-	-	56,400	16,500	2	24 (610)	7,050	11,978	65 (20)	80 (24)
4	CEH0730*S4EMA	CHL560	-	-	72,700	21,300	3	24 (610)	11,200	19,029	65 (20)	80 (24)
4	CEH0845*S4EMA	CHL650	-	-	84,300	24,700	3	24 (610)	11,200	19,029	65 (20)	80 (24)
4	CEH1010*S4EMA	CHL710	-	-	100,800	29,500	4	24 (610)	15,000	25,485	65 (20)	80 (24)
4	CEH1085*S4EMA	CHL840	-	-	108,300	31,700	4	24 (610)	15,000	25,485	65 (20)	80 (24)
6	CEH1340*S6EMA	CHE1200	102,000	29,900	134,000	39,300	3	30 (763)	20,700	35,170	100 (30)	115 (35)
6	CEH1560*S6EMA	CHE1390	118,000	34,600	156,000	45,700	3	30 (763)	24,300	41,286	100 (30)	115 (35)
6	CEH1820*S6EMA	CHE1650	140,000	41,000	182,000	53,300	3	30 (763)	26,550	45,109	120 (37)	140 (43)
6	CEH2330*S6EMA	CHE2120	180,000	52,800	233,000	68,300	4	30 (763)	35,400	60,145	120 (37)	140 (43)

FPI	Model	Legacy Model	R-407A/R-407F		R-407C		Fan Data				Air Throw	
			Application Capacity <sup>1</sup>		Application Capacity <sup>1</sup>		No. of Fans	Dia. in (mm)	CFM	m <sup>3</sup> H	Standard ft (m)	w/Collar ft (m)
			10°F TD -20°F SST	6°C TD -29°C SST	10°F TD -20°F SST	6°C TD -29°C SST						
6	CEH0540*S6EMA	CHE450	52,900	15,500	-	-	2	24 (610)	6,850	11,638	65 (20)	80 (24)
6	CEH0630*S6EMA	CHE550	61,600	18,100	-	-	2	24 (610)	6,850	11,638	65 (20)	80 (24)
6	CEH0805*S6EMA	CHE640	79,300	23,200	-	-	3	24 (610)	10,800	18,349	65 (20)	80 (24)
6	CEH0925*S6EMA	CHE740	91,400	26,800	-	-	3	24 (610)	10,800	18,349	65 (20)	80 (24)
6	CEH1125*S6EMA	CHE810	109,300	32,000	-	-	4	24 (610)	14,400	24,466	65 (20)	80 (24)
6	CEH1210*S6EMA	CHE950	117,500	34,400	-	-	4	24 (610)	14,400	24,466	65 (20)	80 (24)
4	CEH0480*S4EMA	CHL400	47,600	14,000	-	-	2	24 (610)	7,050	11,978	65 (20)	80 (24)
4	CEH0565*S4EMA	CHL480	55,900	16,400	-	-	2	24 (610)	7,050	11,978	65 (20)	80 (24)
4	CEH0730*S4EMA	CHL560	71,400	20,900	-	-	3	24 (610)	11,200	19,029	65 (20)	80 (24)
4	CEH0845*S4EMA	CHL650	83,100	24,400	-	-	3	24 (610)	11,200	19,029	65 (20)	80 (24)
4	CEH1010*S4EMA	CHL710	98,000	28,700	-	-	4	24 (610)	15,000	25,485	65 (20)	80 (24)
4	CEH1085*S4EMA	CHL840	106,600	31,200	-	-	4	24 (610)	15,000	25,485	65 (20)	80 (24)
6	CEH1340*S6EMA	CHE1200	134,000	39,300	-	-	3	30 (763)	20,700	35,170	100 (30)	115 (35)
6	CEH1560*S6EMA	CHE1390	156,000	45,700	-	-	3	30 (763)	24,300	41,286	100 (30)	115 (35)
6	CEH1820*S6EMA	CHE1650	182,000	53,300	-	-	3	30 (763)	26,550	45,109	120 (37)	140 (43)
6	CEH2330*S6EMA	CHE2120	233,000	68,300	-	-	4	30 (763)	35,400	60,145	120 (37)	140 (43)

**Notes:**  
<sup>1</sup> = Capacities shown are Application Capacities reflecting nominal operation at 10°F TD. For models within the scope of the DOE AWEF (Annual Walk-in Energy Factor) standard, the Net Capacity is determined by the AHRI 1250 test method. DOE will publish this compliance data at [www.regulations.doe.gov](http://www.regulations.doe.gov)  
<sup>2</sup> = R-404A capacities for 30 inch fan models use 700 RPM 2-speed EC motor kit. Capacities for R-448A/R-449A and R-407A/C/F use 850 RPM 2-speed EC motor kit.  
\* = Electrical Code Designator (see Nomenclature details)  
Net Capacity is available upon request



# Models Meeting DOE Minimum AWEF

## PERFORMANCE DATA

Application Capacity: Medium Temperature Electric Defrost - 60 Hz

Please consult AWEF table on page 54 to confirm model meets DOE minimum AWEF

FPI	Model	Legacy Model	R-404A/R-507A		R-448A/R-449A		Fan Data				Air Throw	
			Application Capacity <sup>1</sup>		Application Capacity <sup>1</sup>		No. of Fans	Dia. in (mm)	CFM	m <sup>3</sup> H	Standard ft (m)	w/Collar ft (m)
			10°F TD 25°F SST	6°C TD -4°C SST	10°F TD 25°F SST	6°C TD -4°C SST						
BTUH	Watts	BTUH	Watts									
6	CEH0540*S6EMA	CHE450	-	-	62,400	18,300	2	24 (610)	6,850	11,638	65 (20)	80 (24)
6	CEH0630*S6EMA	CHE550	-	-	73,100	21,400	2	24 (610)	6,850	11,638	65 (20)	80 (24)
6	CEH0805*S6EMA	CHE640	-	-	92,900	27,200	3	24 (610)	10,800	18,349	65 (20)	80 (24)
6	CEH0925*S6EMA	CHE740	-	-	107,100	31,400	3	24 (610)	10,800	18,349	65 (20)	80 (24)
6	CEH1125*S6EMA	CHE810	-	-	130,200	38,200	4	24 (610)	14,400	24,466	65 (20)	80 (24)
6	CEH1210*S6EMA	CHE950	-	-	140,000	41,000	4	24 (610)	14,400	24,466	65 (20)	80 (24)
4	CEH0480*S4EMA	CHL400	-	-	55,700	16,300	2	24 (610)	7,050	11,978	65 (20)	80 (24)
4	CEH0565*S4EMA	CHL480	-	-	65,400	19,200	2	24 (610)	7,050	11,978	65 (20)	80 (24)
4	CEH0730*S4EMA	CHL560	-	-	84,300	24,700	3	24 (610)	11,200	19,029	65 (20)	80 (24)
4	CEH0845*S4EMA	CHL650	-	-	97,800	28,700	3	24 (610)	11,200	19,029	65 (20)	80 (24)
4	CEH1010*S4EMA	CHL710	-	-	116,900	34,300	4	24 (610)	15,000	25,485	65 (20)	80 (24)
4	CEH1085*S4EMA	CHL840	-	-	125,600	36,800	4	24 (610)	15,000	25,485	65 (20)	80 (24)

FPI	Model	Legacy Model	R-407A/R-407F		R-407C		Fan Data				Air Throw	
			Application Capacity <sup>1</sup>		Application Capacity <sup>1</sup>		No. of Fans	Dia. in (mm)	CFM	m <sup>3</sup> H	Standard ft (m)	w/Collar ft (m)
			10°F TD 25°F SST	6°C TD -4°C SST	10°F TD 25°F SST	6°C TD -4°C SST						
BTUH	Watts	BTUH	Watts									
6	CEH0540*S6EMA	CHE450	61,400	18,000	-	-	2	24 (610)	6,850	11,638	65 (20)	80 (24)
6	CEH0630*S6EMA	CHE550	71,500	21,000	-	-	2	24 (610)	6,850	11,638	65 (20)	80 (24)
6	CEH0805*S6EMA	CHE640	92,000	27,000	-	-	3	24 (610)	10,800	18,349	65 (20)	80 (24)
6	CEH0925*S6EMA	CHE740	106,000	31,100	-	-	3	24 (610)	10,800	18,349	65 (20)	80 (24)
6	CEH1125*S6EMA	CHE810	126,800	37,200	-	-	4	24 (610)	14,400	24,466	65 (20)	80 (24)
6	CEH1210*S6EMA	CHE950	136,300	39,900	-	-	4	24 (610)	14,400	24,466	65 (20)	80 (24)
4	CEH0480*S4EMA	CHL400	55,200	16,200	-	-	2	24 (610)	7,050	11,978	65 (20)	80 (24)
4	CEH0565*S4EMA	CHL480	64,800	19,000	-	-	2	24 (610)	7,050	11,978	65 (20)	80 (24)
4	CEH0730*S4EMA	CHL560	82,800	24,300	-	-	3	24 (610)	11,200	19,029	65 (20)	80 (24)
4	CEH0845*S4EMA	CHL650	96,400	28,300	-	-	3	24 (610)	11,200	19,029	65 (20)	80 (24)
4	CEH1010*S4EMA	CHL710	113,700	33,300	-	-	4	24 (610)	15,000	25,485	65 (20)	80 (24)
4	CEH1085*S4EMA	CHL840	123,700	36,300	-	-	4	24 (610)	15,000	25,485	65 (20)	80 (24)

**Notes:**

<sup>1</sup> = Capacities shown are Application Capacities reflecting nominal operation at 10°F TD. For models within the scope of the DOE AWEF (Annual Walk-in Energy Factor) standard, the Net Capacity is determined by the AHRI 1250 test method. DOE will publish this compliance data at [www.regulations.doe.gov](http://www.regulations.doe.gov)

\* = Electrical Code Designator (see Nomenclature details)

Net Capacity is available upon request

## Models Meeting DOE Minimum AWEF

## SPECIFICATIONS

## Electric Defrost - 60 Hz

Please consult AWEF table on page 54 to confirm model meets DOE minimum AWEF

FPI	Model	Fan Diameter	HP	2-Speed EC Motor								Defrost Heaters		
		in (mm)		208-230/3/60				460/3/60				Watts	Total Amps	
				Amps	Watts	MCA	MOPD	Amps	Watts	MCA	MOPD		208-230/3/60	460/3/60
6	CEH0540*S6EMA	24 (610)	3/4	4.4	1,119	5.0	15	2.2	1,119	2.5	15	15,100	42.0	21.1
6	CEH0630*S6EMA	24 (610)	3/4	4.4	1,119	5.0	15	2.2	1,119	2.5	15	15,100	42.0	21.1
6	CEH0805*S6EMA	24 (610)	3/4	6.6	1,679	7.2	15	3.3	1,679	3.6	15	19,700	54.7	27.5
6	CEH0925*S6EMA	24 (610)	3/4	6.6	1,679	7.2	15	3.3	1,679	3.6	15	19,700	54.7	27.5
6	CEH1125*S6EMA	24 (610)	3/4	8.8	2,238	9.4	15	4.4	2,238	4.7	15	27,000	75.0	37.7
6	CEH1210*S6EMA	24 (610)	3/4	8.8	2,238	9.4	15	4.4	2,238	4.7	15	27,000	75.0	37.7
4	CEH0480*S4EMA	24 (610)	3/4	4.4	1,119	5.0	15	2.2	1,119	2.5	15	15,100	42.0	21.1
4	CEH0565*S4EMA	24 (610)	3/4	4.4	1,119	5.0	15	2.2	1,119	2.5	15	15,100	42.0	21.1
4	CEH0730*S4EMA	24 (610)	3/4	6.6	1,679	7.2	15	3.3	1,679	3.6	15	19,700	54.7	27.5
4	CEH0845*S4EMA	24 (610)	3/4	6.6	1,679	7.2	15	3.3	1,679	3.6	15	19,700	54.7	27.5
4	CEH1010*S4EMA	24 (610)	3/4	8.8	2,238	9.4	15	4.4	2,238	4.7	15	27,000	75.0	38.0
4	CEH1085*S4EMA	24 (610)	3/4	8.8	2,238	9.4	15	4.4	2,238	4.7	15	27,000	75.0	37.7
6	CEH1340*S6EMA	30 (763)	1-1/2	11.1	3,356	12.0	20	5.7	3,356	6.2	15	21,400	64.2	32.1
6	CEH1560*S6EMA	30 (763)	1-1/2	11.1	3,356	12.0	20	5.7	3,356	6.2	15	21,400	64.2	32.1
6	CEH1820*S6EMA	30 (763)	1-1/2	11.1	3,356	12.0	20	5.7	3,356	6.2	15	33,600	87.2	47.5
6	CEH2330*S6EMA	30 (763)	1-1/2	14.8	4,474	15.7	25	7.6	4,474	8.1	15	49,850	128.4	70

## Notes:

\* = Electrical Code Designator (see Nomenclature details)

# Models Meeting DOE Minimum AWEF

## PERFORMANCE DATA

Application Capacity: Low Temperature Hot Gas Defrost - 60 Hz

Please consult AWEF table on page 55 to confirm model meets DOE minimum AWEF

FPI	Model	Legacy Model	R-404A <sup>2</sup>		R-448A/R-449A		Fan Data				Air Throw	
			Application Capacity <sup>1</sup>		Application Capacity <sup>1</sup>		No. of Fans	Dia. in (mm)	CFM	m <sup>3</sup> H	Standard ft (m)	w/Collar ft (m)
			10°F TD -20°F SST	6°C TD -29°C SST	10°F TD -20°F SST	6°C TD -29°C SST						
			BTUH	Watts	BTUH	Watts						
6	CEH0540*S6HMA	CHG450	-	-	53,800	15,800	2	24 (610)	6,850	11,638	65 (20)	80 (24)
6	CEH0630*S6HMA	CHG550	49,000	14,400	63,000	18,500	2	24 (610)	6,850	11,638	65 (20)	80 (24)
6	CEH0805*S6HMA	CHG640	65,000	19,000	80,100	23,500	3	24 (610)	10,800	18,349	65 (20)	80 (24)
6	CEH0925*S6HMA	CHG740	73,000	21,400	92,300	27,100	3	24 (610)	10,800	18,349	65 (20)	80 (24)
6	CEH1125*S6HMA	CHG810	89,000	26,100	112,200	32,900	4	24 (610)	14,400	24,466	65 (20)	80 (24)
6	CEH1210*S6HMA	CHG950	94,000	27,500	120,700	35,400	4	24 (610)	14,400	24,466	65 (20)	80 (24)
4	CEH0480*S4HMA	CHF400	-	-	48,000	14,100	2	24 (610)	7,050	11,978	65 (20)	80 (24)
4	CEH0565*S4HMA	CHF480	-	-	56,400	16,500	2	24 (610)	7,050	11,978	65 (20)	80 (24)
4	CEH0730*S4HMA	CHF560	-	-	72,700	21,300	3	24 (610)	11,200	19,029	65 (20)	80 (24)
4	CEH0845*S4HMA	CHF650	-	-	84,300	24,700	3	24 (610)	11,200	19,029	65 (20)	80 (24)
4	CEH1010*S4HMA	CHF710	-	-	100,800	29,500	4	24 (610)	15,000	25,485	65 (20)	80 (24)
4	CEH1085*S4HMA	CHF840	-	-	108,300	31,700	4	24 (610)	15,000	25,485	65 (20)	80 (24)
6	CEH1340*S6HMA	CHG1200	102,000	29,900	134,000	39,300	3	30 (763)	20,700	35,170	100 (30)	115 (35)
6	CEH1560*S6HMA	CHG1390	118,000	34,600	156,000	45,700	3	30 (763)	24,300	41,286	100 (30)	115 (35)
6	CEH1820*S6HMA	CHG1650	140,000	41,000	182,000	53,300	3	30 (763)	26,550	45,109	120 (37)	140 (43)
6	CEH2330*S6HMA	CHG2120	180,000	52,800	233,000	68,300	4	30 (763)	35,400	60,145	120 (37)	140 (43)

FPI	Model	Legacy Model	R-407A/R-407F		R-407C		Fan Data				Air Throw	
			Application Capacity <sup>1</sup>		Application Capacity <sup>1</sup>		No. of Fans	Dia. in (mm)	CFM	m <sup>3</sup> H	Standard ft (m)	w/Collar ft (m)
			10°F TD -20°F SST	6°C TD -29°C SST	10°F TD -20°F SST	6°C TD -29°C SST						
			BTUH	Watts	BTUH	Watts						
6	CEH0540*S6HMA	CHG450	52,900	15,500	-	-	2	24 (610)	6,850	11,638	65 (20)	80 (24)
6	CEH0630*S6HMA	CHG550	61,600	18,100	-	-	2	24 (610)	6,850	11,638	65 (20)	80 (24)
6	CEH0805*S6HMA	CHG640	79,300	23,200	-	-	3	24 (610)	10,800	18,349	65 (20)	80 (24)
6	CEH0925*S6HMA	CHG740	91,400	26,800	-	-	3	24 (610)	10,800	18,349	65 (20)	80 (24)
6	CEH1125*S6HMA	CHG810	109,300	32,000	-	-	4	24 (610)	14,400	24,466	65 (20)	80 (24)
6	CEH1210*S6HMA	CHG950	117,500	34,400	-	-	4	24 (610)	14,400	24,466	65 (20)	80 (24)
4	CEH0480*S4HMA	CHF400	47,600	14,000	-	-	2	24 (610)	7,050	11,978	65 (20)	80 (24)
4	CEH0565*S4HMA	CHF480	55,900	16,400	-	-	2	24 (610)	7,050	11,978	65 (20)	80 (24)
4	CEH0730*S4HMA	CHF560	71,400	20,900	-	-	3	24 (610)	11,200	19,029	65 (20)	80 (24)
4	CEH0845*S4HMA	CHF650	83,100	24,400	-	-	3	24 (610)	11,200	19,029	65 (20)	80 (24)
4	CEH1010*S4HMA	CHF710	98,000	28,700	-	-	4	24 (610)	15,000	25,485	65 (20)	80 (24)
4	CEH1085*S4HMA	CHF840	106,600	31,200	-	-	4	24 (610)	15,000	25,485	65 (20)	80 (24)
6	CEH1340*S6HMA	CHG1200	134,000	39,300	-	-	3	30 (763)	20,700	35,170	100 (30)	115 (35)
6	CEH1560*S6HMA	CHG1390	156,000	45,700	-	-	3	30 (763)	24,300	41,286	100 (30)	115 (35)
6	CEH1820*S6HMA	CHG1650	182,000	53,300	-	-	3	30 (763)	26,550	45,109	120 (37)	140 (43)
6	CEH2330*S6HMA	CHG2120	233,000	68,300	-	-	4	30 (763)	35,400	60,145	120 (37)	140 (43)

**Notes:**  
<sup>1</sup> = Capacities shown are Application Capacities reflecting nominal operation at 10°F TD. For models within the scope of the DOE AWEF (Annual Walk-in Energy Factor) standard, the Net Capacity is determined by the AHRI 1250 test method. DOE will publish this compliance data at [www.regulations.doe.gov](http://www.regulations.doe.gov)  
<sup>2</sup> = R-404A capacities for 30 inch fan models use 700 RPM 2-speed EC motor kit. Capacities for R-448A/R-449A and R-407A/C/F use 850 RPM 2-speed EC motor kit.  
\* = Electrical Code Designator (see Nomenclature details)  
Net Capacity is available upon request

## Models Meeting DOE Minimum AWEF

# PERFORMANCE DATA

Application Capacity: Medium Temperature Hot Gas Defrost - 60 Hz

Please consult AWEF table on page 55 to confirm model meets DOE minimum AWEF

FPI	Model	Legacy Model	R-404A/R-507A		R-448A/R-449A		Fan Data				Air Throw	
			Application Capacity <sup>1</sup>		Application Capacity <sup>1</sup>							
			10°F TD 25°F SST	6°C TD -4°C SST	10°F TD 25°F SST	6°C TD -4°C SST	No. of Fans	Dia. in (mm)	CFM	m <sup>3</sup> H	Standard ft (m)	w/Collar ft (m)
			BTUH	Watts	BTUH	Watts						
6	CEH0540*S6HMA	CHG450	-	-	62,400	18,300	2	24 (610)	6,850	11,638	65 (20)	80 (24)
6	CEH0630*S6HMA	CHG550	-	-	73,100	21,400	2	24 (610)	6,850	11,638	65 (20)	80 (24)
6	CEH0805*S6HMA	CHG640	-	-	92,900	27,200	3	24 (610)	10,800	18,349	65 (20)	80 (24)
6	CEH0925*S6HMA	CHG740	-	-	107,100	31,400	3	24 (610)	10,800	18,349	65 (20)	80 (24)
6	CEH1125*S6HMA	CHG810	-	-	130,200	38,200	4	24 (610)	14,400	24,466	65 (20)	80 (24)
6	CEH1210*S6HMA	CHG950	-	-	140,000	41,000	4	24 (610)	14,400	24,466	65 (20)	80 (24)
4	CEH0480*S4HMA	CHF400	-	-	55,700	16,300	2	24 (610)	7,050	11,978	65 (20)	80 (24)
4	CEH0565*S4HMA	CHF480	-	-	65,400	19,200	2	24 (610)	7,050	11,978	65 (20)	80 (24)
4	CEH0730*S4HMA	CHF560	-	-	84,300	24,700	3	24 (610)	11,200	19,029	65 (20)	80 (24)
4	CEH0845*S4HMA	CHF650	-	-	97,800	28,700	3	24 (610)	11,200	19,029	65 (20)	80 (24)
4	CEH1010*S4HMA	CHF710	-	-	116,900	34,300	4	24 (610)	15,000	25,485	65 (20)	80 (24)
4	CEH1085*S4HMA	CHF840	-	-	125,600	36,800	4	24 (610)	15,000	25,485	65 (20)	80 (24)

FPI	Model	Legacy Model	R-407A/R-407F		R-407C		Fan Data				Air Throw	
			Application Capacity <sup>1</sup>		Application Capacity <sup>1</sup>							
			10°F TD 25°F SST	6°C TD -4°C SST	10°F TD 25°F SST	6°C TD -4°C SST	No. of Fans	Dia. in (mm)	CFM	m <sup>3</sup> H	Standard ft (m)	w/Collar ft (m)
			BTUH	Watts	BTUH	Watts						
6	CEH0540*S6HMA	CHG450	61,400	18,000	-	-	2	24 (610)	6,850	11,638	65 (20)	80 (24)
6	CEH0630*S6HMA	CHG550	71,500	21,000	-	-	2	24 (610)	6,850	11,638	65 (20)	80 (24)
6	CEH0805*S6HMA	CHG640	92,000	27,000	-	-	3	24 (610)	10,800	18,349	65 (20)	80 (24)
6	CEH0925*S6HMA	CHG740	106,000	31,100	-	-	3	24 (610)	10,800	18,349	65 (20)	80 (24)
6	CEH1125*S6HMA	CHG810	126,800	37,200	-	-	4	24 (610)	14,400	24,466	65 (20)	80 (24)
6	CEH1210*S6HMA	CHG950	136,300	39,900	-	-	4	24 (610)	14,400	24,466	65 (20)	80 (24)
4	CEH0480*S4HMA	CHF400	55,200	16,200	-	-	2	24 (610)	7,050	11,978	65 (20)	80 (24)
4	CEH0565*S4HMA	CHF480	64,800	19,000	-	-	2	24 (610)	7,050	11,978	65 (20)	80 (24)
4	CEH0730*S4HMA	CHF560	82,800	24,300	-	-	3	24 (610)	11,200	19,029	65 (20)	80 (24)
4	CEH0845*S4HMA	CHF650	96,400	28,300	-	-	3	24 (610)	11,200	19,029	65 (20)	80 (24)
4	CEH1010*S4HMA	CHF710	113,700	33,300	-	-	4	24 (610)	15,000	25,485	65 (20)	80 (24)
4	CEH1085*S4HMA	CHF840	123,700	36,300	-	-	4	24 (610)	15,000	25,485	65 (20)	80 (24)

**Notes:**

<sup>1</sup> = Capacities shown are Application Capacities reflecting nominal operation at 10°F TD. For models within the scope of the DOE AWEF (Annual Walk-in Energy Factor) standard, the Net Capacity is determined by the AHRI 1250 test method. DOE will publish this compliance data at [www.regulations.doe.gov](http://www.regulations.doe.gov)

\* = Electrical Code Designator (see Nomenclature details)

Net Capacity is available upon request

# Models Meeting DOE Minimum AWEF

## SPECIFICATIONS

Hot Gas Defrost - 60 Hz

Please consult AWEF table on page 55 to confirm model meets DOE minimum AWEF

FPI	Model	Fan Diameter	HP	2-Speed EC Motors								Drain Pan Heaters <sup>†</sup>		
		in (mm)		208-230/3/60				460/3/60				Watts	Total Amps	
				Amps	Watts	MCA	MOPD	Amps	Watts	MCA	MOPD		208-230/3/60	460/1/60
6	CEH0540*S6HMA	24 (610)	3/4	4.4	1,119	5.0	15	2.2	1,119	2.5	15	2,100	9.2	4.6
6	CEH0630*S6HMA	24 (610)	3/4	4.4	1,119	5.0	15	2.2	1,119	2.5	15	2,100	9.2	4.6
6	CEH0805*S6HMA	24 (610)	3/4	6.6	1,679	7.2	15	3.3	1,679	3.6	15	2,700	11.8	5.9
6	CEH0925*S6HMA	24 (610)	3/4	6.6	1,679	7.2	15	3.3	1,679	3.6	15	2,700	11.8	5.9
6	CEH1125*S6HMA	24 (610)	3/4	8.8	2,238	9.4	15	4.4	2,238	4.7	15	4,000	17.4	8.7
6	CEH1210*S6HMA	24 (610)	3/4	8.8	2,238	9.4	15	4.4	2,238	4.7	15	4,000	17.4	8.7
4	CEH0480*S4HMA	24 (610)	3/4	4.4	1,119	5.0	15	2.2	1,119	2.5	15	2,100	9.2	4.6
4	CEH0565*S4HMA	24 (610)	3/4	4.4	1,119	5.0	15	2.2	1,119	2.5	15	2,100	9.2	4.6
4	CEH0730*S4HMA	24 (610)	3/4	6.6	1,679	7.2	15	3.3	1,679	3.6	15	2,700	11.8	5.9
4	CEH0845*S4HMA	24 (610)	3/4	6.6	1,679	7.2	15	3.3	1,679	3.6	15	2,700	11.8	5.9
4	CEH1010*S4HMA	24 (610)	3/4	8.8	2,238	9.4	15	4.4	2,238	4.7	15	4,000	17.4	8.7
4	CEH1085*S4HMA	24 (610)	3/4	8.8	2,238	9.4	15	4.4	2,238	4.7	15	4,000	17.4	8.7
6	CEH1340*S6HMA	30 (763)	1-1/2	11.1	3,356	12.0	20	5.7	3,356	6.2	15	4,000	17.4	8.7
6	CEH1560*S6HMA	30 (763)	1-1/2	11.1	3,356	12.0	20	5.7	3,356	6.2	15	4,000	17.4	8.7
6	CEH1820*S6HMA	30 (763)	1-1/2	11.1	3,356	12.0	20	5.7	3,356	6.2	15	4,200	18.2	9.1
6	CEH2330*S6HMA	30 (763)	1-1/2	14.8	4,474	15.7	25	7.6	4,474	8.1	15	6,450	23.2**	14.0

**Notes:**

\* = Electrical Code Designator (see Nomenclature details)

\*\* = This model with 3-phase drain pan heaters

† = Hot gas drain pan available

# Models Not Meeting DOE Minimum AWEF

## PERFORMANCE DATA

Application Capacity: Air Defrost - 60 Hz

FPI	Model	Legacy Model	R-404A/R-507A		R-448A/R-449A		Fan Data				Air Throw	
			Application Capacity <sup>1</sup>		Application Capacity <sup>1</sup>		No. of Fans	Dia. in (mm)	CFM	m <sup>3</sup> H	Standard ft (m)	w/Collar ft (m)
			10°F TD 25°F SST	6°C TD -4°C SST	10°F TD 25°F SST	6°C TD -4°C SST						
			BTUH	Watts	BTUH	Watts						
6	CEH0553*S6A^A	CHA520	52,000	15,200	58,000	17,000	2	24 (610)	9,000	15,291	70 (21)	85 (26)
6	CEH0723*S6A^A	CHA630	63,000	18,500	72,000	21,100	2	24 (610)	9,000	15,291	70 (21)	85 (26)
6	CEH0743*S6A^A	CHA750	75,000	22,000	86,000	25,200	3	24 (610)	12,600	21,408	70 (21)	85 (26)
6	CEH0933*S6A^A	CHA850	85,000	24,900	97,000	28,400	3	24 (610)	12,600	21,408	70 (21)	85 (26)
6	CEH1053*S6A^A	CHA930	93,000	27,300	104,000	30,500	4	24 (610)	16,800	28,543	70 (21)	85 (26)
6	CEH1313*S6A^A	CHA1100	110,000	32,200	125,000	36,600	4	24 (610)	16,800	28,543	70 (21)	85 (26)
6	CEH1333*S6A^A	CHA1170	117,000	34,300	133,000	39,000	3	30 (763)	20,700	35,170	100 (30)	115 (35)
6	CEH1623*S6A^A	CHA1400	140,000	41,000	162,000	47,500	3	30 (763)	20,700	35,170	100 (30)	115 (35)
6	CEH1873*S6A^A	CHA1610	161,000	47,200	187,000	54,800	3	30 (763)	24,300	41,286	100 (30)	115 (35)
6	CEH2203*S6A^A	CHA1900	190,000	55,700	220,000	64,500	3	30 (763)	26,550	45,109	120 (37)	140 (43)
6	CEH2553*S6A^A	CHA2200	220,000	64,500	255,000	74,700	4	30 (763)	30,400	51,650	120 (37)	140 (43)
6	CEH2883*S6A^A	CHA2440	244,000	71,500	288,000	84,400	4	30 (763)	35,400	60,145	120 (37)	140 (43)
8	CEH2513*S8A^A	CHA2160	216,000	63,300	251,000	73,600	3	30 (763)	25,950	44,089	120 (37)	140 (43)
8	CEH2953*S8A^A	CHA2500	250,000	73,300	295,000	86,500	4	30 (763)	29,600	50,291	120 (37)	140 (43)
8	CEH3283*S8A^A	CHA2780	278,000	81,500	328,000	96,100	4	30 (763)	34,600	58,786	120 (37)	140 (43)

FPI	Model	Legacy Model	R-407A/R-407F		R-407C		Fan Data				Air Throw	
			Application Capacity <sup>1</sup>		Application Capacity <sup>1</sup>		No. of Fans	Dia. in (mm)	CFM	m <sup>3</sup> H	Standard ft (m)	w/Collar ft (m)
			10°F TD 25°F SST	6°C TD -4°C SST	10°F TD 25°F SST	6°C TD -4°C SST						
			BTUH	Watts	BTUH	Watts						
6	CEH0553*S6A^A	CHA520	58,000	17,000	58,000	17,000	2	24 (610)	9,000	15,291	70 (21)	85 (26)
6	CEH0723*S6A^A	CHA630	72,000	21,100	72,000	21,100	2	24 (610)	9,000	15,291	70 (21)	85 (26)
6	CEH0743*S6A^A	CHA750	86,000	25,200	86,000	25,200	3	24 (610)	12,600	21,408	70 (21)	85 (26)
6	CEH0933*S6A^A	CHA850	97,000	28,400	97,000	28,400	3	24 (610)	12,600	21,408	70 (21)	85 (26)
6	CEH1053*S6A^A	CHA930	104,000	30,500	104,000	30,500	4	24 (610)	16,800	28,543	70 (21)	85 (26)
6	CEH1313*S6A^A	CHA1100	125,000	36,600	125,000	36,600	4	24 (610)	16,800	28,543	70 (21)	85 (26)
6	CEH1333*S6A^A	CHA1170	133,000	39,000	133,000	39,000	3	30 (763)	20,700	35,170	100 (30)	115 (35)
6	CEH1623*S6A^A	CHA1400	162,000	47,500	162,000	47,500	3	30 (763)	20,700	35,170	100 (30)	115 (35)
6	CEH1873*S6A^A	CHA1610	187,000	54,800	187,000	54,800	3	30 (763)	24,300	41,286	100 (30)	115 (35)
6	CEH2203*S6A^A	CHA1900	220,000	64,500	220,000	64,500	3	30 (763)	26,550	45,109	120 (37)	140 (43)
6	CEH2553*S6A^A	CHA2200	255,000	74,700	255,000	74,700	4	30 (763)	30,400	51,650	120 (37)	140 (43)
6	CEH2883*S6A^A	CHA2440	288,000	84,400	288,000	84,400	4	30 (763)	35,400	60,145	120 (37)	140 (43)
8	CEH2513*S8A^A	CHA2160	251,000	73,600	251,000	73,600	3	30 (763)	25,950	44,089	120 (37)	140 (43)
8	CEH2953*S8A^A	CHA2500	295,000	86,500	295,000	86,500	4	30 (763)	29,600	50,291	120 (37)	140 (43)
8	CEH3283*S8A^A	CHA2780	328,000	96,100	328,000	96,100	4	30 (763)	34,600	58,786	120 (37)	140 (43)

**Notes:**  
<sup>1</sup> = Capacities shown are Application Capacities reflecting nominal operation at 10°F TD. For models within the scope of the DOE AWEF (Annual Walk-in Energy Factor) standard, the Net Capacity is determined by the AHRI 1250 test method. DOE will publish this compliance data at [www.regulations.doe.gov](http://www.regulations.doe.gov)  
 \* = Electrical Code Designator (see Nomenclature details)  
 ^ = Motor Code Designator (see Nomenclature details)



## Models Not Meeting DOE Minimum AWEF

# PERFORMANCE DATA

Application Capacity: Air Defrost - 50 Hz

FPI	Model	Legacy Model	R-404A/R-507A		R-448A/R-449A		Fan Data				Air Throw	
			Application Capacity <sup>1</sup>		Application Capacity <sup>1</sup>							
			10°F TD 25°F SST	6°C TD -4°C SST	10°F TD 25°F SST	6°C TD -4°C SST	No. of Fans	Dia. in (mm)	CFM	m <sup>3</sup> H	Standard ft (m)	w/Collar ft (m)
			BTUH	Watts	BTUH	Watts						
6	CEH0553*S6A^A	CHA520	47,800	14,000	53,400	15,600	2	24 (610)	8,100	13,762	70 (21)	85 (26)
6	CEH0723*S6A^A	CHA630	58,000	17,000	66,200	19,400	2	24 (610)	8,100	13,762	70 (21)	85 (26)
6	CEH0743*S6A^A	CHA750	69,000	20,200	79,100	23,200	3	24 (610)	11,300	19,199	70 (21)	85 (26)
6	CEH0933*S6A^A	CHA850	78,200	22,900	89,200	26,100	3	24 (610)	11,300	19,199	70 (21)	85 (26)
6	CEH1053*S6A^A	CHA930	85,600	25,100	95,700	28,000	4	24 (610)	15,100	25,655	70 (21)	85 (26)
6	CEH1313*S6A^A	CHA1100	101,200	29,700	115,000	33,700	4	24 (610)	15,100	25,655	70 (21)	85 (26)
6	CEH1333*S6A^A	CHA1170	107,600	31,500	122,400	35,900	3	30 (763)	18,600	31,602	90 (27)	100 (30)
6	CEH1623*S6A^A	CHA1400	128,800	37,700	149,000	43,700	3	30 (763)	18,600	31,602	90 (27)	100 (30)
6	CEH1873*S6A^A	CHA1610	148,100	43,400	172,000	50,400	3	30 (763)	21,900	37,208	90 (27)	100 (30)
6	CEH2203*S6A^A	CHA1900	174,800	51,200	202,400	59,300	3	30 (763)	23,900	40,606	110 (34)	130 (40)
6	CEH2553*S6A^A	CHA2200	198,700	58,200	230,900	67,700	4	30 (763)	27,400	46,553	110 (34)	130 (40)
6	CEH2883*S6A^A	CHA2440	202,400	59,300	234,600	68,800	4	30 (763)	31,900	54,198	110 (34)	130 (40)
8	CEH2513*S8A^A	CHA2160	224,500	65,800	265,000	77,700	3	30 (763)	23,400	39,757	110 (34)	130 (40)
8	CEH2953*S8A^A	CHA2500	230,000	67,400	271,400	79,500	4	30 (763)	26,700	45,364	110 (34)	130 (40)
8	CEH3283*S8A^A	CHA2780	255,800	75,000	301,800	88,400	4	30 (763)	31,200	53,009	110 (34)	130 (40)

FPI	Model	Legacy Model	R-407A/R-407F		R-407C		Fan Data				Air Throw	
			Application Capacity <sup>1</sup>		Application Capacity <sup>1</sup>							
			10°F TD 25°F SST	6°C TD -4°C SST	10°F TD 25°F SST	6°C TD -4°C SST	No. of Fans	Dia. in (mm)	CFM	m <sup>3</sup> H	Standard ft (m)	w/Collar ft (m)
			BTUH	Watts	BTUH	Watts						
6	CEH0553*S6A^A	CHA520	53,400	15,600	53,400	15,600	2	24 (610)	8,100	13,762	70 (21)	85 (26)
6	CEH0723*S6A^A	CHA630	66,200	19,400	66,200	19,400	2	24 (610)	8,100	13,762	70 (21)	85 (26)
6	CEH0743*S6A^A	CHA750	79,100	23,200	79,100	23,200	3	24 (610)	11,300	19,199	70 (21)	85 (26)
6	CEH0933*S6A^A	CHA850	89,200	26,100	89,200	26,100	3	24 (610)	11,300	19,199	70 (21)	85 (26)
6	CEH1053*S6A^A	CHA930	95,700	28,000	95,700	28,000	4	24 (610)	15,100	25,655	70 (21)	85 (26)
6	CEH1313*S6A^A	CHA1100	115,000	33,700	115,000	33,700	4	24 (610)	15,100	25,655	70 (21)	85 (26)
6	CEH1333*S6A^A	CHA1170	122,400	35,900	122,400	35,900	3	30 (763)	18,600	31,602	90 (27)	100 (30)
6	CEH1623*S6A^A	CHA1400	149,000	43,700	149,000	43,700	3	30 (763)	18,600	31,602	90 (27)	100 (30)
6	CEH1873*S6A^A	CHA1610	172,000	50,400	172,000	50,400	3	30 (763)	21,900	37,208	90 (27)	100 (30)
6	CEH2203*S6A^A	CHA1900	202,400	59,300	202,400	59,300	3	30 (763)	23,900	40,606	110 (34)	130 (40)
6	CEH2553*S6A^A	CHA2200	230,900	67,700	230,900	67,700	4	30 (763)	27,400	46,553	110 (34)	130 (40)
6	CEH2883*S6A^A	CHA2440	234,600	68,800	234,600	68,800	4	30 (763)	31,900	54,198	110 (34)	130 (40)
8	CEH2513*S8A^A	CHA2160	265,000	77,700	265,000	77,700	3	30 (763)	23,400	39,757	110 (34)	130 (40)
8	CEH2953*S8A^A	CHA2500	271,400	79,500	271,400	79,500	4	30 (763)	26,700	45,364	110 (34)	130 (40)
8	CEH3283*S8A^A	CHA2780	301,800	88,400	301,800	88,400	4	30 (763)	31,200	53,009	110 (34)	130 (40)

### Notes:

<sup>1</sup> = Capacities shown are Application Capacities reflecting nominal operation at 10°F TD. For models within the scope of the DOE AWEF (Annual Walk-in Energy Factor) standard, the Net Capacity is determined by the AHRI 1250 test method. DOE will publish this compliance data at [www.regulations.doe.gov](http://www.regulations.doe.gov)

\* = Electrical Code Designator (see Nomenclature details)

^ = Motor Code Designator (see Nomenclature details)

## Models Not Meeting DOE Minimum AWEF

## SPECIFICATIONS

Air Defrost - 60 Hz

FPI	Model	Fan Diameter	HP	2-Speed EC and Variable Speed EC Motors							
		in (mm)		208-230/3/60				460/3/60			
				Amps	Watts	MCA	MOPD	Amps	Watts	MCA	MOPD
6	CEH0553*S6A^A	24 (610)	3/4	4.4	1,119.0	5.0	15.0	2.2	1,119.0	2.5	15.0
6	CEH0723*S6A^A	24 (610)	3/4	4.4	1,119.0	5.0	15.0	2.2	1,119.0	2.5	15.0
6	CEH0743*S6A^A	24 (610)	3/4	6.6	1,678.5	7.2	15.0	3.3	1,678.5	3.6	15.0
6	CEH0933*S6A^A	24 (610)	3/4	6.6	1,678.5	7.2	15.0	3.3	1,678.5	3.6	15.0
6	CEH1053*S6A^A	24 (610)	3/4	8.8	2,238.0	9.4	15.0	4.4	2,238.0	4.7	15.0
6	CEH1313*S6A^A	24 (610)	3/4	8.8	2,238.0	9.4	15.0	4.4	2,238.0	4.7	15.0
6	CEH1333*S6A^A	30 (763)	1-1/2	11.1	3,356.0	12.0	20	5.7	3,356.0	6.2	15
6	CEH1623*S6A^A	30 (763)	1-1/2	11.1	3,356.0	12.0	20	5.7	3,356.0	6.2	15
6	CEH1873*S6A^A	30 (763)	1-1/2	11.1	3,356.0	12.0	20	5.7	3,356.0	6.2	15
6	CEH2203*S6A^A	30 (763)	1-1/2	11.1	3,356.0	12.0	20	5.7	3,356.0	6.2	15
6	CEH2553*S6A^A	30 (763)	1-1/2	14.8	4,474.0	15.7	25	7.6	4,474.0	8.1	15
6	CEH2883*S6A^A	30 (763)	1-1/2	14.8	4,474.0	15.7	25	7.6	4,474.0	8.1	15
8	CEH2513*S8A^A	30 (763)	1-1/2	11.1	3,356.0	12.0	20	5.7	3,356.0	6.2	15
8	CEH2953*S8A^A	30 (763)	1-1/2	14.8	4,474.0	15.7	25	7.6	4,474.0	8.1	15
8	CEH3283*S8A^A	30 (763)	1-1/2	14.8	4,474.0	15.7	25	7.6	4,474.0	8.1	15

## Notes:

\* = Electrical Code Designator (see Nomenclature details)

^ = Motor Code Designator (see Nomenclature details)

# Models Not Meeting DOE Minimum AWEF

## SPECIFICATIONS

Air Defrost - 60 Hz

FPI	Model	Fan Diameter	HP	3 Phase AC Open Drip Proof Rail Mount							
		in (mm)		208-230/3/60				460/3/60			
				Amps	Watts	MCA	MOPD	Amps	Watts	MCA	MOPD
6	CEH0553*S6A^A	24 (610)	3/4	8.0	1,119.0	9.0	20.0	4.0	1,119.0	4.5	15.0
6	CEH0723*S6A^A	24 (610)	3/4	8.0	1,119.0	9.0	20.0	4.0	1,119.0	4.5	15.0
6	CEH0743*S6A^A	24 (610)	3/4	12.0	1,678.5	13.0	25.0	6.0	1,678.5	6.5	15.0
6	CEH0933*S6A^A	24 (610)	3/4	12.0	1,678.5	13.0	25.0	6.0	1,678.5	6.5	15.0
6	CEH1053*S6A^A	24 (610)	3/4	16.0	2,238.0	17.0	30.0	8.0	2,238.0	8.5	15.0
6	CEH1313*S6A^A	24 (610)	3/4	16.0	2,238.0	17.0	30.0	8.0	2,238.0	8.5	15.0
6	CEH1333*S6A^A	30 (763)	1	13.8	2,237.0	15.0	25.0	6.9	2,237.0	7.5	15.0
6	CEH1623*S6A^A	30 (763)	1	13.8	2,237.0	15.0	25.0	6.9	2,237.0	7.5	15.0
6	CEH1873*S6A^A	30 (763)	1-1/2	19.8	3,356.0	21.5	40.0	9.9	3,356.0	10.7	20.0
6	CEH2203*S6A^A	30 (763)	1-1/2	21.0	3,356.0	22.8	40.0	10.5	3,356.0	11.4	20.0
6	CEH2553*S6A^A	30 (763)	1-1/2	26.4	4,474.0	28.1	45.0	10.5	4,474.0	11.2	15.0
6	CEH2883*S6A^A	30 (763)	1-1/2	28.0	4,474.0	29.8	45.0	13.2	4,474.0	14.0	20.0
8	CEH2513*S8A^A	30 (763)	1-1/2	21.0	3,356.0	22.8	40.0	14.0	3,356.0	15.2	25.0
8	CEH2953*S8A^A	30 (763)	1-1/2	26.4	4,474.0	28.1	45.0	13.2	4,474.0	14.0	20.0
8	CEH3283*S8A^A	30 (763)	1-1/2	28.0	4,474.0	29.8	45.0	14.0	4,474.0	14.9	25.0

FPI	Model	Fan Diameter	HP	3 Phase AC Totally Enclosed Rail Mount							
		in (mm)		208-230/3/60				460/3/60			
				Amps	Watts	MCA	MOPD	Amps	Watts	MCA	MOPD
6	CEH0553*S6A^A	24 (610)	1	6.0	1,492.0	6.8	20.0	3.0	1,492.0	3.4	15.0
6	CEH0723*S6A^A	24 (610)	1	6.0	1,492.0	6.8	20.0	3.0	1,492.0	3.4	15.0
6	CEH0743*S6A^A	24 (610)	1	9.0	2,238.0	9.8	20.0	4.5	2,238.0	4.9	15.0
6	CEH0933*S6A^A	24 (610)	1	9.0	2,238.0	9.8	20.0	4.5	2,238.0	4.9	15.0
6	CEH1053*S6A^A	24 (610)	1	12.0	2,984.0	12.8	20.0	6.0	2,984.0	6.4	15.0
6	CEH1313*S6A^A	24 (610)	1	12.0	2,984.0	12.8	20.0	6.0	2,984.0	6.4	15.0
6	CEH1333*S6A^A	30 (763)	1-1/2	19.8	3,356.0	21.5	40.0	9.9	3,356.0	10.7	20.0
6	CEH1623*S6A^A	30 (763)	1-1/2	19.8	3,356.0	21.5	40.0	9.9	3,356.0	10.7	20.0
6	CEH1873*S6A^A	30 (763)	1-1/2	19.8	3,356.0	21.5	40.0	9.9	3,356.0	10.7	20.0
6	CEH2203*S6A^A	30 (763)	1-1/2	19.8	3,356.0	21.5	40.0	9.9	3,356.0	10.7	20.0
6	CEH2553*S6A^A	30 (763)	1-1/2	26.4	4,474.0	28.1	45.0	13.2	4,474.0	14.0	20.0
6	CEH2883*S6A^A	30 (763)	1-1/2	26.4	4,474.0	28.1	45.0	13.2	4,474.0	14.0	20.0
8	CEH2513*S8A^A	30 (763)	1-1/2	19.8	3,356.0	21.5	40.0	9.9	3,356.0	10.7	20.0
8	CEH2953*S8A^A	30 (763)	1-1/2	26.4	4,474.0	28.1	45.0	13.2	4,474.0	14.0	20.0
8	CEH3283*S8A^A	30 (763)	1-1/2	26.4	4,474.0	28.1	45.0	13.2	4,474.0	14.0	20.0

**Notes:**  
 \* = Electrical Code Designator (see Nomenclature details)  
 ^ = Motor Code Designator (see Nomenclature details)

## Models Not Meeting DOE Minimum AWEF

## SPECIFICATIONS

Air Defrost - 60 Hz

FPI	Model	Fan Diameter	3 Phase AC Totally Enclosed Rail Mount				
		in (mm)	HP	575/3/60			
				Amps	Watts	MCA	MOPD
6	CEH0553*S6A^A	24 (610)	1/2	1.8	746.0	2.0	15.0
6	CEH0723*S6A^A	24 (610)	1/2	1.8	746.0	2.0	15.0
6	CEH0743*S6A^A	24 (610)	1/2	2.7	1,119.0	2.9	15.0
6	CEH0933*S6A^A	24 (610)	1/2	2.7	1,119.0	2.9	15.0
6	CEH1053*S6A^A	24 (610)	1/2	3.6	1,492.0	3.8	15.0
6	CEH1313*S6A^A	24 (610)	1/2	3.6	1,492.0	3.8	15.0
6	CEH2203*S6A^A	30 (763)	1-1/2	8.4	3,356.0	9.1	15.0
6	CEH2883*S6A^A	30 (763)	1-1/2	11.2	4,474.0	11.9	20.0
8	CEH2513*S8A^A	30 (763)	1-1/2	8.4	3,356.0	9.1	15.0
8	CEH3283*S8A^A	30 (763)	1-1/2	11.2	4,474.0	11.9	20.0

FPI	Model	Fan Diameter	3 Phase AC Open Drip Proof Rail Mount				
		in (mm)	HP	575/3/60			
				Amps	Watts	MCA	MOPD
6	CEH1333*S6A^A	30 (763)	1-1/2	7.8	2,237.0	8.5	15.0
6	CEH1623*S6A^A	30 (763)	1-1/2	7.8	2,237.0	8.5	15.0
6	CEH1873*S6A^A	30 (763)	1-1/2	7.8	3,356.0	8.5	15.0
6	CEH2553*S6A^A	30 (763)	1-1/2	10.4	4,474.0	11.1	15.0
8	CEH2953*S8A^A	30 (763)	1-1/2	10.4	4,474.0	11.1	15.0

FPI	Model	Fan Diameter	PSC Open Drip Proof Rail Mount								
		in (mm)	HP	208-230/1/60				460/1/60			
				Amps	Watts	MCA	MOPD	Amps	Watts	MCA	MOPD
6	CEH0553*S6A^A	24 (610)	1/2	6.4	746	7.2	20.0	3.4	746	3.8	15.0
6	CEH0723*S6A^A	24 (610)	1/2	6.4	746	7.2	20.0	3.4	746	3.8	15.0
6	CEH0743*S6A^A	24 (610)	1/2	9.6	1,119	10.4	20.0	5.1	1,119	5.5	15.0
6	CEH0933*S6A^A	24 (610)	1/2	9.6	1,119	10.4	20.0	5.1	1,119	5.5	15.0
6	CEH1053*S6A^A	24 (610)	1/2	12.8	1,492	13.6	20.0	6.8	1,492	7.2	15.0
6	CEH1313*S6A^A	24 (610)	1/2	12.8	1,492	13.6	20.0	6.8	1,492	7.2	15.0

## Notes:

\* = Electrical Code Designator (see Nomenclature details)

^ = Motor Code Designator (see Nomenclature details)

# Models Not Meeting DOE Minimum AWEF

## SPECIFICATIONS

Air Defrost - 50 Hz

FPI	Model	Fan Diameter	380-400/3/50									
			HP	3 Phase AC Open Drip Proof Rail Mount				HP	3 Phase AC Totally Enclosed Rail Mount			
		in (mm)		Amps	Watts	MCA	MOPD		Amps	Watts	MCA	MOPD
6	CEH0553*S6A^A	24 (610)	3/4	4.0	1,119.0	4.5	15.0	1	4.6	1,492.0	5.2	15.0
6	CEH0723*S6A^A	24 (610)	3/4	4.0	1,119.0	4.5	15.0	1	4.6	1,492.0	5.2	15.0
6	CEH0743*S6A^A	24 (610)	3/4	6.0	1,678.5	6.5	15.0	1	6.9	2,238.0	7.5	15.0
6	CEH0933*S6A^A	24 (610)	3/4	6.0	1,678.5	6.5	15.0	1	6.9	2,238.0	7.5	15.0
6	CEH1053*S6A^A	24 (610)	3/4	8.0	2,238.0	8.5	15.0	1	9.2	2,984.0	9.6	15.0
6	CEH1313*S6A^A	24 (610)	3/4	8.0	2,238.0	8.5	15.0	1	9.2	2,984.0	9.6	15.0
6	CEH1333*S6A^A	30 (763)	1	6.9	2,237.0	7.5	15.0	1-1/2	7.8	3,356.0	8.5	15.0
6	CEH1623*S6A^A	30 (763)	1	6.9	2,237.0	7.5	15.0	1-1/2	7.8	3,356.0	8.5	15.0
6	CEH1873*S6A^A	30 (763)	1-1/2	9.9	3,356.0	10.7	20.0	1-1/2	7.8	3,356.0	8.5	15.0
6	CEH2203*S6A^A	30 (763)	1-1/2	10.5	3,356.0	11.4	20.0	1-1/2	7.8	3,356.0	8.5	15.0
6	CEH2553*S6A^A	30 (763)	1-1/2	13.2	4,474.0	14.0	20.0	1-1/2	10.4	4,474.0	11.1	15.0
6	CEH2883*S6A^A	30 (763)	1-1/2	14.0	4,474.0	14.9	25.0	1-1/2	10.4	4,474.0	11.1	15.0
8	CEH2513*S8A^A	30 (763)	1-1/2	10.5	3,356.0	11.4	20.0	1-1/2	7.8	3,356.0	8.5	15.0
8	CEH2953*S8A^A	30 (763)	1-1/2	13.2	4,474.0	14.0	20.0	1-1/2	10.4	4,474.0	11.1	15.0
8	CEH3283*S8A^A	30 (763)	1-1/2	14.0	4,474.0	14.9	25.0	1-1/2	10.4	4,474.0	11.1	15.0

**Notes:**

\* = Electrical Code Designator (see Nomenclature details)

^ = Motor Code Designator (see Nomenclature details)

## Models Not Meeting DOE Minimum AWEF

## PERFORMANCE DATA

Application Capacity: Low Temperature Electric Defrost - 60 Hz

FPI	Model	Legacy Model	R-404A/R-507A		R-448A/R-449A		Fan Data				Air Throw	
			Application Capacity <sup>1</sup>		Application Capacity <sup>1</sup>		No. of Fans	Dia. in (mm)	CFM	m <sup>3</sup> H	Standard ft (m)	w/Collar ft (m)
			10°F TD -20°F SST	6°C TD -29°C SST	10°F TD -20°F SST	6°C TD -29°C SST						
6	CEH0423*S6E^A	CHE450	45,000	13,200	49,000	14,400	2	24 (610)	9,000	15,291	70 (21)	85 (26)
6	CEH0513*S6E^A	CHE550	54,350	15,900	61,000	17,900	2	24 (610)	9,000	15,291	70 (21)	85 (26)
6	CEH0573*S6E^A	CHE640	62,700	18,400	69,000	20,200	3	24 (610)	12,600	21,408	70 (21)	85 (26)
6	CEH0713*S6E^A	CHE740	74,000	21,700	81,000	23,700	3	24 (610)	12,600	21,408	70 (21)	85 (26)
6	CEH0763*S6E^A	CHE810	81,000	23,700	89,000	26,100	4	24 (610)	16,800	28,543	70 (21)	85 (26)
6	CEH0963*S6E^A	CHE950	95,000	27,800	105,000	30,800	4	24 (610)	16,800	28,543	70 (21)	85 (26)
4	CEH0373*S4E^A	CHL400	40,000	11,700	43,000	12,600	2	24 (610)	9,400	15,971	70 (21)	85 (26)
4	CEH0473*S4E^A	CHL480	48,000	14,100	53,000	15,500	2	24 (610)	9,400	15,971	70 (21)	85 (26)
4	CEH0513*S4E^A	CHL560	56,000	16,400	60,000	17,600	3	24 (610)	13,200	22,427	70 (21)	85 (26)
4	CEH0653*S4E^A	CHL650	65,000	19,000	70,000	20,500	3	24 (610)	13,200	22,427	70 (21)	85 (26)
4	CEH0693*S4E^A	CHL710	71,000	20,800	77,000	22,600	4	24 (610)	17,600	29,903	70 (21)	85 (26)
4	CEH0883*S4E^A	CHL840	84,000	24,600	91,000	26,700	4	24 (610)	17,600	29,903	70 (21)	85 (26)
6	CEH1123*S6E^A	CHE1020	100,850	29,600	112,000	32,800	3	30 (763)	20,700	35,170	100 (30)	115 (35)
6	CEH1343*S6E^A	CHE1200	120,000	35,200	134,000	39,300	3	30 (763)	20,700	35,170	100 (30)	115 (35)
6	CEH1563*S6E^A	CHE1390	139,000	40,700	156,000	45,700	3	30 (763)	24,300	41,286	100 (30)	115 (35)
6	CEH1823*S6E^A	CHE1650	152,000	44,500	182,000	53,300	3	30 (763)	26,550	45,109	120 (37)	140 (43)
6	CEH2333*S6E^A	CHE2120	203,550	59,700	233,000	68,300	4	30 (763)	35,400	60,145	120 (37)	140 (43)
4	CEH0983*S4E^A	CHL890	89,000	26,100	98,000	28,700	3	30 (763)	21,600	36,699	100 (30)	115 (35)
4	CEH1163*S4E^A	CHL1050	105,000	30,800	116,000	34,000	3	30 (763)	21,600	36,699	100 (30)	115 (35)
4	CEH1343*S4E^A	CHL1220	122,000	35,800	134,000	39,300	3	30 (763)	25,200	42,815	100 (30)	115 (35)
4	CEH1583*S4E^A	CHL1440	141,150	41,400	158,000	46,300	3	30 (763)	27,600	46,893	120 (37)	140 (43)
4	CEH2053*S4E^A	CHL1860	186,000	54,500	205,000	60,100	4	30 (763)	36,800	62,524	120 (37)	140 (43)

## Notes:

<sup>1</sup> = Capacities shown are Application Capacities reflecting nominal operation at 10°F TD. For models within the scope of the DOE AWEF (Annual Walk-in Energy Factor) standard, the Net Capacity is determined by the AHRI 1250 test method. DOE will publish this compliance data at [www.regulations.doe.gov](http://www.regulations.doe.gov)

\* = Electrical Code Designator (see Nomenclature details)

^ = Motor Code Designator (see Nomenclature details)



# Models Not Meeting DOE Minimum AWEF

## PERFORMANCE DATA

Application Capacity: Low Temperature Electric Defrost - 60 Hz

FPI	Model	Legacy Model	R-407A/R-407F		R-407C		Fan Data				Air Throw	
			Application Capacity <sup>1</sup>		Application Capacity <sup>1</sup>		No. of Fans	Dia. in (mm)	CFM	m <sup>3</sup> H	Standard ft (m)	w/Collar ft (m)
			10°F TD -20°F SST	6°C TD -29°C SST	10°F TD -20°F SST	6°C TD -29°C SST						
6	CEH0423*S6E^A	CHE450	49,000	14,400	49,000	14,400	2	24 (610)	9,000	15,291	70 (21)	85 (26)
6	CEH0513*S6E^A	CHE550	61,000	17,900	61,000	17,900	2	24 (610)	9,000	15,291	70 (21)	85 (26)
6	CEH0573*S6E^A	CHE640	69,000	20,200	69,000	20,200	3	24 (610)	12,600	21,408	70 (21)	85 (26)
6	CEH0713*S6E^A	CHE740	81,000	23,700	81,000	23,700	3	24 (610)	12,600	21,408	70 (21)	85 (26)
6	CEH0763*S6E^A	CHE810	89,000	26,100	89,000	26,100	4	24 (610)	16,800	28,543	70 (21)	85 (26)
6	CEH0963*S6E^A	CHE950	105,000	30,800	105,000	30,800	4	24 (610)	16,800	28,543	70 (21)	85 (26)
4	CEH0373*S4E^A	CHL400	43,000	12,600	43,000	12,600	2	24 (610)	9,400	15,971	70 (21)	85 (26)
4	CEH0473*S4E^A	CHL480	53,000	15,500	53,000	15,500	2	24 (610)	9,400	15,971	70 (21)	85 (26)
4	CEH0513*S4E^A	CHL560	60,000	17,600	60,000	17,600	3	24 (610)	13,200	22,427	70 (21)	85 (26)
4	CEH0653*S4E^A	CHL650	70,000	20,500	70,000	20,500	3	24 (610)	13,200	22,427	70 (21)	85 (26)
4	CEH0693*S4E^A	CHL710	77,000	22,600	77,000	22,600	4	24 (610)	17,600	29,903	70 (21)	85 (26)
4	CEH0883*S4E^A	CHL840	91,000	26,700	91,000	26,700	4	24 (610)	17,600	29,903	70 (21)	85 (26)
6	CEH1123*S6E^A	CHE1020	112,000	32,800	112,000	32,800	3	30 (763)	20,700	35,170	100 (30)	115 (35)
6	CEH1343*S6E^A	CHE1200	134,000	39,300	134,000	39,300	3	30 (763)	20,700	35,170	100 (30)	115 (35)
6	CEH1563*S6E^A	CHE1390	156,000	45,700	156,000	45,700	3	30 (763)	24,300	41,286	100 (30)	115 (35)
6	CEH1823*S6E^A	CHE1650	182,000	53,300	182,000	53,300	3	30 (763)	26,550	45,109	120 (37)	140 (43)
6	CEH2333*S6E^A	CHE2120	233,000	68,300	233,000	68,300	4	30 (763)	35,400	60,145	120 (37)	140 (43)
4	CEH0983*S4E^A	CHL890	98,000	28,700	98,000	28,700	3	30 (763)	21,600	36,699	100 (30)	115 (35)
4	CEH1163*S4E^A	CHL1050	116,000	34,000	116,000	34,000	3	30 (763)	21,600	36,699	100 (30)	115 (35)
4	CEH1343*S4E^A	CHL1220	134,000	39,300	134,000	39,300	3	30 (763)	25,200	42,815	100 (30)	115 (35)
4	CEH1583*S4E^A	CHL1440	158,000	46,300	158,000	46,300	3	30 (763)	27,600	46,893	120 (37)	140 (43)
4	CEH2053*S4E^A	CHL1860	205,000	60,100	205,000	60,100	4	30 (763)	36,800	62,524	120 (37)	140 (43)

**Notes:**

<sup>1</sup> = Capacities shown are Application Capacities reflecting nominal operation at 10°F TD. For models within the scope of the DOE AWEF (Annual Walk-in Energy Factor) standard, the Net Capacity is determined by the AHRI 1250 test method. DOE will publish this compliance data at [www.regulations.doe.gov](http://www.regulations.doe.gov)

\* = Electrical Code Designator (see Nomenclature details)

^ = Motor Code Designator (see Nomenclature details)

## Models Not Meeting DOE Minimum AWEF

## PERFORMANCE DATA

Application Capacity: Electric Defrost - 50 Hz

FPI	Model	Legacy Model	R-404A/R-507A		R-448A/R-449A		Fan Data				Air Throw	
			Application Capacity <sup>1</sup>		Application Capacity <sup>1</sup>		No. of Fans	Dia. in (mm)	CFM	m <sup>3</sup> H	Standard ft (m)	w/Collar ft (m)
			10°F TD -20°F SST	6°C TD -29°C SST	10°F TD -20°F SST	6°C TD -29°C SST						
			BTUH	Watts	BTUH	Watts						
6	CEH0423*S6E^A	CHE450	41,400	12,100	45,100	13,200	2	24 (610)	8,100	13,762	70 (21)	85 (26)
6	CEH0513*S6E^A	CHE550	50,000	14,700	56,100	16,400	2	24 (610)	8,100	13,762	70 (21)	85 (26)
6	CEH0573*S6E^A	CHE640	57,700	16,900	63,500	18,600	3	24 (610)	11,300	19,199	70 (21)	85 (26)
6	CEH0713*S6E^A	CHE740	68,100	20,000	74,500	21,800	3	24 (610)	11,300	19,199	70 (21)	85 (26)
6	CEH0763*S6E^A	CHE810	74,500	21,800	81,900	24,000	4	24 (610)	15,100	25,655	70 (21)	85 (26)
6	CEH0963*S6E^A	CHE950	87,400	25,600	96,600	28,300	4	24 (610)	15,100	25,655	70 (21)	85 (26)
4	CEH0373*S4E^A	CHL400	36,800	10,800	39,600	11,600	2	24 (610)	8,500	14,442	70 (21)	85 (26)
4	CEH0473*S4E^A	CHL480	44,200	13,000	48,800	14,300	2	24 (610)	8,500	14,442	70 (21)	85 (26)
4	CEH0513*S4E^A	CHL560	51,500	15,100	55,200	16,200	3	24 (610)	11,900	20,218	70 (21)	85 (26)
4	CEH0653*S4E^A	CHL650	59,800	17,500	64,400	18,900	3	24 (610)	11,900	20,218	70 (21)	85 (26)
4	CEH0693*S4E^A	CHL710	65,300	19,100	70,800	20,700	4	24 (610)	15,900	27,014	70 (21)	85 (26)
4	CEH0883*S4E^A	CHL840	77,300	22,700	83,700	24,500	4	24 (610)	15,900	27,014	70 (21)	85 (26)
6	CEH1123*S6E^A	CHE1020	92,800	27,200	103,000	30,200	3	30 (763)	18,600	31,602	90 (27)	100 (30)
6	CEH1343*S6E^A	CHE1200	110,400	32,400	123,300	36,100	3	30 (763)	18,600	31,602	90 (27)	100 (30)
6	CEH1563*S6E^A	CHE1390	127,900	37,500	143,500	42,100	3	30 (763)	21,900	37,208	90 (27)	100 (30)
6	CEH1823*S6E^A	CHE1650	139,800	41,000	167,400	49,100	3	30 (763)	23,900	40,606	110 (34)	130 (40)
6	CEH2333*S6E^A	CHE2120	187,300	54,900	214,400	62,800	4	30 (763)	31,900	54,198	110 (34)	130 (40)
4	CEH0983*S4E^A	CHL890	81,900	24,000	90,200	26,400	3	30 (763)	19,500	33,131	90 (27)	100 (30)
4	CEH1163*S4E^A	CHL1050	96,600	28,300	106,700	31,300	3	30 (763)	19,500	33,131	90 (27)	100 (30)
4	CEH1343*S4E^A	CHL1220	112,200	32,900	123,300	36,100	3	30 (763)	22,700	38,568	90 (27)	100 (30)
4	CEH1583*S4E^A	CHL1440	129,900	38,100	145,400	42,600	3	30 (763)	24,900	42,305	110 (34)	130 (40)
4	CEH2053*S4E^A	CHL1860	171,100	50,100	188,600	55,300	4	30 (763)	33,100	56,237	110 (34)	130 (40)

## Notes:

<sup>1</sup> = Capacities shown are Application Capacities reflecting nominal operation at 10°F TD. For models within the scope of the DOE AWEF (Annual Walk-in Energy Factor) standard, the Net Capacity is determined by the AHRI 1250 test method. DOE will publish this compliance data at [www.regulations.doe.gov](http://www.regulations.doe.gov)

\* = Electrical Code Designator (see Nomenclature details)

^ = Motor Code Designator (see Nomenclature details)

# Models Not Meeting DOE Minimum AWEF

## PERFORMANCE DATA

Application Capacity: Electric Defrost - 50 Hz

FPI	Model	Legacy Model	R-407A/R-407F		R-407C		Fan Data				Air Throw	
			Application Capacity <sup>1</sup>		Application Capacity <sup>1</sup>		No. of Fans	Dia. in (mm)	CFM	m <sup>3</sup> H	Standard ft (m)	w/Collar ft (m)
			10°F TD -20°F SST	6°C TD -29°C SST	10°F TD -20°F SST	6°C TD -29°C SST						
6	CEH0423*S6E^A	CHE450	45,100	13,200	45,100	13,200	2	24 (610)	8,100	13,762	70 (21)	85 (26)
6	CEH0513*S6E^A	CHE550	56,100	16,400	56,100	16,400	2	24 (610)	8,100	13,762	70 (21)	85 (26)
6	CEH0573*S6E^A	CHE640	63,500	18,600	63,500	18,600	3	24 (610)	11,300	19,199	70 (21)	85 (26)
6	CEH0713*S6E^A	CHE740	74,500	21,800	74,500	21,800	3	24 (610)	11,300	19,199	70 (21)	85 (26)
6	CEH0763*S6E^A	CHE810	81,900	24,000	81,900	24,000	4	24 (610)	15,100	25,655	70 (21)	85 (26)
6	CEH0963*S6E^A	CHE950	96,600	28,300	96,600	28,300	4	24 (610)	15,100	25,655	70 (21)	85 (26)
4	CEH0373*S4E^A	CHL400	39,600	11,600	39,600	11,600	2	24 (610)	8,500	14,442	70 (21)	85 (26)
4	CEH0473*S4E^A	CHL480	48,800	14,300	48,800	14,300	2	24 (610)	8,500	14,442	70 (21)	85 (26)
4	CEH0513*S4E^A	CHL560	55,200	16,200	55,200	16,200	3	24 (610)	11,900	20,218	70 (21)	85 (26)
4	CEH0653*S4E^A	CHL650	64,400	18,900	64,400	18,900	3	24 (610)	11,900	20,218	70 (21)	85 (26)
4	CEH0693*S4E^A	CHL710	70,800	20,700	70,800	20,700	4	24 (610)	15,900	27,014	70 (21)	85 (26)
4	CEH0883*S4E^A	CHL840	83,700	24,500	83,700	24,500	4	24 (610)	15,900	27,014	70 (21)	85 (26)
6	CEH1123*S6E^A	CHE1020	103,000	30,200	103,000	30,200	3	30 (763)	18,600	31,602	90 (27)	100 (30)
6	CEH1343*S6E^A	CHE1200	123,300	36,100	123,300	36,100	3	30 (763)	18,600	31,602	90 (27)	100 (30)
6	CEH1563*S6E^A	CHE1390	143,500	42,100	143,500	42,100	3	30 (763)	21,900	37,208	90 (27)	100 (30)
6	CEH1823*S6E^A	CHE1650	167,400	49,100	167,400	49,100	3	30 (763)	23,900	40,606	110 (34)	130 (40)
6	CEH2333*S6E^A	CHE2120	214,400	62,800	214,400	62,800	4	30 (763)	31,900	54,198	110 (34)	130 (40)
4	CEH0983*S4E^A	CHL890	90,200	26,400	90,200	26,400	3	30 (763)	19,500	33,131	90 (27)	100 (30)
4	CEH1163*S4E^A	CHL1050	106,700	31,300	106,700	31,300	3	30 (763)	19,500	33,131	90 (27)	100 (30)
4	CEH1343*S4E^A	CHL1220	123,300	36,100	123,300	36,100	3	30 (763)	22,700	38,568	90 (27)	100 (30)
4	CEH1583*S4E^A	CHL1440	145,400	42,600	145,400	42,600	3	30 (763)	24,900	42,305	110 (34)	130 (40)
4	CEH2053*S4E^A	CHL1860	188,600	55,300	188,600	55,300	4	30 (763)	33,100	56,237	110 (34)	130 (40)

**Notes:**

<sup>1</sup> = Capacities shown are Application Capacities reflecting nominal operation at 10°F TD. For models within the scope of the DOE AWEF (Annual Walk-in Energy Factor) standard, the Net Capacity is determined by the AHRI 1250 test method. DOE will publish this compliance data at [www.regulations.doe.gov](http://www.regulations.doe.gov)

\* = Electrical Code Designator (see Nomenclature details)

^ = Motor Code Designator (see Nomenclature details)

## Models Not Meeting DOE Minimum AWEF

## PERFORMANCE DATA

Application Capacity: Electric Defrost High CFM - 60 Hz

FPI	Model	Legacy Model	R-404A/R-507A		R-448A/R-449A		Fan Data				Air Throw	
			Application Capacity <sup>1</sup>		Application Capacity <sup>1</sup>		No. of Fans	Dia. in (mm)	CFM	m <sup>3</sup> H	Standard ft (m)	w/Collar ft (m)
			10°F TD -20°F SST	6°C TD -29°C SST	10°F TD -20°F SST	6°C TD -29°C SST						
			BTUH	Watts	BTUH	Watts						
6	CEH0423*S6EHA	CHE450*V	49,500	14,500	53,900	15,800	2	24 (610)	11,300	19,199	85 (26)	100 (30)
6	CEH0513*S6EHA	CHE550*V	59,800	17,500	67,100	19,700	2	24 (610)	11,300	19,199	85 (26)	100 (30)
6	CEH0573*S6EHA	CHE640*V	69,000	20,200	75,900	22,200	3	24 (610)	15,900	27,014	85 (26)	100 (30)
6	CEH0713*S6EHA	CHE740*V	81,400	23,900	89,100	26,100	3	24 (610)	15,900	27,014	85 (26)	100 (30)
6	CEH0763*S6EHA	CHE810*V	89,100	26,100	97,900	28,700	4	24 (610)	21,200	36,019	85 (26)	100 (30)
6	CEH0963*S6EHA	CHE950*V	104,500	30,600	115,500	33,800	4	24 (610)	21,200	36,019	85 (26)	100 (30)
4	CEH0373*S4EHA	CHL400*V	42,000	12,300	45,150	13,200	2	24 (610)	12,200	20,728	85 (26)	100 (30)
4	CEH0473*S4EHA	CHL480*V	50,400	14,800	55,650	16,300	2	24 (610)	12,200	20,728	85 (26)	100 (30)
4	CEH0513*S4EHA	CHL560*V	58,800	17,200	63,000	18,500	3	24 (610)	17,000	28,883	85 (26)	100 (30)
4	CEH0653*S4EHA	CHL650*V	68,250	20,000	73,500	21,500	3	24 (610)	17,000	28,883	85 (26)	100 (30)
4	CEH0693*S4EHA	CHL710*V	74,550	21,800	80,850	23,700	4	24 (610)	22,600	38,398	85 (26)	100 (30)
4	CEH0883*S4EHA	CHL840*V	88,200	25,800	95,550	28,000	4	24 (610)	22,600	38,398	85 (26)	100 (30)
6	CEH1123*S6EHA	CHE1020*V	110,900	32,500	123,200	36,100	3	30 (763)	23,300	39,587	110 (34)	130 (40)
6	CEH1343*S6EHA	CHE1200*V	132,000	38,700	147,400	43,200	3	30 (763)	23,300	39,587	110 (34)	130 (40)
6	CEH1563*S6EHA	CHE1390*V	152,900	44,800	171,600	50,300	3	30 (763)	28,000	47,572	110 (34)	130 (40)
6	CEH1823*S6EHA	CHE1650*V	167,200	49,000	200,200	58,700	3	30 (763)	29,700	50,461	130 (40)	150 (46)
6	CEH2333*S6EHA	CHE2120*V	223,900	65,600	256,300	75,100	4	30 (763)	39,600	67,281	130 (40)	150 (46)
4	CEH0983*S4EHA	CHL890*V	93,450	27,400	102,900	30,200	3	30 (763)	23,800	40,436	110 (34)	130 (40)
4	CEH1163*S4EHA	CHL1050*V	110,250	32,300	121,800	35,700	3	30 (763)	23,800	40,436	110 (34)	130 (40)
4	CEH1343*S4EHA	CHL1220*V	128,100	37,500	140,700	41,200	3	30 (763)	28,600	48,592	110 (34)	130 (40)
4	CEH1583*S4EHA	CHL1440*V	148,200	43,400	165,900	48,600	3	30 (763)	30,600	51,990	130 (40)	150 (46)
4	CEH2053*S4EHA	CHL1860*V	195,300	57,200	215,250	63,100	4	30 (763)	40,800	69,320	130 (40)	150 (46)

## Notes:

<sup>1</sup> = Capacities shown are Application Capacities reflecting nominal operation at 10°F TD. For models within the scope of the DOE AWEF (Annual Walk-in Energy Factor) standard, the Net Capacity is determined by the AHRI 1250 test method. DOE will publish this compliance data at [www.regulations.doe.gov](http://www.regulations.doe.gov)

\* = Electrical Code Designator (see Nomenclature details)

^ = Motor Code Designator (see Nomenclature details)

# Models Not Meeting DOE Minimum AWEF

## PERFORMANCE DATA

Application Capacity: Electric Defrost High CFM - 60 Hz

FPI	Model	Legacy Model	R-407A/R-407F		R-407C		Fan Data				Air Throw	
			Application Capacity <sup>1</sup>		Application Capacity <sup>1</sup>							
			10°F TD -20°F SST	6°C TD -29°C SST	10°F TD -20°F SST	6°C TD -29°C SST	No. of Fans	Dia. in (mm)	CFM	m <sup>3</sup> H	Standard ft (m)	w/Collar ft (m)
			BTUH	Watts	BTUH	Watts						
6	CEH0423*S6EHA	CHE450*V	53,900	15,800	53,900	15,800	2	24 (610)	11,300	19,199	85 (26)	100 (30)
6	CEH0513*S6EHA	CHE550*V	67,100	19,700	67,100	19,700	2	24 (610)	11,300	19,199	85 (26)	100 (30)
6	CEH0573*S6EHA	CHE640*V	75,900	22,200	75,900	22,200	3	24 (610)	15,900	27,014	85 (26)	100 (30)
6	CEH0713*S6EHA	CHE740*V	89,100	26,100	89,100	26,100	3	24 (610)	15,900	27,014	85 (26)	100 (30)
6	CEH0763*S6EHA	CHE810*V	97,900	28,700	97,900	28,700	4	24 (610)	21,200	36,019	85 (26)	100 (30)
6	CEH0963*S6EHA	CHE950*V	115,500	33,800	115,500	33,800	4	24 (610)	21,200	36,019	85 (26)	100 (30)
4	CEH0373*S4EHA	CHL400*V	45,150	13,200	45,150	13,200	2	24 (610)	12,200	20,728	85 (26)	100 (30)
4	CEH0473*S4EHA	CHL480*V	55,650	16,300	55,650	16,300	2	24 (610)	12,200	20,728	85 (26)	100 (30)
4	CEH0513*S4EHA	CHL560*V	63,000	18,500	63,000	18,500	3	24 (610)	17,000	28,883	85 (26)	100 (30)
4	CEH0653*S4EHA	CHL650*V	73,500	21,500	73,500	21,500	3	24 (610)	17,000	28,883	85 (26)	100 (30)
4	CEH0693*S4EHA	CHL710*V	80,850	23,700	80,850	23,700	4	24 (610)	22,600	38,398	85 (26)	100 (30)
4	CEH0883*S4EHA	CHL840*V	95,550	28,000	95,550	28,000	4	24 (610)	22,600	38,398	85 (26)	100 (30)
6	CEH1123*S6EHA	CHE1020*V	123,200	36,100	123,200	36,100	3	30 (763)	23,300	39,587	110 (34)	130 (40)
6	CEH1343*S6EHA	CHE1200*V	147,400	43,200	147,400	43,200	3	30 (763)	23,300	39,587	110 (34)	130 (40)
6	CEH1563*S6EHA	CHE1390*V	171,600	50,300	171,600	50,300	3	30 (763)	28,000	47,572	110 (34)	130 (40)
6	CEH1823*S6EHA	CHE1650*V	200,200	58,700	200,200	58,700	3	30 (763)	29,700	50,461	130 (40)	150 (46)
6	CEH2333*S6EHA	CHE2120*V	256,300	75,100	256,300	75,100	4	30 (763)	39,600	67,281	130 (40)	150 (46)
4	CEH0983*S4EHA	CHL890*V	102,900	30,200	102,900	30,200	3	30 (763)	23,800	40,436	110 (34)	130 (40)
4	CEH1163*S4EHA	CHL1050*V	121,800	35,700	121,800	35,700	3	30 (763)	23,800	40,436	110 (34)	130 (40)
4	CEH1343*S4EHA	CHL1220*V	140,700	41,200	140,700	41,200	3	30 (763)	28,600	48,592	110 (34)	130 (40)
4	CEH1583*S4EHA	CHL1440*V	165,900	48,600	165,900	48,600	3	30 (763)	30,600	51,990	130 (40)	150 (46)
4	CEH2053*S4EHA	CHL1860*V	215,250	63,100	215,250	63,100	4	30 (763)	40,800	69,320	130 (40)	150 (46)

**Notes:**

<sup>1</sup> = Capacities shown are Application Capacities reflecting nominal operation at 10°F TD. For models within the scope of the DOE AWEF (Annual Walk-in Energy Factor) standard, the Net Capacity is determined by the AHRI 1250 test method. DOE will publish this compliance data at [www.regulations.doe.gov](http://www.regulations.doe.gov)

\* = Electrical Code Designator (see Nomenclature details)

^ = Motor Code Designator (see Nomenclature details)

## Models Not Meeting DOE Minimum AWEF

## SPECIFICATIONS

Electric Defrost - 60 Hz

FPI	Model	Fan Diameter	HP	2-Speed EC and Variable Speed EC Motors								Defrost Heaters		
		in (mm)		208-230/3/60				460/3/60				Watts	Total Amps	
				Amps	Watts	MCA	MOPD	Amps	Watts	MCA	MOPD		208-230/3/60	460/3/60
6	CEH0423*S6E^A	24 (610)	3/4	4.4	1,119	5.0	15.0	2.2	1,119	2.5	15.0	9,900	27.5	13.9
6	CEH0513*S6E^A	24 (610)	3/4	4.4	1,119	5.0	15.0	2.2	1,119	2.5	15.0	9,900	27.5	13.9
6	CEH0573*S6E^A	24 (610)	3/4	6.6	1,679	7.2	15.0	3.3	1,679	3.6	15.0	12,900	35.8	18.1
6	CEH0713*S6E^A	24 (610)	3/4	6.6	1,679	7.2	15.0	3.3	1,679	3.6	15.0	12,900	35.8	18.1
6	CEH0763*S6E^A	24 (610)	3/4	8.8	2,238	9.4	15.0	4.4	2,238	4.7	15.0	17,050	47.8	24.3
6	CEH0963*S6E^A	24 (610)	3/4	8.8	2,238	9.4	15.0	4.4	2,238	4.7	15.0	17,050	47.8	24.3
4	CEH0373*S4E^A	24 (610)	3/4	4.4	1,119	5.0	15.0	2.2	1,119	2.5	15.0	9,900	27.5	13.9
4	CEH0473*S4E^A	24 (610)	3/4	4.4	1,119	5.0	15.0	2.2	1,119	2.5	15.0	9,900	27.5	13.9
4	CEH0513*S4E^A	24 (610)	3/4	6.6	1,679	7.2	15.0	3.3	1,679	3.6	15.0	12,900	35.8	18.1
4	CEH0653*S4E^A	24 (610)	3/4	6.6	1,679	7.2	15.0	3.3	1,679	3.6	15.0	12,900	35.8	18.1
4	CEH0693*S4E^A	24 (610)	3/4	8.8	2,238	9.4	15.0	4.4	2,238	4.7	15.0	17,050	47.8	24.3
4	CEH0883*S4E^A	24 (610)	3/4	8.8	2,238	9.4	15.0	4.4	2,238	4.7	15.0	17,050	47.8	24.3
6	CEH1123*S6E^A	30 (763)	1-1/2	11.1	3,356	12.0	20.0	5.7	3,356	6.2	15.0	21,400	64.2	32.1
6	CEH1343*S6E^A	30 (763)	1-1/2	11.1	3,356	12.0	20.0	5.7	3,356	6.2	15.0	21,400	64.2	32.1
6	CEH1563*S6E^A	30 (763)	1-1/2	11.1	3,356	12.0	20.0	5.7	3,356	6.2	15.0	21,400	64.2	32.1
6	CEH1823*S6E^A	30 (763)	1-1/2	11.1	3,356	12.0	20.0	5.7	3,356	6.2	15.0	33,600	87.2	47.5
6	CEH2333*S6E^A	30 (763)	1-1/2	14.8	4,474	15.7	25.0	7.6	4,474	8.1	15.0	49,850	128.4	70.0
4	CEH0983*S4E^A	30 (763)	1-1/2	11.1	3,356	12.0	20.0	5.7	3,356	6.2	15.0	21,400	64.2	32.1
4	CEH1163*S4E^A	30 (763)	1-1/2	11.1	3,356	12.0	20.0	5.7	3,356	6.2	15.0	21,400	64.2	32.1
4	CEH1343*S4E^A	30 (763)	1-1/2	11.1	3,356	12.0	20.0	5.7	3,356	6.2	15.0	21,400	64.2	32.1
4	CEH1583*S4E^A	30 (763)	1-1/2	11.1	3,356	12.0	20.0	5.7	3,356	6.2	15.0	33,600	87.2	47.5
4	CEH2053*S4E^A	30 (763)	1-1/2	14.8	4,474	15.7	25.0	7.6	4,474	8.1	15.0	49,850	128.4	70.0

## Notes:

\* = Electrical Code Designator (see Nomenclature details)

^ = Motor Code Designator (see Nomenclature details)



# Models Not Meeting DOE Minimum AWEF

## SPECIFICATIONS

Electric Defrost - 60 Hz

FPI	Model	Fan Diameter	HP	3 Phase AC Open Drip Proof Rail Mount								Defrost Heaters		
		in (mm)		208-230/3/60				460/3/60				Watts	Total Amps	
				Amps	Watts	MCA	MOPD	Amps	Watts	MCA	MOPD		208-230/3/60	460/3/60
6	CEH0423*S6E^A	24 (610)	3/4	8.0	1,119	9.0	20.0	4.0	1,119	4.5	15.0	9,900	27.5	13.9
6	CEH0513*S6E^A	24 (610)	3/4	8.0	1,119	9.0	20.0	4.0	1,119	4.5	15.0	9,900	27.5	13.9
6	CEH0573*S6E^A	24 (610)	3/4	12.0	1,679	13.0	25.0	6.0	1,679	6.5	15.0	12,900	35.8	18.1
6	CEH0713*S6E^A	24 (610)	3/4	12.0	1,679	13.0	25.0	6.0	1,679	6.5	15.0	12,900	35.8	18.1
6	CEH0763*S6E^A	24 (610)	3/4	16.0	2,238	17.0	30.0	8.0	2,238	8.5	15.0	17,050	47.8	24.3
6	CEH0963*S6E^A	24 (610)	3/4	16.0	2,238	17.0	30.0	8.0	2,238	8.5	15.0	17,050	47.8	24.3
4	CEH0373*S4E^A	24 (610)	3/4	8.0	1,119	9.0	20.0	4.0	1,119	4.5	15.0	9,900	27.5	13.9
4	CEH0473*S4E^A	24 (610)	3/4	8.0	1,119	9.0	20.0	4.0	1,119	4.5	15.0	9,900	27.5	13.9
4	CEH0513*S4E^A	24 (610)	3/4	12.0	1,679	13.0	25.0	6.0	1,679	6.5	15.0	12,900	35.8	18.1
4	CEH0653*S4E^A	24 (610)	3/4	12.0	1,679	13.0	25.0	6.0	1,679	6.5	15.0	12,900	35.8	18.1
4	CEH0693*S4E^A	24 (610)	3/4	16.0	2,238	17.0	30.0	8.0	2,238	8.5	15.0	17,050	47.8	24.3
4	CEH0883*S4E^A	24 (610)	3/4	16.0	2,238	17.0	30.0	8.0	2,238	8.5	15.0	17,050	47.8	24.3
6	CEH1123*S6E^A	30 (763)	1	13.8	2,237	15.0	25.0	6.9	2,237	7.5	15.0	21,400	64.2	32.1
6	CEH1343*S6E^A	30 (763)	1	13.8	2,237	15.0	25.0	6.9	2,237	7.5	15.0	21,400	64.2	32.1
6	CEH1563*S6E^A	30 (763)	1-1/2	19.8	3,356	21.5	40.0	9.9	3,356	10.7	20.0	21,400	64.2	32.1
6	CEH1823*S6E^A	30 (763)	1-1/2	21.0	3,356	22.8	40.0	10.5	3,356	11.4	20.0	33,600	87.2	47.5
6	CEH2333*S6E^A	30 (763)	1-1/2	28.0	4,474	29.8	45.0	14.0	4,474	14.9	25.0	49,850	128.4	70.0
4	CEH0983*S4E^A	30 (763)	1	13.8	2,237	15.0	25.0	6.9	2,237	7.5	15.0	21,400	64.2	32.1
4	CEH1163*S4E^A	30 (763)	1	13.8	2,237	15.0	25.0	6.9	2,237	7.5	15.0	21,400	64.2	32.1
4	CEH1343*S4E^A	30 (763)	1-1/2	19.8	3,356	21.5	40.0	9.9	3,356	10.7	20.0	21,400	64.2	32.1
4	CEH1583*S4E^A	30 (763)	1-1/2	21.0	3,356	22.8	40.0	10.5	3,356	11.4	20.0	33,600	87.2	47.5
4	CEH2053*S4E^A	30 (763)	1-1/2	28.0	4,474	29.8	45.0	14.0	4,474	14.9	25.0	49,850	128.4	70.0

**Notes:**

\* = Electrical Code Designator (see Nomenclature details)

^ = Motor Code Designator (see Nomenclature details)

## Models Not Meeting DOE Minimum AWEF

## SPECIFICATIONS

Electric Defrost - 60 Hz

FPI	Model	Fan Diameter	HP	3 Phase AC Totally Enclosed Rail Mount								Defrost Heaters		
		in (mm)		208-230/3/60				460/3/60				Watts	Total Amps	
				Amps	Watts	MCA	MOPD	Amps	Watts	MCA	MOPD		208-230/3/60	460/3/60
6	CEH0423*S6E^A	24 (610)	1	6.0	1,492	6.8	20.0	3.0	1,492	3.4	15.0	9,900	27.5	13.9
6	CEH0513*S6E^A	24 (610)	1	6.0	1,492	6.8	20.0	3.0	1,492	3.4	15.0	9,900	27.5	13.9
6	CEH0573*S6E^A	24 (610)	1	9.0	2,238	9.8	20.0	4.5	2,238	4.9	15.0	12,900	35.8	18.1
6	CEH0713*S6E^A	24 (610)	1	9.0	2,238	9.8	20.0	4.5	2,238	4.9	15.0	12,900	35.8	18.1
6	CEH0763*S6E^A	24 (610)	1	12.0	2,984	12.8	20.0	6.0	2,984	6.4	15.0	17,050	47.8	24.3
6	CEH0963*S6E^A	24 (610)	1	12.0	2,984	12.8	20.0	6.0	2,984	6.4	15.0	17,050	47.8	24.3
4	CEH0373*S4E^A	24 (610)	1	6.0	1,492	6.8	20.0	3.0	1,492	3.4	15.0	9,900	27.5	13.9
4	CEH0473*S4E^A	24 (610)	1	6.0	1,492	6.8	20.0	3.0	1,492	3.4	15.0	9,900	27.5	13.9
4	CEH0513*S4E^A	24 (610)	1	9.0	2,238	9.8	20.0	4.5	2,238	4.9	15.0	12,900	35.8	18.1
4	CEH0653*S4E^A	24 (610)	1	9.0	2,238	9.8	20.0	4.5	2,238	4.9	15.0	12,900	35.8	18.1
4	CEH0693*S4E^A	24 (610)	1	12.0	2,984	12.8	20.0	6.0	2,984	6.4	15.0	17,050	47.8	24.3
4	CEH0883*S4E^A	24 (610)	1	12.0	2,984	12.8	20.0	6.0	2,984	6.4	15.0	17,050	47.8	24.3
6	CEH1123*S6E^A	30 (763)	1-1/2	19.8	3,356	21.5	40.0	9.9	3,356	10.7	20.0	21,400	64.2	32.1
6	CEH1343*S6E^A	30 (763)	1-1/2	19.8	3,356	21.5	40.0	9.9	3,356	10.7	20.0	21,400	64.2	32.1
6	CEH1563*S6E^A	30 (763)	1-1/2	19.8	3,356	21.5	40.0	9.9	3,356	10.7	20.0	21,400	64.2	32.1
6	CEH1823*S6E^A	30 (763)	1-1/2	19.8	3,356	21.5	40.0	9.9	3,356	10.7	20.0	33,600	87.2	47.5
6	CEH2333*S6E^A	30 (763)	1-1/2	26.4	4,474	28.1	45.0	13.2	4,474	14.0	20.0	49,850	128.4	70.0
4	CEH0983*S4E^A	30 (763)	1-1/2	19.8	3,356	21.5	40.0	9.9	3,356	10.7	20.0	21,400	64.2	32.1
4	CEH1163*S4E^A	30 (763)	1-1/2	19.8	3,356	21.5	40.0	9.9	3,356	10.7	20.0	21,400	64.2	32.1
4	CEH1343*S4E^A	30 (763)	1-1/2	19.8	3,356	21.5	40.0	9.9	3,356	10.7	20.0	21,400	64.2	32.1
4	CEH1583*S4E^A	30 (763)	1-1/2	19.8	3,356	21.5	40.0	9.9	3,356	10.7	20.0	33,600	87.2	47.5
4	CEH2053*S4E^A	30 (763)	1-1/2	26.4	4,474	28.1	45.0	13.2	4,474	14.0	20.0	49,850	128.4	70.0

## Notes:

\* = Electrical Code Designator (see Nomenclature details)

^ = Motor Code Designator (see Nomenclature details)

# Models Not Meeting DOE Minimum AWEF

## SPECIFICATIONS

Electric Defrost - 60 Hz

FPI	Model	Fan Diameter	HP	3 Phase AC Totally Enclosed Rail Mount				Defrost Heaters	
		in (mm)		575/3/60				Watts	Total Amps
				Amps	Watts	MCA	MOPD		575/3/60
6	CEH0423*S6E^A	24 (610)	1/2	1.8	746	2.0	15.0	9,900	11.1
6	CEH0513*S6E^A	24 (610)	1/2	1.8	746	2.0	15.0	9,900	11.1
6	CEH0573*S6E^A	24 (610)	1/2	2.7	1,119	2.9	15.0	12,900	14.5
6	CEH0713*S6E^A	24 (610)	1/2	2.7	1,119	2.9	15.0	12,900	14.5
6	CEH0763*S6E^A	24 (610)	1/2	3.6	1,492	3.8	15.0	17,050	19.1
6	CEH0963*S6E^A	24 (610)	1/2	3.6	1,492	3.8	15.0	17,050	19.1
4	CEH0373*S4E^A	24 (610)	1/2	1.8	746	2.0	15.0	9,900	11.1
4	CEH0473*S4E^A	24 (610)	1/2	1.8	746	2.0	15.0	9,900	11.1
4	CEH0513*S4E^A	24 (610)	1/2	2.7	1,119	2.9	15.0	12,900	14.5
4	CEH0653*S4E^A	24 (610)	1/2	2.7	1,119	2.9	15.0	12,900	14.5
4	CEH0693*S4E^A	24 (610)	1/2	3.6	1,492	3.8	15.0	17,050	19.1
4	CEH0883*S4E^A	24 (610)	1/2	3.6	1,492	3.8	15.0	17,050	19.1
6	CEH1823*S6E^A	30 (763)	1-1/2	7.8	2,237	8.5	15.0	33,600	34.9
6	CEH2333*S6E^A	30 (763)	1-1/2	11.2	4,474	11.9	20.0	49,850	56.0
4	CEH1583*S4E^A	30 (763)	1-1/2	7.8	2,237	8.5	15.0	33,600	34.9
4	CEH2053*S4E^A	30 (763)	1-1/2	11.2	4,474	11.9	20.0	49,850	56.0

FPI	Model	Fan Diameter	HP	3 Phase AC Open Drip Proof Rail Mount				Defrost Heaters	
		in (mm)		575/3/60				Watts	Total Amps
				Amps	Watts	MCA	MOPD		575/3/60
6	CEH1123*S6E^A	30 (763)	1-1/2	7.8	2,237	8.5	15.0	21,400	22.8
6	CEH1343*S6E^A	30 (763)	1-1/2	7.8	2,237	8.5	15.0	21,400	22.8
6	CEH1563*S6E^A	30 (763)	1-1/2	7.8	2,237	8.5	15.0	21,400	22.8
4	CEH0983*S4E^A	30 (763)	1-1/2	7.8	2,237	8.5	15.0	21,400	22.8
4	CEH1163*S4E^A	30 (763)	1-1/2	7.8	2,237	8.5	15.0	21,400	22.8
4	CEH1343*S4E^A	30 (763)	1-1/2	7.8	2,237	8.5	15.0	21,400	22.8

**Notes:**

\* = Electrical Code Designator (see Nomenclature details)

^ = Motor Code Designator (see Nomenclature details)

## Models Not Meeting DOE Minimum AWEF

## SPECIFICATIONS

Electric Defrost - 60 Hz

FPI	Model	Fan Diameter	HP	PSC Open Drip Proof Rail Mount								Defrost Heaters		
		in (mm)		208-230/3/60				460/3/60				Watts	Total Amps	
				Amps	Watts	MCA	MOPD	Amps	Watts	MCA	MOPD		208-230/3/60	460/3/60
6	CEH0423*S6E^A	24 (610)	1/2†	6.4	746	7.2	20.0	3.4	746	3.8	15.0	9,900	27.5	13.9
6	CEH0513*S6E^A	24 (610)	1/2†	6.4	746	7.2	20.0	3.4	746	3.8	15.0	9,900	27.5	13.9
6	CEH0573*S6E^A	24 (610)	1/2†	9.6	1,119	10.4	20.0	5.1	1,119	5.5	15.0	12,900	35.8	18.1
6	CEH0713*S6E^A	24 (610)	1/2†	9.6	1,119	10.4	20.0	5.1	1,119	5.5	15.0	12,900	35.8	18.1
6	CEH0763*S6E^A	24 (610)	1/2†	12.8	1,492	13.6	20.0	6.8	1,492	7.2	15.0	17,050	47.8	24.3
6	CEH0963*S6E^A	24 (610)	1/2†	12.8	1,492	13.6	20.0	6.8	1,492	7.2	15.0	17,050	47.8	24.3
4	CEH0373*S4E^A	24 (610)	1/2†	6.4	746	7.2	20.0	3.4	746	3.8	15.0	9,900	27.5	13.9
4	CEH0473*S4E^A	24 (610)	1/2†	6.4	746	7.2	20.0	3.4	746	3.8	15.0	9,900	27.5	13.9
4	CEH0513*S4E^A	24 (610)	1/2†	9.6	1,119	10.4	20.0	5.1	1,119	5.5	15.0	12,900	35.8	18.1
4	CEH0653*S4E^A	24 (610)	1/2†	9.6	1,119	10.4	20.0	5.1	1,119	5.5	15.0	12,900	35.8	18.1
4	CEH0693*S4E^A	24 (610)	1/2†	12.8	1,492	13.6	20.0	6.8	1,492	7.2	15.0	17,050	47.8	24.3
4	CEH0883*S4E^A	24 (610)	1/2†	12.8	1,492	13.6	20.0	6.8	1,492	7.2	15.0	17,050	47.8	24.3
6	CEH1123*S6E^A	30 (763)	1	13.8	2,237	15.0	25.0	6.9	2,237	7.5	15.0	21,400	64.2	32.1
6	CEH1343*S6E^A	30 (763)	1	13.8	2,237	15.0	25.0	6.9	2,237	7.5	15.0	21,400	64.2	32.1
6	CEH1563*S6E^A	30 (763)	1-1/2	19.8	3,356	21.5	40.0	9.9	3,356	10.7	20.0	21,400	64.2	32.1
6	CEH1823*S6E^A	30 (763)	1-1/2	21.0	3,356	22.8	40.0	10.5	3,356	11.4	20.0	33,600	87.2	47.5
6	CEH2333*S6E^A	30 (763)	1-1/2	28.0	4,474	29.8	45.0	14.0	4,474	14.9	25.0	49,850	128.4	70.0
4	CEH0983*S4E^A	30 (763)	1	13.8	2,237	15.0	25.0	6.9	2,237	7.5	15.0	21,400	64.2	32.1
4	CEH1163*S4E^A	30 (763)	1	13.8	2,237	15.0	25.0	6.9	2,237	7.5	15.0	21,400	64.2	32.1
4	CEH1343*S4E^A	30 (763)	1-1/2	19.8	3,356	21.5	40.0	9.9	3,356	10.7	20.0	21,400	64.2	32.1
4	CEH1583*S4E^A	30 (763)	1-1/2	21.0	3,356	22.8	40.0	10.5	3,356	11.4	20.0	33,600	87.2	47.5
4	CEH2053*S4E^A	30 (763)	1-1/2	28.0	4,474	29.8	45.0	14.0	4,474	14.9	25.0	49,850	128.4	70.0

## Notes:

\* = Electrical Code Designator (see Nomenclature details)

^ = Motor Code Designator (see Nomenclature details)

† = These motors are single phase wired only with 208-230/1/60 and 460/1/60

## Models Not Meeting DOE Minimum AWEF

# SPECIFICATIONS

Electric Defrost - 50 Hz

FPI	Model	Fan Diameter	HP	3 Phase AC Open Drip Proof Rail Mount				Defrost Heaters	
		in (mm)		380-400/3/50				Watts	Total Amps
				Amps	Watts	MCA	MOPD		380-400/3/50
6	CEH0423*S6E^A	24 (610)	3/4	4.0	1,119	4.5	15.0	6,760	11.5
6	CEH0513*S6E^A	24 (610)	3/4	4.0	1,119	4.5	15.0	6,760	11.5
6	CEH0573*S6E^A	24 (610)	3/4	6.0	1,679	6.5	15.0	8,800	15.0
6	CEH0713*S6E^A	24 (610)	3/4	6.0	1,679	6.5	15.0	8,800	15.0
6	CEH0763*S6E^A	24 (610)	3/4	8.0	2,238	8.5	15.0	11,640	20.1
6	CEH0963*S6E^A	24 (610)	3/4	8.0	2,238	8.5	15.0	11,640	20.1
4	CEH0373*S4E^A	24 (610)	3/4	4.0	1,119	4.5	15.0	6,760	11.5
4	CEH0473*S4E^A	24 (610)	3/4	4.0	1,119	4.5	15.0	6,760	11.5
4	CEH0513*S4E^A	24 (610)	3/4	6.0	1,679	6.5	15.0	8,800	15.0
4	CEH0653*S4E^A	24 (610)	3/4	6.0	1,679	6.5	15.0	8,800	15.0
4	CEH0693*S4E^A	24 (610)	3/4	8.0	2,238	8.5	15.0	11,640	20.1
4	CEH0883*S4E^A	24 (610)	3/4	8.0	2,238	8.5	15.0	11,640	20.1
6	CEH1123*S6E^A	30 (763)	1	6.9	2,237	7.5	15.0	14,600	26.5
6	CEH1343*S6E^A	30 (763)	1	6.9	2,237	7.5	15.0	14,600	26.5
6	CEH1563*S6E^A	30 (763)	1-1/2	9.9	3,356	10.7	20.0	14,600	26.5
6	CEH1823*S6E^A	30 (763)	1-1/2	10.5	3,356	11.4	20.0	22,930	39.2
6	CEH2333*S6E^A	30 (763)	1-1/2	14.0	4,474	14.9	25.0	34,050	57.9
4	CEH0983*S4E^A	30 (763)	1	6.9	2,237	7.5	15.0	14,600	26.5
4	CEH1163*S4E^A	30 (763)	1	6.9	2,237	7.5	15.0	14,600	26.5
4	CEH1343*S4E^A	30 (763)	1-1/2	9.9	3,356	10.7	20.0	14,600	26.5
4	CEH1583*S4E^A	30 (763)	1-1/2	10.5	3,356	11.4	20.0	22,930	39.2
4	CEH2053*S4E^A	30 (763)	1-1/2	14.0	4,474	14.9	25.0	33,050	57.9

**Notes:**

\* = Electrical Code Designator (see Nomenclature details)

^ = Motor Code Designator (see Nomenclature details)

## Models Not Meeting DOE Minimum AWEF

**SPECIFICATIONS**

Electric Defrost - 50 Hz

FPI	Model	Fan Diameter	HP	3 Phase AC Totally Enclosed Rail Mount				Defrost Heaters	
		in (mm)		380-400/3/50				Watts	Total Amps
				Amps	Watts	MCA	MOPD		380-400/3/50
6	CEH0423*S6E^A	24 (610)	1	4.6	1,492	5.2	15.0	6,760	11.5
6	CEH0513*S6E^A	24 (610)	1	4.6	1,492	5.2	15.0	6,760	11.5
6	CEH0573*S6E^A	24 (610)	1	6.9	2,238	7.5	15.0	8,800	15.0
6	CEH0713*S6E^A	24 (610)	1	6.9	2,238	7.5	15.0	8,800	15.0
6	CEH0763*S6E^A	24 (610)	1	9.2	2,984	9.6	15.0	11,640	20.1
6	CEH0963*S6E^A	24 (610)	1	9.2	2,984	9.6	15.0	11,640	20.1
4	CEH0373*S4E^A	24 (610)	1	4.6	1,492	5.2	15.0	6,760	11.5
4	CEH0473*S4E^A	24 (610)	1	4.6	1,492	5.2	15.0	6,760	11.5
4	CEH0513*S4E^A	24 (610)	1	6.9	2,238	7.5	15.0	8,800	15.0
4	CEH0653*S4E^A	24 (610)	1	6.9	2,238	7.5	15.0	8,800	15.0
4	CEH0693*S4E^A	24 (610)	1	9.2	2,984	9.6	15.0	11,640	20.1
4	CEH0883*S4E^A	24 (610)	1	9.2	2,984	9.6	15.0	11,640	20.1
6	CEH1123*S6E^A	30 (763)	1-1/2	7.8	3,356	8.5	15.0	14,600	26.5
6	CEH1343*S6E^A	30 (763)	1-1/2	7.8	3,356	8.5	15.0	14,600	26.5
6	CEH1563*S6E^A	30 (763)	1-1/2	7.8	3,356	8.5	15.0	14,600	26.5
6	CEH1823*S6E^A	30 (763)	1-1/2	7.8	3,356	8.5	15.0	22,930	39.2
6	CEH2333*S6E^A	30 (763)	1-1/2	10.4	4,474	11.1	15.0	34,050	57.9
4	CEH0983*S4E^A	30 (763)	1-1/2	7.8	3,356	8.5	15.0	14,600	26.5
4	CEH1163*S4E^A	30 (763)	1-1/2	7.8	3,356	8.5	15.0	14,600	26.5
4	CEH1343*S4E^A	30 (763)	1-1/2	7.8	3,356	8.5	15.0	14,600	26.5
4	CEH1583*S4E^A	30 (763)	1-1/2	7.8	3,356	8.5	15.0	22,930	39.2
4	CEH2053*S4E^A	30 (763)	1-1/2	10.4	4,474	11.1	15.0	33,050	57.9

**Notes:**

\* = Electrical Code Designator (see Nomenclature details)

^ = Motor Code Designator (see Nomenclature details)



# Models Not Meeting DOE Minimum AWEF

## SPECIFICATIONS

Electric Defrost High CFM - 60 Hz

FPI	Model	Fan Diameter	HP	High CFM Rail Mount								Defrost Heaters		
		in (mm)		208-230/3/60				460/3/60				Watts	Total Amps	
				Amps	Watts	MCA	MOPD	Amps	Watts	MCA	MOPD		208-230/3/60	460/3/60
6	CEH0423*S6E^A	24 (610)	2	12.0	2,984	13.5	30.0	6.0	2,984	6.80	15.0	9,900	27.5	13.9
6	CEH0513*S6E^A	24 (610)	2	12.0	2,984	13.5	30.0	6.0	2,984	6.80	15.0	9,900	27.5	13.9
6	CEH0573*S6E^A	24 (610)	2	18.0	4,476	19.5	35.0	9.0	4,476	9.80	15.0	12,900	35.8	18.1
6	CEH0713*S6E^A	24 (610)	2	18.0	4,476	19.5	35.0	9.0	4,476	9.80	15.0	12,900	35.8	18.1
6	CEH0763*S6E^A	24 (610)	2	24.0	5,968	25.5	40.0	12.0	5,968	12.80	20.0	17,050	47.8	24.3
6	CEH0963*S6E^A	24 (610)	2	24.0	5,968	25.5	40.0	12.0	5,968	12.80	20.0	17,050	47.8	24.3
4	CEH0373*S4E^A	24 (610)	2	12.0	2,984	13.5	30.0	6.0	2,984	6.80	15.0	9,900	27.5	13.9
4	CEH0473*S4E^A	24 (610)	2	12.0	2,984	13.5	30.0	6.0	2,984	6.80	15.0	9,900	27.5	13.9
4	CEH0513*S4E^A	24 (610)	2	18.0	4,476	19.5	35.0	9.0	4,476	9.80	15.0	12,900	35.8	18.1
4	CEH0653*S4E^A	24 (610)	2	18.0	4,476	19.5	35.0	9.0	4,476	9.80	15.0	12,900	35.8	18.1
4	CEH0693*S4E^A	24 (610)	2	24.0	5,968	25.5	40.0	12.0	5,968	12.80	20.0	17,050	47.8	24.3
4	CEH0883*S4E^A	24 (610)	2	24.0	5,968	25.5	40.0	12.0	5,968	12.80	20.0	17,050	47.8	24.3
6	CEH1123*S6E^A	30 (763)	3	24.6	6,711	26.7	45.0	12.3	6,711	13.30	25.0	21,400	64.2	32.1
6	CEH1343*S6E^A	30 (763)	3	24.6	6,711	26.7	45.0	12.3	6,711	13.30	25.0	21,400	64.2	32.1
6	CEH1563*S6E^A	30 (763)	3	24.6	6,711	26.7	45.0	12.3	6,711	13.30	25.0	21,400	64.2	32.1
6	CEH1823*S6E^A	30 (763)	3	24.6	6,711	26.7	45.0	12.3	6,711	13.30	25.0	33,600	87.2	47.5
6	CEH2333*S6E^A	30 (763)	3	32.8	8,948	34.9	55.0	16.4	8,948	17.40	25.0	49,850	128.4	70.0
4	CEH0983*S4E^A	30 (763)	3	24.6	6,711	26.7	45.0	12.3	6,711	13.30	25.0	21,400	64.2	32.1
4	CEH1163*S4E^A	30 (763)	3	24.6	6,711	26.7	45.0	12.3	6,711	13.30	25.0	21,400	64.2	32.1
4	CEH1343*S4E^A	30 (763)	3	24.6	6,711	26.7	45.0	12.3	6,711	13.30	25.0	21,400	64.2	32.1
4	CEH1583*S4E^A	30 (763)	3	24.6	6,711	26.7	45.0	12.3	6,711	13.30	25.0	33,600	87.2	47.5
4	CEH2053*S4E^A	30 (763)	3	32.8	8,948	34.9	55.0	16.4	8,948	17.40	25.0	49,850	128.4	70.0

**Notes:**

\* = Electrical Code Designator (see Nomenclature details)

^ = Motor Code Designator (see Nomenclature details)

High CFM models can handle external static pressure up to 1/2" of water

High CFM models are designed for operation below 15°F SST

CFM is at 0.0 external static pressure

TD = Temperature Difference = (Room temperature - saturated suction temperature)

## Models Not Meeting DOE Minimum AWEF

## PERFORMANCE DATA

Application Capacity: Low Temperature Hot Gas Defrost - 60 Hz

FPI	Model	Legacy Model	R-404A/R-507A		R-448A/R-449A		Fan Data				Air Throw	
			Application Capacity <sup>1</sup>		Application Capacity <sup>1</sup>		No. of Fans	Dia. in (mm)	CFM	m <sup>3</sup> H	Standard ft (m)	w/Collar ft (m)
			10°F TD -20°F SST	6°C TD -29°C SST	10°F TD -20°F SST	6°C TD -29°C SST						
6	CEH0423*S6H^A	CHG450	45,000	13,200	49,000	14,400	2	24 (610)	9,000	15,291	70 (21)	85 (26)
6	CEH0513*S6H^A	CHG550	54,350	15,900	61,000	17,900	2	24 (610)	9,000	15,291	70 (21)	85 (26)
6	CEH0573*S6H^A	CHG640	62,700	18,400	69,000	20,200	3	24 (610)	12,600	21,408	70 (21)	85 (26)
6	CEH0713*S6H^A	CHG740	74,000	21,700	81,000	23,700	3	24 (610)	12,600	21,408	70 (21)	85 (26)
6	CEH0763*S6H^A	CHG810	81,000	23,700	89,000	26,100	4	24 (610)	16,800	28,543	70 (21)	85 (26)
6	CEH0963*S6H^A	CHG950	95,000	27,800	105,000	30,800	4	24 (610)	16,800	28,543	70 (21)	85 (26)
4	CEH0373*S4H^A	CHF400	40,000	11,700	43,000	12,600	2	24 (610)	9,400	15,971	70 (21)	85 (26)
4	CEH0473*S4H^A	CHF480	48,000	14,100	53,000	15,500	2	24 (610)	9,400	15,971	70 (21)	85 (26)
4	CEH0513*S4H^A	CHF560	56,000	16,400	60,000	17,600	3	24 (610)	13,200	22,427	70 (21)	85 (26)
4	CEH0653*S4H^A	CHF650	65,000	19,000	70,000	20,500	3	24 (610)	13,200	22,427	70 (21)	85 (26)
4	CEH0693*S4H^A	CHF710	71,000	20,800	77,000	22,600	4	24 (610)	17,600	29,903	70 (21)	85 (26)
4	CEH0883*S4H^A	CHF840	84,000	24,600	91,000	26,700	4	24 (610)	17,600	29,903	70 (21)	85 (26)
6	CEH1123*S6H^A	CHG1020	100,850	29,600	112,000	32,800	3	30 (763)	20,700	35,170	100 (30)	115 (35)
6	CEH1343*S6H^A	CHG1200	120,000	35,200	134,000	39,300	3	30 (763)	20,700	35,170	100 (30)	115 (35)
6	CEH1563*S6H^A	CHG1390	139,000	40,700	156,000	45,700	3	30 (763)	24,300	41,286	100 (30)	115 (35)
6	CEH1823*S6H^A	CHG1650	152,000	44,500	182,000	53,300	3	30 (763)	26,550	45,109	120 (37)	140 (43)
6	CEH2333*S6H^A	CHG2120	203,550	59,700	233,000	68,300	4	30 (763)	35,400	60,145	120 (37)	140 (43)
4	CEH0983*S4H^A	CHF890	89,000	26,100	98,000	28,700	3	30 (763)	21,600	36,699	100 (30)	115 (35)
4	CEH1163*S4H^A	CHF1050	105,000	30,800	116,000	34,000	3	30 (763)	21,600	36,699	100 (30)	115 (35)
4	CEH1343*S4H^A	CHF1220	122,000	35,800	134,000	39,300	3	30 (763)	25,200	42,815	100 (30)	115 (35)
4	CEH1583*S4H^A	CHF1440	141,150	41,400	158,000	46,300	3	30 (763)	27,600	46,893	120 (37)	140 (43)
4	CEH2053*S4H^A	CHF1860	186,000	54,500	205,000	60,100	4	30 (763)	36,800	62,524	120 (37)	140 (43)

## Notes:

<sup>1</sup> = Capacities shown are Application Capacities reflecting nominal operation at 10°F TD. For models within the scope of the DOE AWEF (Annual Walk-in Energy Factor) standard, the Net Capacity is determined by the AHRI 1250 test method. DOE will publish this compliance data at [www.regulations.doe.gov](http://www.regulations.doe.gov)

\* = Electrical Code Designator (see Nomenclature details)

^ = Motor Code Designator (see Nomenclature details)

# Models Not Meeting DOE Minimum AWEF

## PERFORMANCE DATA

Application Capacity: Low Temperature Hot Gas Defrost - 60 Hz

FPI	Model	Legacy Model	R-407A/R-407F		R-407C		Fan Data				Air Throw	
			Application Capacity <sup>1</sup>		Application Capacity <sup>1</sup>		No. of Fans	Dia. in (mm)	CFM	m <sup>3</sup> H	Standard ft (m)	w/Collar ft (m)
			10°F TD -20°F SST	6°C TD -29°C SST	10°F TD -20°F SST	6°C TD -29°C SST						
6	CEH0423*S6H^A	CHG450	49,000	14,400	49,000	14,400	2	24 (610)	9,000	15,291	70 (21)	85 (26)
6	CEH0513*S6H^A	CHG550	61,000	17,900	61,000	17,900	2	24 (610)	9,000	15,291	70 (21)	85 (26)
6	CEH0573*S6H^A	CHG640	69,000	20,200	69,000	20,200	3	24 (610)	12,600	21,408	70 (21)	85 (26)
6	CEH0713*S6H^A	CHG740	81,000	23,700	81,000	23,700	3	24 (610)	12,600	21,408	70 (21)	85 (26)
6	CEH0763*S6H^A	CHG810	89,000	26,100	89,000	26,100	4	24 (610)	16,800	28,543	70 (21)	85 (26)
6	CEH0963*S6H^A	CHG950	105,000	30,800	105,000	30,800	4	24 (610)	16,800	28,543	70 (21)	85 (26)
4	CEH0373*S4H^A	CHF400	43,000	12,600	43,000	12,600	2	24 (610)	9,400	15,971	70 (21)	85 (26)
4	CEH0473*S4H^A	CHF480	53,000	15,500	53,000	15,500	2	24 (610)	9,400	15,971	70 (21)	85 (26)
4	CEH0513*S4H^A	CHF560	60,000	17,600	60,000	17,600	3	24 (610)	13,200	22,427	70 (21)	85 (26)
4	CEH0653*S4H^A	CHF650	70,000	20,500	70,000	20,500	3	24 (610)	13,200	22,427	70 (21)	85 (26)
4	CEH0693*S4H^A	CHF710	77,000	22,600	77,000	22,600	4	24 (610)	17,600	29,903	70 (21)	85 (26)
4	CEH0883*S4H^A	CHF840	91,000	26,700	91,000	26,700	4	24 (610)	17,600	29,903	70 (21)	85 (26)
6	CEH1123*S6H^A	CHG1020	112,000	32,800	112,000	32,800	3	30 (763)	20,700	35,170	100 (30)	115 (35)
6	CEH1343*S6H^A	CHG1200	134,000	39,300	134,000	39,300	3	30 (763)	20,700	35,170	100 (30)	115 (35)
6	CEH1563*S6H^A	CHG1390	156,000	45,700	156,000	45,700	3	30 (763)	24,300	41,286	100 (30)	115 (35)
6	CEH1823*S6H^A	CHG1650	182,000	53,300	182,000	53,300	3	30 (763)	26,550	45,109	120 (37)	140 (43)
6	CEH2333*S6H^A	CHG2120	233,000	68,300	233,000	68,300	4	30 (763)	35,400	60,145	120 (37)	140 (43)
4	CEH0983*S4H^A	CHF890	98,000	28,700	98,000	28,700	3	30 (763)	21,600	36,699	100 (30)	115 (35)
4	CEH1163*S4H^A	CHF1050	116,000	34,000	116,000	34,000	3	30 (763)	21,600	36,699	100 (30)	115 (35)
4	CEH1343*S4H^A	CHF1220	134,000	39,300	134,000	39,300	3	30 (763)	25,200	42,815	100 (30)	115 (35)
4	CEH1583*S4H^A	CHF1440	158,000	46,300	158,000	46,300	3	30 (763)	27,600	46,893	120 (37)	140 (43)
4	CEH2053*S4H^A	CHF1860	205,000	60,100	205,000	60,100	4	30 (763)	36,800	62,524	120 (37)	140 (43)

**Notes:**

<sup>1</sup> = Capacities shown are Application Capacities reflecting nominal operation at 10°F TD. For models within the scope of the DOE AWEF (Annual Walk-in Energy Factor) standard, the Net Capacity is determined by the AHRI 1250 test method. DOE will publish this compliance data at [www.regulations.doe.gov](http://www.regulations.doe.gov)

\* = Electrical Code Designator (see Nomenclature details)

^ = Motor Code Designator (see Nomenclature details)

## Models Not Meeting DOE Minimum AWEF

## PERFORMANCE DATA

Application Capacity: Hot Gas Defrost - 50 Hz

FPI	Model	Legacy Model	R-404A/R-507A		R-448A/R-449A		Fan Data				Air Throw	
			Application Capacity <sup>1</sup>		Application Capacity <sup>1</sup>							
			10°F TD -20°F SST	6°C TD -29°C SST	10°F TD -20°F SST	6°C TD -29°C SST	No. of Fans	Dia. in (mm)	CFM	m <sup>3</sup> H	Standard ft (m)	w/Collar ft (m)
			BTUH	Watts	BTUH	Watts						
6	CEH0423*S6H^A	CHG450	41,400	12,100	45,100	13,200	2	24 (610)	8,100	13,762	70 (21)	85 (26)
6	CEH0513*S6H^A	CHG550	50,000	14,700	56,100	16,400	2	24 (610)	8,100	13,762	70 (21)	85 (26)
6	CEH0573*S6H^A	CHG640	57,700	16,900	63,500	18,600	3	24 (610)	11,300	19,199	70 (21)	85 (26)
6	CEH0713*S6H^A	CHG740	68,100	20,000	74,500	21,800	3	24 (610)	11,300	19,199	70 (21)	85 (26)
6	CEH0763*S6H^A	CHG810	74,500	21,800	81,900	24,000	4	24 (610)	15,100	25,655	70 (21)	85 (26)
6	CEH0963*S6H^A	CHG950	87,400	25,600	96,600	28,300	4	24 (610)	15,100	25,655	70 (21)	85 (26)
4	CEH0373*S4H^A	CHF400	36,800	10,800	39,600	11,600	2	24 (610)	8,500	14,442	70 (21)	85 (26)
4	CEH0473*S4H^A	CHF480	44,200	13,000	48,800	14,300	2	24 (610)	8,500	14,442	70 (21)	85 (26)
4	CEH0513*S4H^A	CHF560	51,500	15,100	55,200	16,200	3	24 (610)	11,900	20,218	70 (21)	85 (26)
4	CEH0653*S4H^A	CHF650	59,800	17,500	64,400	18,900	3	24 (610)	11,900	20,218	70 (21)	85 (26)
4	CEH0693*S4H^A	CHF710	65,300	19,100	70,800	20,700	4	24 (610)	15,900	27,014	70 (21)	85 (26)
4	CEH0883*S4H^A	CHF840	77,300	22,700	83,700	24,500	4	24 (610)	15,900	27,014	70 (21)	85 (26)
6	CEH1123*S6H^A	CHG1020	92,800	27,200	103,000	30,200	3	30 (763)	18,600	31,602	90 (27)	100 (30)
6	CEH1343*S6H^A	CHG1200	110,400	32,400	123,300	36,100	3	30 (763)	18,600	31,602	90 (27)	100 (30)
6	CEH1563*S6H^A	CHG1390	127,900	37,500	143,500	42,100	3	30 (763)	21,900	37,208	90 (27)	100 (30)
6	CEH1823*S6H^A	CHG1650	139,800	41,000	167,400	49,100	3	30 (763)	23,900	40,606	110 (34)	130 (40)
6	CEH2333*S6H^A	CHG2120	187,300	54,900	214,400	62,800	4	30 (763)	31,900	54,198	110 (34)	130 (40)
4	CEH0983*S4H^A	CHF890	81,900	24,000	90,200	26,400	3	30 (763)	19,500	33,131	90 (27)	100 (30)
4	CEH1163*S4H^A	CHF1050	96,600	28,300	106,700	31,300	3	30 (763)	19,500	33,131	90 (27)	100 (30)
4	CEH1343*S4H^A	CHF1220	112,200	32,900	123,300	36,100	3	30 (763)	22,700	38,568	90 (27)	100 (30)
4	CEH1583*S4H^A	CHF1440	129,900	38,100	145,400	42,600	3	30 (763)	24,900	42,305	110 (34)	130 (40)
4	CEH2053*S4H^A	CHF1860	171,100	50,100	188,600	55,300	4	30 (763)	33,100	56,237	110 (34)	130 (40)

## Notes:

<sup>1</sup> = Capacities shown are Application Capacities reflecting nominal operation at 10°F TD. For models within the scope of the DOE AWEF (Annual Walk-in Energy Factor) standard, the Net Capacity is determined by the AHRI 1250 test method. DOE will publish this compliance data at [www.regulations.doe.gov](http://www.regulations.doe.gov)

\* = Electrical Code Designator (see Nomenclature details)

^ = Motor Code Designator (see Nomenclature details)

# Models Not Meeting DOE Minimum AWEF

## PERFORMANCE DATA

Application Capacity: Hot Gas Defrost - 50 Hz

FPI	Model	Legacy Model	R-407A/R-407F		R-407C		Fan Data				Air Throw	
			Application Capacity <sup>1</sup>		Application Capacity <sup>1</sup>							
			10°F TD -20°F SST	6°C TD -29°C SST	10°F TD -20°F SST	6°C TD -29°C SST	No. of Fans	Dia. in (mm)	CFM	m <sup>3</sup> H	Standard ft (m)	w/Collar ft (m)
			BTUH	Watts	BTUH	Watts						
6	CEH0423*S6H^A	CHG450	45,100	13,200	45,100	13,200	2	24 (610)	8,100	13,762	70 (21)	85 (26)
6	CEH0513*S6H^A	CHG550	56,100	16,400	56,100	16,400	2	24 (610)	8,100	13,762	70 (21)	85 (26)
6	CEH0573*S6H^A	CHG640	63,500	18,600	63,500	18,600	3	24 (610)	11,300	19,199	70 (21)	85 (26)
6	CEH0713*S6H^A	CHG740	74,500	21,800	74,500	21,800	3	24 (610)	11,300	19,199	70 (21)	85 (26)
6	CEH0763*S6H^A	CHG810	81,900	24,000	81,900	24,000	4	24 (610)	15,100	25,655	70 (21)	85 (26)
6	CEH0963*S6H^A	CHG950	96,600	28,300	96,600	28,300	4	24 (610)	15,100	25,655	70 (21)	85 (26)
4	CEH0373*S4H^A	CHF400	39,600	11,600	39,600	11,600	2	24 (610)	8,500	14,442	70 (21)	85 (26)
4	CEH0473*S4H^A	CHF480	48,800	14,300	48,800	14,300	2	24 (610)	8,500	14,442	70 (21)	85 (26)
4	CEH0513*S4H^A	CHF560	55,200	16,200	55,200	16,200	3	24 (610)	11,900	20,218	70 (21)	85 (26)
4	CEH0653*S4H^A	CHF650	64,400	18,900	64,400	18,900	3	24 (610)	11,900	20,218	70 (21)	85 (26)
4	CEH0693*S4H^A	CHF710	70,800	20,700	70,800	20,700	4	24 (610)	15,900	27,014	70 (21)	85 (26)
4	CEH0883*S4H^A	CHF840	83,700	24,500	83,700	24,500	4	24 (610)	15,900	27,014	70 (21)	85 (26)
6	CEH1123*S6H^A	CHG1020	103,000	30,200	103,000	30,200	3	30 (763)	18,600	31,602	90 (27)	100 (30)
6	CEH1343*S6H^A	CHG1200	123,300	36,100	123,300	36,100	3	30 (763)	18,600	31,602	90 (27)	100 (30)
6	CEH1563*S6H^A	CHG1390	143,500	42,100	143,500	42,100	3	30 (763)	21,900	37,208	90 (27)	100 (30)
6	CEH1823*S6H^A	CHG1650	167,400	49,100	167,400	49,100	3	30 (763)	23,900	40,606	110 (34)	130 (40)
6	CEH2333*S6H^A	CHG2120	214,400	62,800	214,400	62,800	4	30 (763)	31,900	54,198	110 (34)	130 (40)
4	CEH0983*S4H^A	CHF890	90,200	26,400	90,200	26,400	3	30 (763)	19,500	33,131	90 (27)	100 (30)
4	CEH1163*S4H^A	CHF1050	106,700	31,300	106,700	31,300	3	30 (763)	19,500	33,131	90 (27)	100 (30)
4	CEH1343*S4H^A	CHF1220	123,300	36,100	123,300	36,100	3	30 (763)	22,700	38,568	90 (27)	100 (30)
4	CEH1583*S4H^A	CHF1440	145,400	42,600	145,400	42,600	3	30 (763)	24,900	42,305	110 (34)	130 (40)
4	CEH2053*S4H^A	CHF1860	188,600	55,300	188,600	55,300	4	30 (763)	33,100	56,237	110 (34)	130 (40)

**Notes:**

<sup>1</sup> = Capacities shown are Application Capacities reflecting nominal operation at 10°F TD. For models within the scope of the DOE AWEF (Annual Walk-in Energy Factor) standard, the Net Capacity is determined by the AHRI 1250 test method. DOE will publish this compliance data at [www.regulations.doe.gov](http://www.regulations.doe.gov)

\* = Electrical Code Designator (see Nomenclature details)

^ = Motor Code Designator (see Nomenclature details)

## Models Not Meeting DOE Minimum AWEF

## PERFORMANCE DATA

Application Capacity: Hot Gas Defrost High CFM - 60 Hz

FPI	Model	Legacy Model	R-404A/R-507A		R-448A/R-449A		Fan Data				Air Throw	
			Application Capacity <sup>1</sup>		Application Capacity <sup>1</sup>							
			10°F TD -20°F SST	6°C TD -29°C SST	10°F TD -20°F SST	6°C TD -29°C SST	No. of Fans	Dia. in (mm)	CFM	m <sup>3</sup> H	Standard ft (m)	w/Collar ft (m)
			BTUH	Watts	BTUH	Watts						
6	CEH0423*S6HHA	CHG450*V	49,500	14,500	53,900	15,800	2	24 (610)	11,300	19,199	85 (26)	100 (30)
6	CEH0513*S6HHA	CHG550*V	59,800	17,500	67,100	19,700	2	24 (610)	11,300	19,199	85 (26)	100 (30)
6	CEH0573*S6HHA	CHG640*V	69,000	20,200	75,900	22,200	3	24 (610)	15,900	27,014	85 (26)	100 (30)
6	CEH0713*S6HHA	CHG740*V	81,400	23,900	89,100	26,100	3	24 (610)	15,900	27,014	85 (26)	100 (30)
6	CEH0763*S6HHA	CHG810*V	89,100	26,100	97,900	28,700	4	24 (610)	21,200	36,019	85 (26)	100 (30)
6	CEH0963*S6HHA	CHG950*V	104,500	30,600	115,500	33,800	4	24 (610)	21,200	36,019	85 (26)	100 (30)
4	CEH0373*S4HHA	CHF400*V	42,000	12,300	45,150	13,200	2	24 (610)	12,200	20,728	85 (26)	100 (30)
4	CEH0473*S4HHA	CHF480*V	50,400	14,800	55,650	16,300	2	24 (610)	12,200	20,728	85 (26)	100 (30)
4	CEH0513*S4HHA	CHF560*V	58,800	17,200	63,000	18,500	3	24 (610)	17,000	28,883	85 (26)	100 (30)
4	CEH0653*S4HHA	CHF650*V	68,250	20,000	73,500	21,500	3	24 (610)	17,000	28,883	85 (26)	100 (30)
4	CEH0693*S4HHA	CHF710*V	74,550	21,800	80,850	23,700	4	24 (610)	22,600	38,398	85 (26)	100 (30)
4	CEH0883*S4HHA	CHF840*V	88,200	25,800	95,550	28,000	4	24 (610)	22,600	38,398	85 (26)	100 (30)
6	CEH1123*S6HHA	CHG1020*V	110,900	32,500	123,200	36,100	3	30 (763)	23,300	39,587	110 (34)	130 (40)
6	CEH1343*S6HHA	CHG1200*V	132,000	38,700	147,400	43,200	3	30 (763)	23,300	39,587	110 (34)	130 (40)
6	CEH1563*S6HHA	CHG1390*V	152,900	44,800	171,600	50,300	3	30 (763)	28,000	47,572	110 (34)	130 (40)
6	CEH1823*S6HHA	CHG1650*V	167,200	49,000	200,200	58,700	3	30 (763)	29,700	50,461	130 (40)	150 (46)
6	CEH2333*S6HHA	CHG2120*V	223,900	65,600	256,300	75,100	4	30 (763)	39,600	67,281	130 (40)	150 (46)
4	CEH0983*S4HHA	CHF890*V	93,450	27,400	102,900	30,200	3	30 (763)	23,800	40,436	110 (34)	130 (40)
4	CEH1163*S4HHA	CHF1050*V	110,250	32,300	121,800	35,700	3	30 (763)	23,800	40,436	110 (34)	130 (40)
4	CEH1343*S4HHA	CHF1220*V	128,100	37,500	140,700	41,200	3	30 (763)	28,600	48,592	110 (34)	130 (40)
4	CEH1583*S4HHA	CHF1440*V	148,200	43,400	165,900	48,600	3	30 (763)	30,600	51,990	130 (40)	150 (46)
4	CEH2053*S4HHA	CHF1860*V	195,300	57,200	215,250	63,100	4	30 (763)	40,800	69,320	130 (40)	150 (46)

## Notes:

<sup>1</sup> = Capacities shown are Application Capacities reflecting nominal operation at 10°F TD. For models within the scope of the DOE AWEF (Annual Walk-in Energy Factor) standard, the Net Capacity is determined by the AHRI 1250 test method. DOE will publish this compliance data at [www.regulations.doe.gov](http://www.regulations.doe.gov)

\* = Electrical Code Designator (see Nomenclature details)

# Models Not Meeting DOE Minimum AWEF

## PERFORMANCE DATA

Application Capacity: Hot Gas Defrost High CFM - 60 Hz

FPI	Model	Legacy Model	R-407A/R-407F		R-407C		Fan Data				Air Throw	
			Application Capacity <sup>1</sup>		Application Capacity <sup>1</sup>							
			10°F TD -20°F SST	6°C TD -29°C SST	10°F TD -20°F SST	6°C TD -29°C SST	No. of Fans	Dia. in (mm)	CFM	m <sup>3</sup> H	Standard ft (m)	w/Collar ft (m)
			BTUH	Watts	BTUH	Watts						
6	CEH0423*S6HHA	CHG450*V	53,900	15,800	53,900	15,800	2	24 (610)	11,300	19,199	85 (26)	100 (30)
6	CEH0513*S6HHA	CHG550*V	67,100	19,700	67,100	19,700	2	24 (610)	11,300	19,199	85 (26)	100 (30)
6	CEH0573*S6HHA	CHG640*V	75,900	22,200	75,900	22,200	3	24 (610)	15,900	27,014	85 (26)	100 (30)
6	CEH0713*S6HHA	CHG740*V	89,100	26,100	89,100	26,100	3	24 (610)	15,900	27,014	85 (26)	100 (30)
6	CEH0763*S6HHA	CHG810*V	97,900	28,700	97,900	28,700	4	24 (610)	21,200	36,019	85 (26)	100 (30)
6	CEH0963*S6HHA	CHG950*V	115,500	33,800	115,500	33,800	4	24 (610)	21,200	36,019	85 (26)	100 (30)
4	CEH0373*S4HHA	CHF400*V	45,150	13,200	45,150	13,200	2	24 (610)	12,200	20,728	85 (26)	100 (30)
4	CEH0473*S4HHA	CHF480*V	55,650	16,300	55,650	16,300	2	24 (610)	12,200	20,728	85 (26)	100 (30)
4	CEH0513*S4HHA	CHF560*V	63,000	18,500	63,000	18,500	3	24 (610)	17,000	28,883	85 (26)	100 (30)
4	CEH0653*S4HHA	CHF650*V	73,500	21,500	73,500	21,500	3	24 (610)	17,000	28,883	85 (26)	100 (30)
4	CEH0693*S4HHA	CHF710*V	80,850	23,700	80,850	23,700	4	24 (610)	22,600	38,398	85 (26)	100 (30)
4	CEH0883*S4HHA	CHF840*V	95,550	28,000	95,550	28,000	4	24 (610)	22,600	38,398	85 (26)	100 (30)
6	CEH1123*S6HHA	CHG1020*V	123,200	36,100	123,200	36,100	3	30 (763)	23,300	39,587	110 (34)	130 (40)
6	CEH1343*S6HHA	CHG1200*V	147,400	43,200	147,400	43,200	3	30 (763)	23,300	39,587	110 (34)	130 (40)
6	CEH1563*S6HHA	CHG1390*V	171,600	50,300	171,600	50,300	3	30 (763)	28,000	47,572	110 (34)	130 (40)
6	CEH1823*S6HHA	CHG1650*V	200,200	58,700	200,200	58,700	3	30 (763)	29,700	50,461	130 (40)	150 (46)
6	CEH2333*S6HHA	CHG2120*V	256,300	75,100	256,300	75,100	4	30 (763)	39,600	67,281	130 (40)	150 (46)
4	CEH0983*S4HHA	CHF890*V	102,900	30,200	102,900	30,200	3	30 (763)	23,800	40,436	110 (34)	130 (40)
4	CEH1163*S4HHA	CHF1050*V	121,800	35,700	121,800	35,700	3	30 (763)	23,800	40,436	110 (34)	130 (40)
4	CEH1343*S4HHA	CHF1220*V	140,700	41,200	140,700	41,200	3	30 (763)	28,600	48,592	110 (34)	130 (40)
4	CEH1583*S4HHA	CHF1440*V	165,900	48,600	165,900	48,600	3	30 (763)	30,600	51,990	130 (40)	150 (46)
4	CEH2053*S4HHA	CHF1860*V	215,250	63,100	215,250	63,100	4	30 (763)	40,800	69,320	130 (40)	150 (46)

**Notes:**

<sup>1</sup> = Capacities shown are Application Capacities reflecting nominal operation at 10°F TD. For models within the scope of the DOE AWEF (Annual Walk-in Energy Factor) standard, the Net Capacity is determined by the AHRI 1250 test method. DOE will publish this compliance data at [www.regulations.doe.gov](http://www.regulations.doe.gov)

\* = Electrical Code Designator (see Nomenclature details)

## Models Not Meeting DOE Minimum AWEF

## SPECIFICATIONS

Hot Gas Defrost - 60 Hz

FPI	Model	Fan Diameter	HP	2-Speed EC and Variable Speed EC Motors								Drain Pan Heaters †		
		in (mm)		208-230/3/60				460/3/60				Watts	Total Amps	
				Amps	Watts	MCA	MOPD	Amps	Watts	MCA	MOPD		208-230/1/60	460/1/60
6	CEH0423*S6H^A	24 (610)	3/4	4.4	1,119	5.0	15.0	2.2	1,119	2.5	15.0	2,100	9.2	4.6
6	CEH0513*S6H^A	24 (610)	3/4	4.4	1,119	5.0	15.0	2.2	1,119	2.5	15.0	2,100	9.2	4.6
6	CEH0573*S6H^A	24 (610)	3/4	6.6	1,679	7.2	15.0	3.3	1,679	3.6	15.0	2,700	11.8	5.9
6	CEH0713*S6H^A	24 (610)	3/4	6.6	1,679	7.2	15.0	3.3	1,679	3.6	15.0	2,700	11.8	5.9
6	CEH0763*S6H^A	24 (610)	3/4	8.8	2,238	9.4	15.0	4.4	2,238	4.7	15.0	4,000	17.4	8.7
6	CEH0963*S6H^A	24 (610)	3/4	8.8	2,238	9.4	15.0	4.4	2,238	4.7	15.0	4,000	17.4	8.7
4	CEH0373*S4H^A	24 (610)	3/4	4.4	1,119	5.0	15.0	2.2	1,119	2.5	15.0	2,100	9.2	4.6
4	CEH0473*S4H^A	24 (610)	3/4	4.4	1,119	5.0	15.0	2.2	1,119	2.5	15.0	2,100	9.2	4.6
4	CEH0513*S4H^A	24 (610)	3/4	6.6	1,679	7.2	15.0	3.3	1,679	3.6	15.0	2,700	11.8	5.9
4	CEH0653*S4H^A	24 (610)	3/4	6.6	1,679	7.2	15.0	3.3	1,679	3.6	15.0	2,700	11.8	5.9
4	CEH0693*S4H^A	24 (610)	3/4	8.8	2,238	9.4	15.0	4.4	2,238	4.7	15.0	4,000	17.4	8.7
4	CEH0883*S4H^A	24 (610)	3/4	8.8	2,238	9.4	15.0	4.4	2,238	4.7	15.0	4,000	17.4	8.7
6	CEH1123*S6H^A	30 (763)	1-1/2	11.1	3,356	12.0	20.0	5.7	3,356	6.2	15.0	4,000	17.4	8.7
6	CEH1343*S6H^A	30 (763)	1-1/2	11.1	3,356	12.0	20.0	5.7	3,356	6.2	15.0	4,000	17.4	8.7
6	CEH1563*S6H^A	30 (763)	1-1/2	11.1	3,356	12.0	20.0	5.7	3,356	6.2	15.0	4,000	17.4	8.7
6	CEH1823*S6H^A	30 (763)	1-1/2	11.1	3,356	12.0	20.0	5.7	3,356	6.2	15.0	4,200	18.2	9.1
6	CEH2333*S6H^A	30 (763)	1-1/2	14.8	4,474	15.7	25.0	7.6	4,474	8.1	15.0	6,450	23.2**	14.0
4	CEH0983*S4H^A	30 (763)	1-1/2	11.1	3,356	12.0	20.0	5.7	3,356	6.2	15.0	4,000	17.4	8.7
4	CEH1163*S4H^A	30 (763)	1-1/2	11.1	3,356	12.0	20.0	5.7	3,356	6.2	15.0	4,000	17.4	8.7
4	CEH1343*S4H^A	30 (763)	1-1/2	11.1	3,356	12.0	20.0	5.7	3,356	6.2	15.0	4,000	17.4	8.7
4	CEH1583*S4H^A	30 (763)	1-1/2	11.1	3,356	12.0	20.0	5.7	3,356	6.2	15.0	4,200	18.2	9.1
4	CEH2053*S4H^A	30 (763)	1-1/2	14.8	4,474	15.7	25.0	7.6	4,474	8.1	15.0	6,450	23.2**	14.0

## Notes:

\* = Electrical Code Designator (see Nomenclature details)

^ = Motor Code Designator (see Nomenclature details)

\*\* = This model with 3-Phase drain pan heaters

† = Hot gas drain pan available



# Models Not Meeting DOE Minimum AWEF

## SPECIFICATIONS

Hot Gas Defrost - 60 Hz

FPI	Model	Fan Diameter	HP	3 Phase AC Open Drip Proof Rail Mount								Drain Pan Heaters †		
		in (mm)		208-230/3/60				460/3/60				Watts	Total Amps	
				Amps	Watts	MCA	MOPD	Amps	Watts	MCA	MOPD		208-230/1/60	460/1/60
6	CEH0423*S6H^A	24 (610)	3/4	4.4	1,119	5.0	15.0	2.2	1,119	2.5	15.0	2,100	9.2	4.6
6	CEH0513*S6H^A	24 (610)	3/4	4.4	1,119	5.0	15.0	2.2	1,119	2.5	15.0	2,100	9.2	4.6
6	CEH0573*S6H^A	24 (610)	3/4	6.6	1,679	7.2	15.0	3.3	1,679	3.6	15.0	2,700	11.8	5.9
6	CEH0713*S6H^A	24 (610)	3/4	6.6	1,679	7.2	15.0	3.3	1,679	3.6	15.0	2,700	11.8	5.9
6	CEH0763*S6H^A	24 (610)	3/4	8.8	2,238	9.4	15.0	4.4	2,238	4.7	15.0	4,000	17.4	8.7
6	CEH0963*S6H^A	24 (610)	3/4	8.8	2,238	9.4	15.0	4.4	2,238	4.7	15.0	4,000	17.4	8.7
4	CEH0373*S4H^A	24 (610)	3/4	4.4	1,119	5.0	15.0	2.2	1,119	2.5	15.0	2,100	9.2	4.6
4	CEH0473*S4H^A	24 (610)	3/4	4.4	1,119	5.0	15.0	2.2	1,119	2.5	15.0	2,100	9.2	4.6
4	CEH0513*S4H^A	24 (610)	3/4	6.6	1,679	7.2	15.0	3.3	1,679	3.6	15.0	2,700	11.8	5.9
4	CEH0653*S4H^A	24 (610)	3/4	6.6	1,679	7.2	15.0	3.3	1,679	3.6	15.0	2,700	11.8	5.9
4	CEH0693*S4H^A	24 (610)	3/4	8.8	2,238	9.4	15.0	4.4	2,238	4.7	15.0	4,000	17.4	8.7
4	CEH0883*S4H^A	24 (610)	3/4	8.8	2,238	9.4	15.0	4.4	2,238	4.7	15.0	4,000	17.4	8.7
6	CEH1123*S6H^A	30 (763)	1-1/2	11.1	3,356	12.0	20.0	5.7	3,356	6.2	15.0	4,000	17.4	8.7
6	CEH1343*S6H^A	30 (763)	1-1/2	11.1	3,356	12.0	20.0	5.7	3,356	6.2	15.0	4,000	17.4	8.7
6	CEH1563*S6H^A	30 (763)	1-1/2	11.1	3,356	12.0	20.0	5.7	3,356	6.2	15.0	4,000	17.4	8.7
6	CEH1823*S6H^A	30 (763)	1-1/2	11.1	3,356	12.0	20.0	5.7	3,356	6.2	15.0	4,200	18.2	9.1
6	CEH2333*S6H^A	30 (763)	1-1/2	14.8	4,474	15.7	25.0	7.6	4,474	8.1	15.0	6,450	23.2**	14.0
4	CEH0983*S4H^A	30 (763)	1-1/2	11.1	3,356	12.0	20.0	5.7	3,356	6.2	15.0	4,000	17.4	8.7
4	CEH1163*S4H^A	30 (763)	1-1/2	11.1	3,356	12.0	20.0	5.7	3,356	6.2	15.0	4,000	17.4	8.7
4	CEH1343*S4H^A	30 (763)	1-1/2	11.1	3,356	12.0	20.0	5.7	3,356	6.2	15.0	4,000	17.4	8.7
4	CEH1583*S4H^A	30 (763)	1-1/2	11.1	3,356	12.0	20.0	5.7	3,356	6.2	15.0	4,200	18.2	9.1
4	CEH2053*S4H^A	30 (763)	1-1/2	14.8	4,474	15.7	25.0	7.6	4,474	8.1	15.0	6,450	23.2**	14.0

**Notes:**

\* = Electrical Code Designator (see Nomenclature details)

^ = Motor Code Designator (see Nomenclature details)

\*\* = This model with 3-Phase drain pan heaters

† = Hot gas drain pan available

## Models Not Meeting DOE Minimum AWEF

## SPECIFICATIONS

Hot Gas Defrost - 60 Hz

FPI	Model	Fan Diameter	HP	3 Phase AC Totally Enclosed Rail Mount								Drain Pan Heaters †		
		in (mm)		208-230/3/60				460/3/60				Watts	Total Amps	
				Amps	Watts	MCA	MOPD	Amps	Watts	MCA	MOPD		208-230/1/60	460/1/60
6	CEH0423*S6H^A	24 (610)	3/4	4.4	1,119	5.0	15.0	2.2	1,119	2.5	15.0	2,100	9.2	4.6
6	CEH0513*S6H^A	24 (610)	3/4	4.4	1,119	5.0	15.0	2.2	1,119	2.5	15.0	2,100	9.2	4.6
6	CEH0573*S6H^A	24 (610)	3/4	6.6	1,679	7.2	15.0	3.3	1,679	3.6	15.0	2,700	11.8	5.9
6	CEH0713*S6H^A	24 (610)	3/4	6.6	1,679	7.2	15.0	3.3	1,679	3.6	15.0	2,700	11.8	5.9
6	CEH0763*S6H^A	24 (610)	3/4	8.8	2,238	9.4	15.0	4.4	2,238	4.7	15.0	4,000	17.4	8.7
6	CEH0963*S6H^A	24 (610)	3/4	8.8	2,238	9.4	15.0	4.4	2,238	4.7	15.0	4,000	17.4	8.7
4	CEH0373*S4H^A	24 (610)	3/4	4.4	1,119	5.0	15.0	2.2	1,119	2.5	15.0	2,100	9.2	4.6
4	CEH0473*S4H^A	24 (610)	3/4	4.4	1,119	5.0	15.0	2.2	1,119	2.5	15.0	2,100	9.2	4.6
4	CEH0513*S4H^A	24 (610)	3/4	6.6	1,679	7.2	15.0	3.3	1,679	3.6	15.0	2,700	11.8	5.9
4	CEH0653*S4H^A	24 (610)	3/4	6.6	1,679	7.2	15.0	3.3	1,679	3.6	15.0	2,700	11.8	5.9
4	CEH0693*S4H^A	24 (610)	3/4	8.8	2,238	9.4	15.0	4.4	2,238	4.7	15.0	4,000	17.4	8.7
4	CEH0883*S4H^A	24 (610)	3/4	8.8	2,238	9.4	15.0	4.4	2,238	4.7	15.0	4,000	17.4	8.7
6	CEH1123*S6H^A	30 (763)	1-1/2	11.1	3,356	12.0	20.0	5.7	3,356	6.2	15.0	4,000	17.4	8.7
6	CEH1343*S6H^A	30 (763)	1-1/2	11.1	3,356	12.0	20.0	5.7	3,356	6.2	15.0	4,000	17.4	8.7
6	CEH1563*S6H^A	30 (763)	1-1/2	11.1	3,356	12.0	20.0	5.7	3,356	6.2	15.0	4,000	17.4	8.7
6	CEH1823*S6H^A	30 (763)	1-1/2	11.1	3,356	12.0	20.0	5.7	3,356	6.2	15.0	4,200	18.2	9.1
6	CEH2333*S6H^A	30 (763)	1-1/2	14.8	4,474	15.7	25.0	7.6	4,474	8.1	15.0	6,450	23.2**	14.0
4	CEH0983*S4H^A	30 (763)	1-1/2	11.1	3,356	12.0	20.0	5.7	3,356	6.2	15.0	4,000	17.4	8.7
4	CEH1163*S4H^A	30 (763)	1-1/2	11.1	3,356	12.0	20.0	5.7	3,356	6.2	15.0	4,000	17.4	8.7
4	CEH1343*S4H^A	30 (763)	1-1/2	11.1	3,356	12.0	20.0	5.7	3,356	6.2	15.0	4,000	17.4	8.7
4	CEH1583*S4H^A	30 (763)	1-1/2	11.1	3,356	12.0	20.0	5.7	3,356	6.2	15.0	4,200	18.2	9.1
4	CEH2053*S4H^A	30 (763)	1-1/2	14.8	4,474	15.7	25.0	7.6	4,474	8.1	15.0	6,450	23.2**	14.0

## Notes:

\* = Electrical Code Designator (see Nomenclature details)

^ = Motor Code Designator (see Nomenclature details)

\*\* = This model with 3-Phase drain pan heaters

† = Hot gas drain pan available

# Models Not Meeting DOE Minimum AWEF

## SPECIFICATIONS

Hot Gas Defrost - 60 Hz

FPI	Model	Fan Diameter	HP	3 Phase AC Totally Enclosed Rail Mount				Drain Pan Heaters †	
		in (mm)		575/3/60				Watts	Total Amps
				Amps	Watts	MCA	MOPD		575/1/60
6	CEH0423*S6H^A	24 (610)	1/2	1.8	746	2.0	15.0	2,100	3.7
6	CEH0513*S6H^A	24 (610)	1/2	1.8	746	2.0	15.0	2,100	3.7
6	CEH0573*S6H^A	24 (610)	1/2	2.7	1,119	2.9	15.0	2,700	4.7
6	CEH0713*S6H^A	24 (610)	1/2	2.7	1,119	2.9	15.0	2,700	4.7
6	CEH0763*S6H^A	24 (610)	1/2	3.6	1,492	3.8	15.0	4,000	6.9
6	CEH0963*S6H^A	24 (610)	1/2	3.6	1,492	3.8	15.0	4,000	6.9
4	CEH0373*S4H^A	24 (610)	1/2	1.8	746	2.0	15.0	2,100	3.7
4	CEH0473*S4H^A	24 (610)	1/2	1.8	746	2.0	15.0	2,100	3.7
4	CEH0513*S4H^A	24 (610)	1/2	2.7	1,119	2.9	15.0	2,700	4.7
4	CEH0653*S4H^A	24 (610)	1/2	2.7	1,119	2.9	15.0	2,700	4.7
4	CEH0693*S4H^A	24 (610)	1/2	3.6	1,492	3.8	15.0	4,000	6.9
4	CEH0883*S4H^A	24 (610)	1/2	3.6	1,492	3.8	15.0	4,000	6.9
6	CEH1823*S6H^A	30 (763)	1-1/2	7.8	2,237	8.5	15.0	4,200	7.3
6	CEH2333*S6H^A	30 (763)	1-1/2	11.2	4,474	11.9	20.0	6,450	11.2
4	CEH1583*S4H^A	30 (763)	1-1/2	7.8	2,237	8.5	15.0	4,200	7.3
4	CEH2053*S4H^A	30 (763)	1-1/2	11.2	4,474	11.9	20.0	6,450	11.2

FPI	Model	Fan Diameter	HP	3 Phase AC Open Drip Proof Rail Mount				Drain Pan Heaters †	
		in (mm)		575/3/60				Watts	Total Amps
				Amps	Watts	MCA	MOPD		575/1/60
6	CEH1123*S6H^A	30 (763)	1-1/2	7.8	2,237	8.5	15.0	4,000	6.9
6	CEH1343*S6H^A	30 (763)	1-1/2	7.8	2,237	8.5	15.0	4,000	6.9
6	CEH1563*S6H^A	30 (763)	1-1/2	7.8	2,237	8.5	15.0	4,000	6.9
4	CEH0983*S4H^A	30 (763)	1-1/2	7.8	2,237	8.5	15.0	4,000	6.9
4	CEH1163*S4H^A	30 (763)	1-1/2	7.8	2,237	8.5	15.0	4,000	6.9
4	CEH1343*S4H^A	30 (763)	1-1/2	7.8	2,237	8.5	15.0	4,000	6.9

**Notes:**  
 \* = Electrical Code Designator (see Nomenclature details)  
 ^ = Motor Code Designator (see Nomenclature details)  
 \*\* = This model with 3-Phase drain pan heaters  
 † = Hot gas drain pan available

## Models Not Meeting DOE Minimum AWEF

## SPECIFICATIONS

Hot Gas Defrost - 60 Hz

FPI	Model	Fan Diameter	HP	PSC Open Drip Proof Rail Mount								Drain Pan Heaters <sup>†</sup>		
		in (mm)		208-230/1/60				460/1/60				Watts	Total Amps	
				Amps	Watts	MCA	MOPD	Amps	Watts	MCA	MOPD		208-230/1/60	460/1/60
6	CEH0423*S6H^A	24 (610)	1/2	6.4	746	7.2	20.0	3.4	746	3.8	15.0	2,100	9.2	4.6
6	CEH0513*S6H^A	24 (610)	1/2	6.4	746	7.2	20.0	3.4	746	3.8	15.0	2,100	9.2	4.6
6	CEH0573*S6H^A	24 (610)	1/2	9.6	1,119	10.4	20.0	5.1	1,119	5.5	15.0	2,700	11.8	5.9
6	CEH0713*S6H^A	24 (610)	1/2	9.6	1,119	10.4	20.0	5.1	1,119	5.5	15.0	2,700	11.8	5.9
6	CEH0763*S6H^A	24 (610)	1/2	12.8	1,492	13.6	20.0	6.8	1,492	7.2	15.0	4,000	17.4	8.7
6	CEH0963*S6H^A	24 (610)	1/2	12.8	1,492	13.6	20.0	6.8	1,492	7.2	15.0	4,000	17.4	8.7
4	CEH0373*S4H^A	24 (610)	1/2	6.4	746	7.2	20.0	3.4	746	3.8	15.0	2,100	9.2	4.6
4	CEH0473*S4H^A	24 (610)	1/2	6.4	746	7.2	20.0	3.4	746	3.8	15.0	2,100	9.2	4.6
4	CEH0513*S4H^A	24 (610)	1/2	9.6	1,119	10.4	20.0	5.1	1,119	5.5	15.0	2,700	11.8	5.9
4	CEH0653*S4H^A	24 (610)	1/2	9.6	1,119	10.4	20.0	5.1	1,119	5.5	15.0	2,700	11.8	5.9
4	CEH0693*S4H^A	24 (610)	1/2	12.8	1,492	13.6	20.0	6.8	1,492	7.2	15.0	4,000	17.4	8.7
4	CEH0883*S4H^A	24 (610)	1/2	12.8	1,492	13.6	20.0	6.8	1,492	7.2	15.0	4,000	17.4	8.7

## Notes:

\* = Electrical Code Designator (see Nomenclature details)

^ = Motor Code Designator (see Nomenclature details)

\*\* = This model with 3-Phase drain pan heaters

† = Hot gas drain pan available

# Models Not Meeting DOE Minimum AWEF

## SPECIFICATIONS

Hot Gas Defrost - 50 Hz

FPI	Model	Fan Diameter	HP	3 Phase AC Open Drip Proof Rail Mount				Drain Pan Heaters †	
		in (mm)		380-400/3/50				Watts	Total Amps
				Amps	Watts	MCA	MOPD		380-400/3/50
6	CEH0423*S6H^A	24 (610)	3/4	4.0	1,119	4.5	15.0	1,430	3.8
6	CEH0513*S6H^A	24 (610)	3/4	4.0	1,119	4.5	15.0	1,430	3.8
6	CEH0573*S6H^A	24 (610)	3/4	6.0	1,679	6.5	15.0	1,840	4.9
6	CEH0713*S6H^A	24 (610)	3/4	6.0	1,679	6.5	15.0	1,840	4.9
6	CEH0763*S6H^A	24 (610)	3/4	8.0	2,238	8.5	15.0	2,730	7.2
6	CEH0963*S6H^A	24 (610)	3/4	8.0	2,238	8.5	15.0	2,730	7.2
4	CEH0373*S4H^A	24 (610)	3/4	4.0	1,119	4.5	15.0	1,430	3.8
4	CEH0473*S4H^A	24 (610)	3/4	4.0	1,119	4.5	15.0	1,430	3.8
4	CEH0513*S4H^A	24 (610)	3/4	6.0	1,679	6.5	15.0	1,840	4.9
4	CEH0653*S4H^A	24 (610)	3/4	6.0	1,679	6.5	15.0	1,840	4.9
4	CEH0693*S4H^A	24 (610)	3/4	8.0	2,238	8.5	15.0	2,730	7.2
4	CEH0883*S4H^A	24 (610)	3/4	8.0	2,238	8.5	15.0	2,730	7.2
6	CEH1123*S6H^A	30 (763)	1	6.9	2,237	7.5	15.0	2,730	7.2
6	CEH1343*S6H^A	30 (763)	1	6.9	2,237	7.5	15.0	2,730	7.2
6	CEH1563*S6H^A	30 (763)	1-1/2	9.9	3,356	10.7	20.0	2,730	7.2
6	CEH1823*S6H^A	30 (763)	1-1/2	10.5	3,356	11.4	20.0	2,870	7.5
6	CEH2333*S6H^A	30 (763)	1-1/2	14.0	4,474	14.9	25.0	4,410	11.6
4	CEH0983*S4H^A	30 (763)	1	6.9	2,237	7.5	15.0	2,730	7.2
4	CEH1163*S4H^A	30 (763)	1	6.9	2,237	7.5	15.0	2,730	7.2
4	CEH1343*S4H^A	30 (763)	1-1/2	9.9	3,356	10.7	20.0	2,730	7.2
4	CEH1583*S4H^A	30 (763)	1-1/2	10.5	3,356	11.4	20.0	2,870	7.5
4	CEH2053*S4H^A	30 (763)	1-1/2	14.0	4,474	14.9	25.0	4,410	11.6

**Notes:**

\* = Electrical Code Designator (see Nomenclature details)

^ = Motor Code Designator (see Nomenclature details)

\*\* = This model with 3-Phase drain pan heaters

† = Hot gas drain pan available

## Models Not Meeting DOE Minimum AWEF

## SPECIFICATIONS

Hot Gas Defrost - 50 Hz

FPI	Model	Fan Diameter	HP	3 Phase AC Totally Enclosed Rail Mount				Drain Pan Heaters †	
		in (mm)		380-400/3/50				Watts	Total Amps
				Amps	Watts	MCA	MOPD		380-400/3/50
6	CEH0423*S6H^A	24 (610)	1	4.6	1,492	5.2	15.0	1,430	3.8
6	CEH0513*S6H^A	24 (610)	1	4.6	1,492	5.2	15.0	1,430	3.8
6	CEH0573*S6H^A	24 (610)	1	6.9	2,238	7.5	15.0	1,840	4.9
6	CEH0713*S6H^A	24 (610)	1	6.9	2,238	7.5	15.0	1,840	4.9
6	CEH0763*S6H^A	24 (610)	1	9.2	2,984	9.6	15.0	2,730	7.2
6	CEH0963*S6H^A	24 (610)	1	9.2	2,984	9.6	15.0	2,730	7.2
4	CEH0373*S4H^A	24 (610)	1	4.6	1,492	5.2	15.0	1,430	3.8
4	CEH0473*S4H^A	24 (610)	1	4.6	1,492	5.2	15.0	1,430	3.8
4	CEH0513*S4H^A	24 (610)	1	6.9	2,238	7.5	15.0	1,840	4.9
4	CEH0653*S4H^A	24 (610)	1	6.9	2,238	7.5	15.0	1,840	4.9
4	CEH0693*S4H^A	24 (610)	1	9.2	2,984	9.6	15.0	2,730	7.2
4	CEH0883*S4H^A	24 (610)	1	9.2	2,984	9.6	15.0	2,730	7.2
6	CEH1123*S6H^A	30 (763)	1-1/2	7.8	3,356	8.5	15.0	2,730	7.2
6	CEH1343*S6H^A	30 (763)	1-1/2	7.8	3,356	8.5	15.0	2,730	7.2
6	CEH1563*S6H^A	30 (763)	1-1/2	7.8	3,356	8.5	15.0	2,730	7.2
6	CEH1823*S6H^A	30 (763)	1-1/2	7.8	3,356	8.5	15.0	2,870	7.5
6	CEH2333*S6H^A	30 (763)	1-1/2	10.4	4,474	11.1	15.0	4,410	11.6
4	CEH0983*S4H^A	30 (763)	1-1/2	7.8	3,356	8.5	15.0	2,730	7.2
4	CEH1163*S4H^A	30 (763)	1-1/2	7.8	3,356	8.5	15.0	2,730	7.2
4	CEH1343*S4H^A	30 (763)	1-1/2	7.8	3,356	8.5	15.0	2,730	7.2
4	CEH1583*S4H^A	30 (763)	1-1/2	7.8	3,356	8.5	15.0	2,870	7.5
4	CEH2053*S4H^A	30 (763)	1-1/2	10.4	4,474	11.1	15.0	4,410	11.6

## Notes:

\* = Electrical Code Designator (see Nomenclature details)

^ = Motor Code Designator (see Nomenclature details)

\*\* = This model with 3-Phase drain pan heaters

† = Hot gas drain pan available

# Models Not Meeting DOE Minimum AWEF

## SPECIFICATIONS

Hot Gas Defrost High CFM - 60 Hz

FPI	Model	Fan Diameter	HP	High CFM Rail Mount								Drain Pan Heaters †		
		in (mm)		208-230/3/60				460/3/60				Watts	Total Amps	
				Amps	Watts	MCA	MOPD	Amps	Watts	MCA	MOPD		208-230/1/60	460/1/60
6	CEH0423*S6H^A	24 (610)	2	12.0	2,984	13.5	30.0	6.0	2,984	6.80	15.0	2100	9.2	4.6
6	CEH0513*S6H^A	24 (610)	2	12.0	2,984	13.5	30.0	6.0	2,984	6.80	15.0	2100	9.2	4.6
6	CEH0573*S6H^A	24 (610)	2	18.0	4,476	19.5	35.0	9.0	4,476	9.80	15.0	2700	11.8	5.9
6	CEH0713*S6H^A	24 (610)	2	18.0	4,476	19.5	35.0	9.0	4,476	9.80	15.0	2700	11.8	5.9
6	CEH0763*S6H^A	24 (610)	2	24.0	5,968	25.5	40.0	12.0	5,968	12.80	20.0	4000	17.4	8.7
6	CEH0963*S6H^A	24 (610)	2	24.0	5,968	25.5	40.0	12.0	5,968	12.80	20.0	4000	17.4	8.7
4	CEH0373*S4H^A	24 (610)	2	12.0	2,984	13.5	30.0	6.0	2,984	6.80	15.0	2100	9.2	4.6
4	CEH0473*S4H^A	24 (610)	2	12.0	2,984	13.5	30.0	6.0	2,984	6.80	15.0	2100	9.2	4.6
4	CEH0513*S4H^A	24 (610)	2	18.0	4,476	19.5	35.0	9.0	4,476	9.80	15.0	2700	11.8	5.9
4	CEH0653*S4H^A	24 (610)	2	18.0	4,476	19.5	35.0	9.0	4,476	9.80	15.0	2700	11.8	5.9
4	CEH0693*S4H^A	24 (610)	2	24.0	5,968	25.5	40.0	12.0	5,968	12.80	20.0	4000	17.4	8.7
4	CEH0883*S4H^A	24 (610)	2	24.0	5,968	25.5	40.0	12.0	5,968	12.80	20.0	4000	17.4	8.7
6	CEH1123*S6H^A	30 (763)	3	24.6	6,711	26.7	45.0	12.3	6,711	13.30	25.0	4000	17.4	8.7
6	CEH1343*S6H^A	30 (763)	3	24.6	6,711	26.7	45.0	12.3	6,711	13.30	25.0	4000	17.4	8.7
6	CEH1563*S6H^A	30 (763)	3	24.6	6,711	26.7	45.0	12.3	6,711	13.30	25.0	4000	17.4	8.7
6	CEH1823*S6H^A	30 (763)	3	24.6	6,711	26.7	45.0	12.3	6,711	13.30	25.0	4200	18.2	9.1
6	CEH2333*S6H^A	30 (763)	3	32.8	8,948	34.9	55.0	16.4	8,948	17.40	25.0	6450	23.2**	14.0
4	CEH0983*S4H^A	30 (763)	3	24.6	6,711	26.7	45.0	12.3	6,711	13.30	25.0	4000	17.4	8.7
4	CEH1163*S4H^A	30 (763)	3	24.6	6,711	26.7	45.0	12.3	6,711	13.30	25.0	4000	17.4	8.7
4	CEH1343*S4H^A	30 (763)	3	24.6	6,711	26.7	45.0	12.3	6,711	13.30	25.0	4000	17.4	8.7
4	CEH1583*S4H^A	30 (763)	3	24.6	6,711	26.7	45.0	12.3	6,711	13.30	25.0	4200	18.2	9.1
4	CEH2053*S4H^A	30 (763)	3	32.8	8,948	34.9	55.0	16.4	8,948	17.40	25.0	6450	23.2**	14.0

**Notes:**

\* = Electrical Code Designator (see Nomenclature details)

^ = Motor Code Designator (see Nomenclature details)

\*\* = This model with 3-Phase drain pan heaters

† = Hot gas drain pan available

TD = Temperature Difference = (Room temperature - saturated suction temperature)

High CFM models can handle external static pressure up to 1/2" of water

High CFM models are designed for operation below 15°F SST

CFM is at 0.0 external static pressure

# PHYSICAL DATA

## Air Defrost

FPI	Model	No. of Fans	Fan Diameter	Connections (in)				Approx. Net Wt.		Approx. Ship Wt.	
			in (mm)	Coil Inlet ODF	Suction ODF	External Equalizer ODF	Drain FPT	lbs	kg	lbs	kg
6	CEH0553*S6A^A	2	24 (610)	1-1/8	1-5/8	1/4	1-1/4	299	136	501	227
6	CEH0570*S6A^A	2	24 (610)	1-1/8	1-5/8	1/4	1-1/4	398	181	599	272
6	CEH0700*S6A^A	2	24 (610)	1-1/8	1-5/8	1/4	1-1/4	398	181	599	272
6	CEH0723*S6A^A	2	24 (610)	1-1/8	1-5/8	1/4	1-1/4	319	145	521	236
6	CEH0743*S6A^A	3	24 (610)	1-3/8	2-1/8	1/4	1-1/4	516	234	719	326
6	CEH0755*S6A^A	2	24 (610)	1-3/8	2-1/8	1/4	1-1/4	409	186	610	277
6	CEH0933*S6A^A	3	24 (610)	1-3/8	2-1/8	1/4	1-1/4	536	243	739	335
6	CEH1053*S6A^A	4	24 (610)	1-3/8	2-1/8	1/4	1-1/4	647	293	852	386
6	CEH0900*S6A^A	3	24 (610)	1-3/8	2-1/8	1/4	1-1/4	531	241	772	350
6	CEH1080*S6A^A	3	24 (610)	1-3/8	2-1/8	1/4	1-1/4	531	241	772	350
6	CEH1245*S6A^A	3	24 (610)	1-3/8	2-1/8	1/4	1-1/4	546	248	787	357
6	CEH1313*S6A^A	4	24 (610)	1-3/8	2-1/8	1/4	1-1/4	667	303	872	396
6	CEH1445*S6A^A	4	24 (610)	1-3/8	2-1/8	1/4	1-1/4	665	302	947	430
6	CEH1655*S6A^A	4	24 (610)	1-3/8	2-1/8	1/4	1-1/4	687	312	969	440
6	CEH0620*S6AMA	1	30 (763)	1-1/8	1-5/8	1/4	1-1/4	351	159	575	261
6	CEH0730*S6AMA	1	30 (763)	1-1/8	1-5/8	1/4	1-1/4	441	200	665	302
8	CEH0840*S8AMA	1	30 (763)	1-1/8	1-5/8	1/4	1-1/4	460	209	684	310
6	CEH1250*S6AMA	2	30 (763)	1-3/8	2-1/8	1/4	1-1/4	600	272	900	408
6	CEH1333*S6A^A	3	30 (763)	1-3/8	2-1/8	1/4	1-1/4	738	335	959	435
6	CEH1470*S6AMA	2	30 (763)	1-3/8	2-1/8	1/4	1-1/4	766	347	1066	484
6	CEH1623*S6A^A	3	30 (763)	1-3/8	2-1/8	1/4	1-1/4	800	363	1040	472
6	CEH1870*S6AMA	3	30 (763)	1-3/8 (2 conns)	2-1/8 (2 conns)	1/4 (2 conns)	1-1/4	850	386	1105	501
6	CEH1873*S6A^A	3	30 (763)	1-3/8 (2 conns)	2-1/8 (2 conns)	1/4 (2 conns)	1-1/4	850	386	1105	501
6	CEH2200*S6AMA	3	30 (763)	1-3/8	2-5/8	1/4	1-1/4	1160	526	1508	684
6	CEH2203*S6A^A	3	30 (763)	1-3/8	2-5/8	1/4	1-1/4	1160	526	1508	684
6	CEH2553*S6A^A	4	30 (763)	1-3/8	2-5/8	1/4	1-1/4	1500	680	1950	885
6	CEH2883*S6A^A	4	30 (763)	1-5/8	2-5/8	1/4	1-1/4	1600	726	2080	943
8	CEH2513*S8A^A	3	30 (763)	1-3/8	2-5/8	1/4	1-1/4	1160	526	1508	684
8	CEH2953*S8A^A	4	30 (763)	1-3/8	2-5/8	1/4	1-1/4	1500	680	1950	885
8	CEH3283*S8A^A	4	30 (763)	1-3/8	2-5/8	1/4	1-1/4	1600	726	2080	943

**Notes:**

\* = Electrical Code Designator (see Nomenclature details)

^ = Motor Code Designator (see Nomenclature details)



# PHYSICAL DATA

## Electric Defrost

FPI	Model	No. of Fans	Fan Diameter	Connections (in)				Approx. Net Wt.		Approx. Ship Wt.	
			in (mm)	Coil Inlet ODF	Suction ODF	External Equalizer ODF	Drain FPT	lbs	kg	lbs	kg
6	CEH0540*S6E^A	2	24 (610)	1-1/8	1-5/8	1/4	1-1/4	417	189	618	280
6	CEH0630*S6E^A	2	24 (610)	1-3/8	2-1/8	1/4	1-1/4	429	195	630	286
6	CEH0805*S6E^A	3	24 (610)	1-3/8	2-1/8	1/4	1-1/4	561	254	802	364
6	CEH0925*S6E^A	3	24 (610)	1-3/8	2-1/8	1/4	1-1/4	576	261	817	371
6	CEH1125*S6E^A	4	24 (610)	1-5/8	2-1/8	1/4	1-1/4	705	320	987	448
6	CEH1210*S6E^A	4	24 (610)	1-5/8	2-1/8	1/4	1-1/4	727	330	1009	458
6	CEH0423*S6E^A	2	24 (610)	1-1/8	1-5/8	1/4	1-1/4	409	186	616	279
6	CEH0513*S6E^A	2	24 (610)	1-1/8	1-5/8	1/4	1-1/4	429	195	626	284
6	CEH0573*S6E^A	3	24 (610)	1-3/8	2-1/8	1/4	1-1/4	546	248	755	342
6	CEH0713*S6E^A	3	24 (610)	1-3/8	2-1/8	1/4	1-1/4	566	257	775	352
6	CEH0763*S6E^A	4	24 (610)	1-3/8	2-1/8	1/4	1-1/4	687	312	898	407
6	CEH0963*S6E^A	4	24 (610)	1-3/8	2-1/8	1/4	1-1/4	707	321	918	416
4	CEH0480*S4E^A	2	24 (610)	1-1/8	1-5/8	1/4	1-1/4	419	190	620	281
4	CEH0565*S4E^A	2	24 (610)	1-3/8	2-1/8	1/4	1-1/4	431	195	632	287
4	CEH0730*S4E^A	3	24 (610)	1-3/8	2-1/8	1/4	1-1/4	567	257	808	367
4	CEH0845*S4E^A	3	24 (610)	1-3/8	2-1/8	1/4	1-1/4	579	263	820	372
4	CEH1010*S4E^A	4	24 (610)	1-5/8	2-1/8	1/4	1-1/4	718	326	1000	454
4	CEH1085*S4E^A	4	24 (610)	1-5/8	2-1/8	1/4	1-1/4	730	331	1012	459
4	CEH0373*S4E^A	2	24 (610)	1-1/8	1-5/8	1/4	1-1/4	411	186	624	283
4	CEH0473*S4E^A	2	24 (610)	1-1/8	1-5/8	1/4	1-1/4	431	195	644	292
4	CEH0513*S4E^A	3	24 (610)	1-3/8	2-1/8	1/4	1-1/4	429	195	626	284
4	CEH0653*S4E^A	3	24 (610)	1-3/8	2-1/8	1/4	1-1/4	569	258	784	356
4	CEH0693*S4E^A	4	24 (610)	1-3/8	2-1/8	1/4	1-1/4	690	313	907	411
4	CEH0883*S4E^A	4	24 (610)	1-3/8	2-1/8	1/4	1-1/4	710	322	927	420
6	CEH1123*S6E^A	3	30 (763)	1-3/8	2-1/8	1/4	1-1/4	753	342	979	444
6	CEH1340*S6EMA	3	30 (763)	1-5/8	2-1/8	1/4	1-1/4	815	370	1060	481
6	CEH1343*S6E^A	3	30 (763)	1-5/8	2-1/8	1/4	1-1/4	815	370	1060	481
6	CEH1560*S6EMA	3	30 (763)	1-3/8 (2 conns)	2-1/8 (2 conns)	1/4 (2 conns)	1-1/4	865	392	1125	510
6	CEH1563*S6E^A	3	30 (763)	1-3/8 (2 conns)	2-1/8 (2 conns)	1/4 (2 conns)	1-1/4	865	392	1125	510
6	CEH1820*S6EMA	3	30 (763)	1-3/8	2-5/8	1/4	1-1/4	1175	533	1528	693
6	CEH1823*S6E^A	3	30 (763)	1-3/8	2-5/8	1/4	1-1/4	1175	533	1528	693
6	CEH2330*S6EMA	4	30 (763)	1-5/8	2-5/8	1/4	1-1/4	1620	735	2106	955
6	CEH2333*S6E^A	4	30 (763)	1-5/8	2-5/8	1/4	1-1/4	1620	735	2106	955
4	CEH0983*S4E^A	3	30 (763)	1-3/8	2-1/8	1/4	1-1/4	744	337	967	439
4	CEH1163*S4E^A	3	30 (763)	1-5/8	2-1/8	1/4	1-1/4	805	365	1047	475
4	CEH1343*S4E^A	3	30 (763)	1-3/8 (2 conns)	2-1/8 (2 conns)	1/4 (2 conns)	1-1/4	854	387	1110	503
4	CEH1583*S4E^A	3	30 (763)	1-3/8	2-5/8	1/4	1-1/4	1160	526	1508	684
4	CEH2053*S4E^A	4	30 (763)	1-5/8	2-5/8	1/4	1-1/4	1600	726	2080	943

**Notes:**

\* = Electrical Code Designator (see Nomenclature details)

^ = Motor Code Designator (see Nomenclature details)

# PHYSICAL DATA

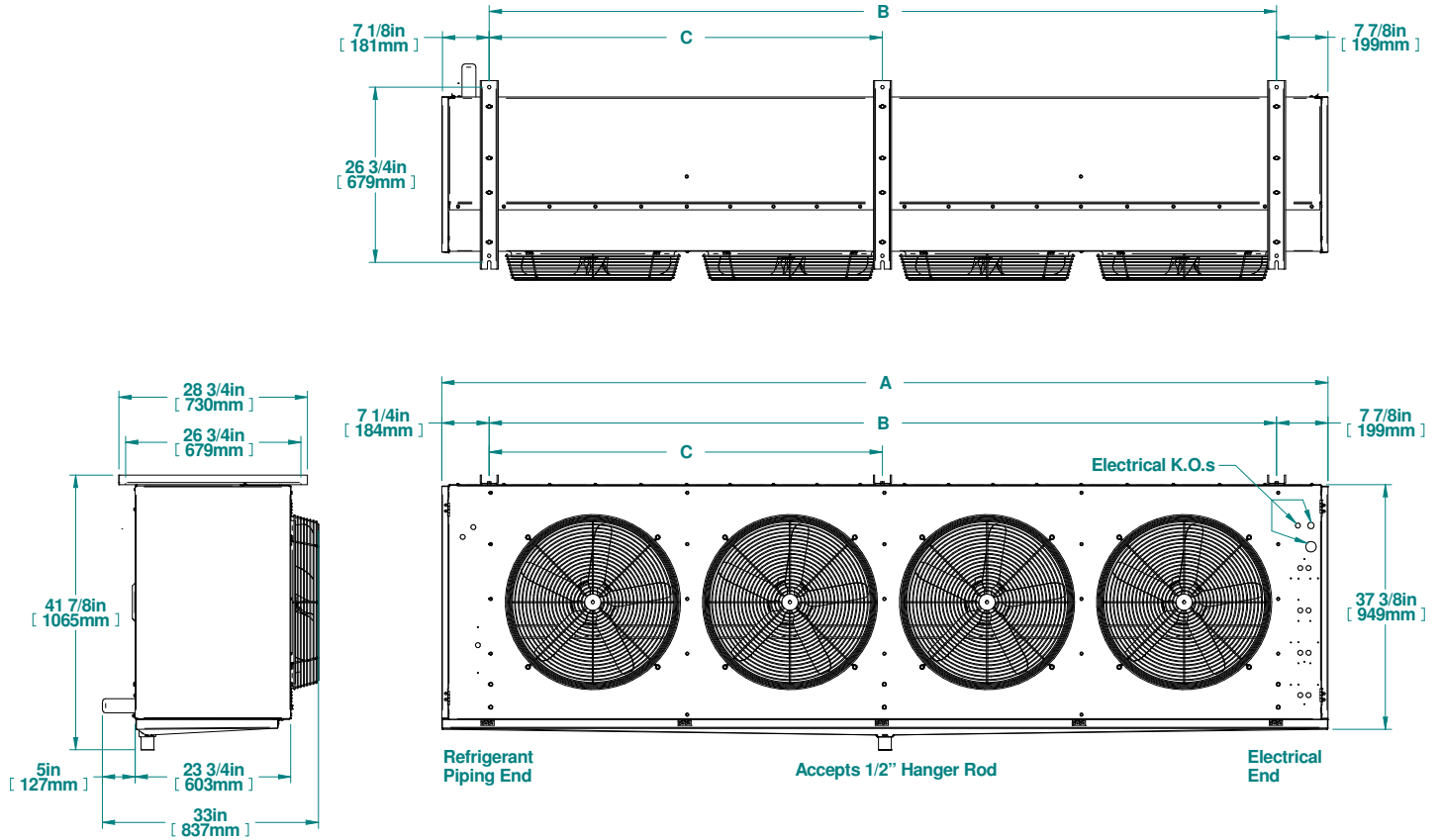
## Hot Gas Defrost

FPI	Model	No. of Fans	Fan Diameter	Connections (in)						Approx. Net Wt.		Approx. Ship Wt.	
			in (mm)	Coil Inlet ODF	Suction ODF	External Equalizer ODF	Drain FPT	Hot Gas Side Port	Hot Gas Drain Pain Ref. Conn. (when supplied)	lbs	kg	lbs	kg
6	CEH0540*S6H^A	2	24 (610)	1-1/8	1-5/8	1/4	1-1/4	5/8	1-1/8	433	196	634	288
6	CEH0630*S6H^A	2	24 (610)	1-3/8	2-1/8	1/4	1-1/4	5/8	1-1/8	445	202	646	293
6	CEH0805*S6H^A	3	24 (610)	1-3/8	2-1/8	1/4	1-1/4	7/8	1-1/8	583	264	824	374
6	CEH0925*S6H^A	3	24 (610)	1-3/8	2-1/8	1/4	1-1/4	7/8	1-1/8	595	270	836	379
6	CEH1125*S6H^A	4	24 (610)	1-5/8	2-1/8	1/4	1-1/4	7/8	1-1/8	732	332	1014	460
6	CEH1210*S6H^A	4	24 (610)	1-5/8	2-1/8	1/4	1-1/4	7/8	1-1/8	744	337	1026	465
6	CEH0423*S6H^A	2	24 (610)	1-1/8	1-5/8	1/4	1-1/4	5/8	1-1/8	434	197	631	286
6	CEH0513*S6H^A	2	24 (610)	1-1/8	1-5/8	1/4	1-1/4	5/8	1-1/8	454	206	651	295
6	CEH0573*S6H^A	3	24 (610)	1-3/8	2-1/8	1/4	1-1/4	7/8	1-1/8	566	257	770	349
6	CEH0713*S6H^A	3	24 (610)	1-3/8	2-1/8	1/4	1-1/4	7/8	1-1/8	586	266	790	358
6	CEH0763*S6H^A	4	24 (610)	1-3/8	2-1/8	1/4	1-1/4	7/8	1-1/8	707	321	918	416
6	CEH0963*S6H^A	4	24 (610)	1-3/8	2-1/8	1/4	1-1/4	7/8	1-1/8	727	330	938	425
4	CEH0480*S4H^A	2	24 (610)	1-1/8	1-5/8	1/4	1-1/4	5/8	1-1/8	437	198	638	289
4	CEH0565*S4H^A	2	24 (610)	1-3/8	2-1/8	1/4	1-1/4	5/8	1-1/8	449	204	650	295
4	CEH0730*S4H^A	3	24 (610)	1-3/8	2-1/8	1/4	1-1/4	7/8	1-1/8	587	266	828	376
4	CEH0845*S4H^A	3	24 (610)	1-3/8	2-1/8	1/4	1-1/4	7/8	1-1/8	599	272	840	381
4	CEH1010*S4H^A	4	24 (610)	1-5/8	2-1/8	1/4	1-1/4	7/8	1-1/8	736	334	1018	462
4	CEH1085*S4H^A	4	24 (610)	1-5/8	2-1/8	1/4	1-1/4	7/8	1-1/8	750	340	1032	468
4	CEH0373*S4H^A	2	24 (610)	1-1/8	1-5/8	1/4	1-1/4	5/8	1-1/8	438	199	635	288
4	CEH0473*S4H^A	2	24 (610)	1-1/8	1-5/8	1/4	1-1/4	5/8	1-1/8	458	208	655	297
4	CEH0513*S4H^A	3	24 (610)	1-3/8	2-1/8	1/4	1-1/4	7/8	1-1/8	454	206	651	295
4	CEH0653*S4H^A	3	24 (610)	1-3/8	2-1/8	1/4	1-1/4	7/8	1-1/8	590	268	794	360
4	CEH0693*S4H^A	4	24 (610)	1-3/8	2-1/8	1/4	1-1/4	7/8	1-1/8	711	323	922	418
4	CEH0883*S4H^A	4	24 (610)	1-3/8	2-1/8	1/4	1-1/4	7/8	1-1/8	731	332	942	427
6	CEH1123*S6H^A	3	30 (763)	1-3/8	2-1/8	1/4	1-1/4	7/8	1-3/8	753	342	979	444
6	CEH1340*S6HMA	3	30 (763)	1-5/8	2-1/8	1/4	1-1/4	1-1/8	1-3/8	815	370	1060	481
6	CEH1343*S6H^A	3	30 (763)	1-5/8	2-1/8	1/4	1-1/4	1-1/8	1-3/8	815	370	1060	481
6	CEH1560*S6HMA	3	30 (763)	1-3/8 (2 conns)	2-1/8 (2 conns)	1/4 (2 conns)	1-1/4	7/8 (2 conns)	1-3/8	865	392	1125	510
6	CEH1563*S6H^A	3	30 (763)	1-3/8 (2 conns)	2-1/8 (2 conns)	1/4 (2 conns)	1-1/4	7/8 (2 conns)	1-3/8	865	392	1125	510
6	CEH1820*S6HMA	3	30 (763)	1-3/8 (2 conns)	2-5/8 (2 conns)	1/4 (2 conns)	1-1/4	7/8 (2 conns)	1-5/8**	1175	533	1528	693
6	CEH1823*S6H^A	3	30 (763)	1-3/8 (2 conns)	2-5/8 (2 conns)	1/4 (2 conns)	1-1/4	7/8 (2 conns)	1-5/8**	1175	533	1528	693
6	CEH2330*S6HMA	4	30 (763)	1-3/8 (2 conns)	2-5/8 (2 conns)	1/4 (2 conns)	1-1/4	7/8 (2 conns)	1-5/8**	1620	735	2106	955
6	CEH2333*S6H^A	4	30 (763)	1-3/8 (2 conns)	2-5/8 (2 conns)	1/4 (2 conns)	1-1/4	7/8 (2 conns)	1-5/8**	1620	735	2106	955
4	CEH0983*S4H^A	3	30 (763)	1-3/8	2-1/8	1/4	1-1/4	7/8	1-3/8	744	337	967	439
4	CEH1163*S4H^A	3	30 (763)	1-5/8	2-1/8	1/4	1-1/4	1-1/8	1-3/8	805	365	1047	475
4	CEH1343*S4H^A	3	30 (763)	1-3/8 (2 conns)	2-1/8 (2 conns)	1/4 (2 conns)	1-1/4	7/8 (2 conns)	1-3/8	854	387	1110	503
4	CEH1583*S4H^A	3	30 (763)	1-3/8 (2 conns)	2-5/8 (2 conns)	1/4 (2 conns)	1-1/4	7/8 (2 conns)	1-5/8**	1160	526	1508	684
4	CEH2053*S4H^A	4	30 (763)	1-3/8 (2 conns)	2-5/8 (2 conns)	1/4 (2 conns)	1-1/4	7/8 (2 conns)	1-5/8**	1600	726	2080	943

**Notes:**  
 \* = Electrical Code Designator (see Nomenclature details)  
 ^ = Motor Code Designator (see Nomenclature details)  
 \*\* = Opposite end connections

# DIMENSIONAL DRAWINGS

Diagram 1: 24" Fan Models

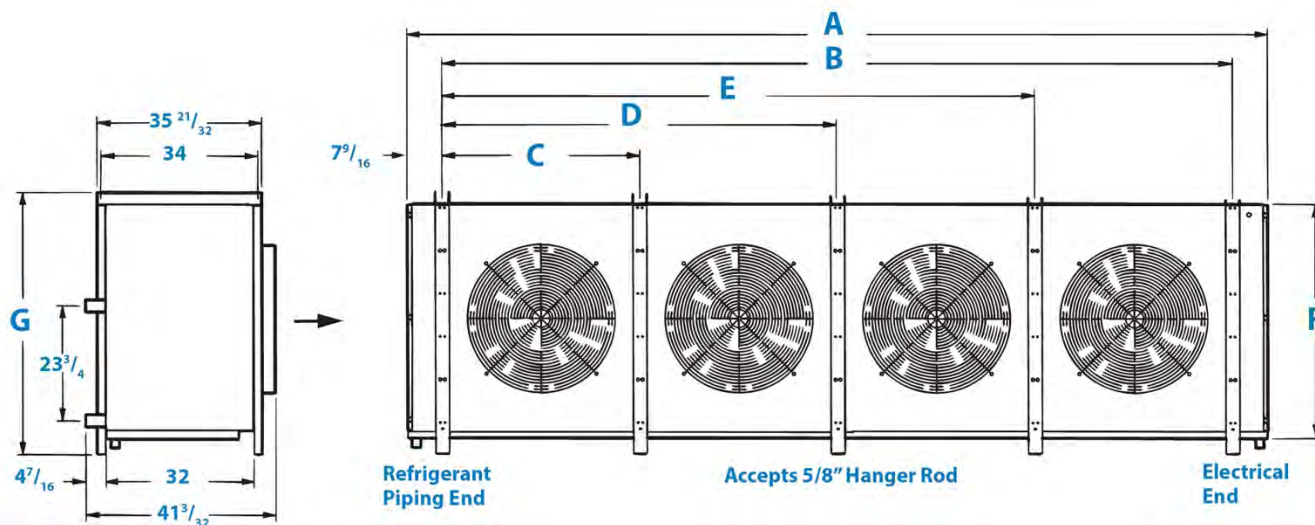


Dimensional Data For 24" Fan Models

# of Fans	A		B		C	
	in.	mm	in.	mm	in.	mm
2 fan	83-3/32	2,111	68-1/8	1,730	-	-
3 fan	105-5/32	2,671	90-3/16	2,291	45-3/32	1,145
4 fan	135-7/32	3,435	120-1/4	3,054	60-1/8	1,527

# DIMENSIONAL DRAWINGS

Diagram 2: 30" Fan Models



Dimensional Data For 30" Fan Models

Air Defrost		Electric & Hot Gas		Dimensions													
6FPI	8FPI	6FPI	4FPI	A		B		C		D		E		F		G	
				in.	mm	in.	mm	in.	mm	in.	mm	in.	mm	in.	mm	in.	mm
0620				55-3/8	1,407	-	-	40-1/8	1,019	-	-	-	-	50-7/32	1,276	55-13/16	1,418
0730				57-7/8	1,470	-	-	42-5/8	1,083	-	-	-	-	50-7/32	1,276	55-13/16	1,418
	0840			57-7/8	1,470	-	-	42-5/8	1,083	-	-	-	-	50-7/32	1,276	55-13/16	1,418
1250				95-1/2	2,426	-	-	40-1/8	1,019	80-1/4	2,038	-	-	50-7/32	1,276	55-13/16	1,418
1,333	-	1123	0983	135-13/32	3,439	120-9/32	3,055	40-3/32	1,018	80-3/16	2,037	-	-	44-1/2	1,130	50-5/16	1,278
1470				100-1/2	2,553	-	-	42-5/8	1,083	85-1/4	2,165	-	-	50-7/32	1,276	55-13/16	1,418
1623	-	1340, 1343	1163	135-13/32	3,439	120-9/32	3,055	40-3/32	1,018	80-3/16	2,037	-	-	44-1/2	1,130	50-5/16	1,278
1870, 1873	-	1560, 1563	1343	135-13/32	3,439	120-9/32	3,055	40-3/32	1,018	80-3/16	2,037	-	-	50-7/32	1,276	55-13/16	1,418
2200, 2203	2513	1820, 1823	1583	142-1/2	3,620	127-25/32	3,246	42-19/32	1,082	85-3/16	2,164	-	-	50-7/32	1,276	55-13/16	1,418
2553	2953	-	-	185-1/2	4,712	170-3/8	4,328	42-19/32	1,082	85-3/16	2,164	127-25/32	3,246	44-1/2	1,130	50-5/16	1,278
2883	3283	2330, 2333	2053	185-1/2	4,712	170-3/8	4,328	42-19/32	1,082	85-3/16	2,164	127-25/32	3,246	50-7/32	1,276	56-1/4	1,429

## Electric & Hot Gas Defrost Models Air Throw

Electric & Hot Gas		Std Motor RPM	Std HP	Air Throw	Air Throw w/Collar	Options High CFM	Optional HP	Air Throw	Air Throw w/Collar
6FPI	4FPI								
0540-1210	0480-1085	850	3/4	65	80	N/A	N/A	N/A	N/A
0423-0963	0373-0883	850	1/2*	70	85	1,750	2	80	100
1123-1563	0983-1343	850	1 & 1-1/2	100	120	1,750	3	115	145
1820-2333	1583-2053	1,140	37,257	120	145	1,750	3	130	150

**Notes:**

\* = 3-Phase Motors are 1140 RPM

Air throw data based on 30 ft. ceiling height with no obstructions where velocity drops to 50 fpm

# DOE Rated AWEF

## AWEF DATA

### Air Defrost

Rating Conditions/ DOE mandated, test conditions per AHRI 1250

Testing conditions: COOLER: 10°F TD, 25°F SST, <50% RH/ FREEZER: 10°F TD, -20°F SST, <50% RH<sub>t</sub>

FPI	Model	Fan Diameter	Cooler			
		in (mm)	R-404A/ R-507A	R-448A/ R-449A	R-407A/ R-407F	R-407C
			AWEF	AWEF	AWEF	AWEF
6	CEH0570*S6AMA	24 (610)	-	9.00	9.00	9.00
6	CEH0700*S6AMA	24 (610)	-	9.00	9.00	9.00
6	CEH0755*S6AMA	24 (610)	-	9.00	9.00	9.00
6	CEH0900*S6AMA	24 (610)	-	9.00	9.00	9.00
6	CEH1080*S6AMA	24 (610)	-	9.00	9.00	9.00
6	CEH1245*S6AMA	24 (610)	-	9.00	9.00	9.00
6	CEH1445*S6AMA	24 (610)	-	9.00	9.00	9.00
6	CEH1655*S6AMA	24 (610)	-	9.00	9.00	9.00
6	CEH0620*S6AMA	30 (763)	9.00	9.00	9.00	9.00
6	CEH0730*S6AMA	30 (763)	9.00	9.00	9.00	9.00
8	CEH0840*S8AMA	30 (763)	9.00	9.00	9.00	9.00
6	CEH1250*S6AMA	30 (763)	9.00	9.00	9.00	9.00
6	CEH1470*S6AMA	30 (763)	9.00	9.00	9.00	9.00
6	CEH1870*S6AMA	30 (763)	9.00	9.00	9.00	9.00
6	CEH2200*S6AMA	30 (763)	9.00	9.00	9.00	9.00

**Notes:**

\* = Electrical Code Designator (see Nomenclature details)

2-speed EC motor is required to meet minimum AWEF.

For R-404A, 30 inch fan models use 700 RPM 2-speed EC motor to meet minimum AWEF.

## DOE Rated AWEF

## AWEF DATA

## Electric Defrost

Rating Conditions/ DOE mandated, test conditions per AHRI 1250

Testing conditions: COOLER: 10°F TD, 25°F SST, <50% RH/ FREEZER: 10°F TD, -20°F SST, <50% RH<sub>t</sub>

FPI	Model	Fan Diameter	Cooler			
			R-404A/ R-507A	R-448A/ R-449A	R-407A/ R-407F	R-407C
		in (mm)	AWEF	AWEF	AWEF	AWEF
6	CEH0540*S6EMA	24 (610)	-	-	-	-
6	CEH0630*S6EMA	24 (610)	-	9.00	9.00	-
6	CEH0805*S6EMA	24 (610)	-	-	-	-
6	CEH0925*S6EMA	24 (610)	-	9.00	9.00	-
6	CEH1125*S6EMA	24 (610)	-	-	-	-
6	CEH1210*S6EMA	24 (610)	-	9.00	9.00	-
4	CEH0480*S4EMA	24 (610)	-	-	-	-
4	CEH0565*S4EMA	24 (610)	-	-	-	-
4	CEH0730*S4EMA	24 (610)	-	-	-	-
4	CEH0845*S4EMA	24 (610)	-	9.00	9.00	-
4	CEH1010*S4EMA	24 (610)	-	-	-	-
4	CEH1085*S4EMA	24 (610)	-	-	-	-

FPI	Model	Fan Diameter	Freezer			
			R-404A/ R-507A	R-448A/ R-449A	R-407A/ R-407F	R-407C
		in (mm)	AWEF	AWEF	AWEF	AWEF
6	CEH0540*S6EMA	24 (610)	-	4.15	4.15	-
6	CEH0630*S6EMA	24 (610)	4.15	4.15	4.15	-
6	CEH0805*S6EMA	24 (610)	4.15	4.15	4.15	-
6	CEH0925*S6EMA	24 (610)	4.15	4.15	4.15	-
6	CEH1125*S6EMA	24 (610)	4.15	4.15	4.15	-
6	CEH1210*S6EMA	24 (610)	4.15	4.15	4.15	-
4	CEH0480*S4EMA	24 (610)	-	4.15	4.15	-
4	CEH0565*S4EMA	24 (610)	-	4.15	4.15	-
4	CEH0730*S4EMA	24 (610)	-	4.15	4.15	-
4	CEH0845*S4EMA	24 (610)	-	4.15	4.15	-
4	CEH1010*S4EMA	24 (610)	-	4.15	4.15	-
4	CEH1085*S4EMA	24 (610)	-	4.15	4.15	-
6	CEH1340*S6EMA	30 (763)	4.15	4.15	4.15	-
6	CEH1560*S6EMA	30 (763)	4.15	4.15	4.15	-
6	CEH1820*S6EMA	30 (763)	4.15	4.15	4.15	-
6	CEH2330*S6EMA	30 (763)	4.15	4.15	4.15	-

## Notes:

\* = Electrical Code Designator (see Nomenclature details)

2-speed EC motor is required to meet minimum AWEF.

For R-404A, 30 inch fan models use 700 RPM 2-speed EC motor to meet minimum AWEF.

# DOE Rated AWEF

## AWEF DATA

### Hot Gas Defrost

Rating Conditions/ DOE mandated, test conditions per AHRI 1250

Testing conditions: COOLER: 10°F TD, 25°F SST, <50% RH/ FREEZER: 10°F TD, -20°F SST, <50% RH<sub>t</sub>

FPI	Model	Fan Diameter	Cooler			
			R-404A/ R-507A	R-448A/ R-449A	R-407A/ R-407F	R-407C
		in (mm)	AWEF	AWEF	AWEF	AWEF
6	CEH0540*S6HMA	24 (610)	-	-	-	-
6	CEH0630*S6HMA	24 (610)	-	9.00	9.00	-
6	CEH0805*S6HMA	24 (610)	-	-	-	-
6	CEH0925*S6HMA	24 (610)	-	9.00	9.00	-
6	CEH1125*S6HMA	24 (610)	-	-	-	-
6	CEH1210*S6HMA	24 (610)	-	9.00	9.00	-
4	CEH0480*S4HMA	24 (610)	-	-	-	-
4	CEH0565*S4HMA	24 (610)	-	-	-	-
4	CEH0730*S4HMA	24 (610)	-	-	-	-
4	CEH0845*S4HMA	24 (610)	-	9.00	9.00	-
4	CEH1010*S4HMA	24 (610)	-	-	-	-
4	CEH1085*S4HMA	24 (610)	-	-	-	-

FPI	Model	Fan Diameter	Freezer			
			R-404A/ R-507A	R-448A/ R-449A	R-407A/ R-407F	R-407C
		in (mm)	AWEF	AWEF	AWEF	AWEF
6	CEH0540*S6HMA	24 (610)	-	4.15	4.15	-
6	CEH0630*S6HMA	24 (610)	4.15	4.15	4.15	-
6	CEH0805*S6HMA	24 (610)	4.15	4.15	4.15	-
6	CEH0925*S6HMA	24 (610)	4.15	4.15	4.15	-
6	CEH1125*S6HMA	24 (610)	4.15	4.15	4.15	-
6	CEH1210*S6HMA	24 (610)	4.15	4.15	4.15	-
4	CEH0480*S4HMA	24 (610)	-	4.15	4.15	-
4	CEH0565*S4HMA	24 (610)	-	4.15	4.15	-
4	CEH0730*S4HMA	24 (610)	-	4.15	4.15	-
4	CEH0845*S4HMA	24 (610)	-	4.15	4.15	-
4	CEH1010*S4HMA	24 (610)	-	4.15	4.15	-
4	CEH1085*S4HMA	24 (610)	-	4.15	4.15	-
6	CEH1340*S6HMA	30 (763)	4.15	4.15	4.15	-
6	CEH1560*S6HMA	30 (763)	4.15	4.15	4.15	-
6	CEH1820*S6HMA	30 (763)	4.15	4.15	4.15	-
6	CEH2330*S6HMA	30 (763)	4.15	4.15	4.15	-

**Notes:**

\* = Electrical Code Designator (see Nomenclature details)

2-speed EC motor is required to meet minimum AWEF.

For R-404A, 30 inch fan models use 700 RPM 2-speed EC motor to meet minimum AWEF.

# STANDARD NOZZLE SELECTION

## Meet AWEF Models

FPI	Model	Fan Diameter	No. of Fans	Distributor Tube (in.)		No. of Circuits	Nozzle Selections			
		in (mm)		OD	Length		R-448A/ R-449A	R-407A/ R-407F	R-407C	R-404A
6 FPI Air Defrost	CEH0570*S6AMA	24 (610)	2	3/16	25 1/2	14	E-6	E-4	E-4	-
	CEH0700*S6AMA	24 (610)	2	3/16	25 1/2	14	E-6	E-4	E-4	-
	CEH0755*S6AMA	24 (610)	2	3/16	25 1/2	21	C-6	C-5	C-5	-
	CEH0900*S6AMA	24 (610)	3	3/16	25 1/2	23	C-10	C-6	C-6	-
	CEH1080*S6AMA	24 (610)	3	3/16	25 1/2	23	C-10	C-6	C-6	-
	CEH1245*S6AMA	24 (610)	3	3/16	25 1/2	28	C-12	C-8	C-8	-
	CEH1445*S6AMA	24 (610)	4	3/16	25 1/2	23	C-12	C-10	C-8	-
	CEH1655*S6AMA	24 (610)	4	3/16	25 1/2	28	C-15	C-12	C-10	-
	CEH0620*S6AMA	30 (763)	1	3/16	28	15	E-5	E-4	E-4	E-4
	CEH0730*S6AMA	30 (763)	1	1-1/4	32	8	E-6	E-4	E-4	E-4
	CEH0840*S8AMA**	30 (763)	1	1-1/4	32	8	E-8	E-5	E-5	E-5
	CEH1250*S6AMA	30 (763)	2	3/16	28	19	C-10	C-8	C-8	C-8
	CEH1470*S6AMA	30 (763)	2	1-1/4	32	16	C-12	C-8	C-8	C-8
	CEH1870*S6AMA	30 (763)	3	3/16	21-1/2	19 X 2	2 X C-8	2 X C-6	2 X C-6	2 X C-6
	CEH2200*S6AMA	30 (763)	3	1/4	32	24	C-20	C-15	C-15	C-15
6 FPI Electric Defrost	CEH0540*S6EMA	24 (610)	2	3/16	25 1/2	17	E-8	E-5	-	-
	CEH0630*S6EMA	24 (610)	2	3/16	25 1/2	21	C-12	C-6	-	C-6
	CEH0805*S6EMA	24 (610)	3	3/16	25 1/2	23	C-15	C-8	-	C-10
	CEH0925*S6EMA	24 (610)	3	3/16	25 1/2	28	C-15	C-12	-	C-10
	CEH1125*S6EMA	24 (610)	4	3/16	25 1/2	35	A-20	A-12	-	A-12
	CEH1210*S6EMA	24 (610)	4	3/16	25 1/2	40	A-20	A-15	-	A-15
	CEH1340*S6EMA	30 (763)	3	3/16	28	34	A-20	A-15	A-15	A-15
	CEH1560*S6EMA	30 (763)	3	3/16	21-1/2	19 X 2	2 X C-10	2 X C-8	2 X C-8	2 X C-8
	CEH1820*S6EMA	30 (763)	3	1/4	32	24	C-30	C-20	C-20	C-30
	CEH2330*S6EMA	30 (763)	4	1/4	32	32	A-35	A-30	A-30	A-30
4 FPI Electric Defrost	CEH0480*S4EMA	24 (610)	2	3/16	25 1/2	17	E-8	E-5	-	-
	CEH0565*S4EMA	24 (610)	2	3/16	25 1/2	21	C-10	C-6	-	-
	CEH0730*S4EMA	24 (610)	3	3/16	25 1/2	23	C-12	C-8	-	-
	CEH0845*S4EMA	24 (610)	3	3/16	25 1/2	28	C-15	C-10	-	-
	CEH1010*S4EMA	24 (610)	4	3/16	25 1/2	35	A-17	A-12	-	-
	CEH1085*S4EMA	24 (610)	4	3/16	25 1/2	40	A-20	A-15	-	-

### Notes:

\* = Electrical Code Designator (see Nomenclature details)

^ = Motor Code Designator (see Nomenclature details)

\*\* = Model 0840 has 8 FPI.

Contact Application Engineering for guidance if:

- Liquid temperature is not 90-100°F
- Evaporator TD is not 10°-15°F (room temperature – saturated suction temperature)
- Electric defrost and hot gas models with a saturated suction temperature of 10°F or higher

**CAUTION: Refrigeration system will not perform properly without Correct Nozzle!**



# STANDARD NOZZLE SELECTION

Meet AWEF Models (cont.)

FPI	Model	Fan Diameter	No. of Fans	Distributor Tube (in.)		No. of Circuits	Nozzle Selections			
		in (mm)		OD	Length		R-448A/ R-449A	R-407A/ R-407F	R-407C	R-404A
6 FPI Hot Gas Defrost	CEH0540*S6HMA	24 (610)	2	3/16	25 1/2	17	E-10	E-6	-	-
	CEH0630*S6HMA	24 (610)	2	3/16	25 1/2	21	C-12	C-8	-	C-6
	CEH0805*S6HMA	24 (610)	3	3/16	25 1/2	23	C-15	C-10	-	C-10
	CEH0925*S6HMA	24 (610)	3	3/16	25 1/2	28	C-17	C-12	-	C-12
	CEH1125*S6HMA	24 (610)	4	3/16	25 1/2	35	A-20	A-15	-	A-15
	CEH1210*S6HMA	24 (610)	4	3/16	25 1/2	40	A-25	A - 15	-	A-15
	CEH1340*S6HMA	30 (763)	3	3/16	28	34	A-17	A-15	A-15	A-15
	CEH1560*S6HMA	30 (763)	3	3/16	21-1/2	19 X 2	2 X C-10	2 X C-8	2 X C-8	2 X C-8
	CEH1820*S6HMA	30 (763)	3	1/4	24	16 X 2	2 X C-12	2 X C-12	2 X C-12	2 X C-12
CEH2330*S6HMA	30 (763)	4	1/4	24	16 X 2	2 X C-15	2 X C-15	2 X C-15	2 X C-15	
4 FPI Hot Gas Defrost	CEH0480*S4HMA	24 (610)	2	3/16	25 1/2	17	E-8	E-5	-	-
	CEH0565*S4HMA	24 (610)	2	3/16	25 1/2	21	C-12	C-6	-	-
	CEH0730*S4HMA	24 (610)	3	3/16	25 1/2	23	C-15	C-8	-	-
	CEH0845*S4HMA	24 (610)	3	3/16	25 1/2	28	C-15	C-12	-	-
	CEH1010*S4HMA	24 (610)	4	3/16	25 1/2	35	A-20	A-12	-	-
	CEH1085*S4HMA	24 (610)	4	3/16	25 1/2	40	A-20	A-15	-	-

**Notes:**

\* = Electrical Code Designator (see Nomenclature details)

^ = Motor Code Designator (see Nomenclature details)

\*\* = Model 0840 has 8 FPI.

Contact Application Engineering for guidance if:

- Liquid temperature is not 90-100°F
- Evaporator TD is not 10°-15°F (room temperature – saturated suction temperature)
- Electric defrost and hot gas models with a saturated suction temperature of 10°F or higher

**CAUTION: Refrigeration system will not perform properly without Correct Nozzle!**

# STANDARD NOZZLE SELECTION

Not Meeting AWEF Models

FPI	Model	Fan Diameter	No. of Fans	Distributor Tube (in.)		No. of Circuits	Nozzle Selections			
		in (mm)		OD	Length		R-404A/ R-507A	R-407A/R-407F/ R-407C	R-448A/ R-449A	R-22
6 FPI Air Defrost	CEH0553*S6A^A	24 (610)	2	3/16	25 1/2	14	E-4	E-3	E-5	E-2-1/2
	CEH0723*S6A^A	24 (610)	2	3/16	25 1/2	14	E-4	E-4	E-6	E-3
	CEH0743*S6A^A	24 (610)	3	3/16	25 1/2	21	C-5	C-5	C-8	C-4
	CEH0933*S6A^A	24 (610)	3	3/16	25 1/2	28	C-6	C-6	C-10	C-4
	CEH1053*S6A^A	24 (610)	4	3/16	25 1/2	21	C-6	C-6	C-10	C-4
	CEH1313*S6A^A	24 (610)	4	3/16	25 1/2	28	C-8	C-8	C-12	C-5
	CEH1333*S6A^A	30 (763)	3	3/16	28	25	C-8	C-8	C-12	C-5
	CEH1623*S6A^A	30 (763)	3	3/16	28	34	A-12	A-12	A-15	A-6
	CEH1873*S6A^A	30 (763)	3	3/16	21 1/2	19 X 2	2 X C-6	2 X C-6	2 X C-8	2 X C-4
	CEH2203*S6A^A	30 (763)	3	1/4	32	24	C-15	C-15	C-20	C-12
	CEH2553*S6A^A	30 (763)	4	1/4	32	21	C-17	C-17	C-25	C-15
CEH2883*S6A^A	30 (763)	4	1/4	32	32	A-20	A-20	A-30	C-15	
8 FPI Air Defrost	CEH2513*S8A^A	30 (763)	3	1/4	32	19	C-17	C-17	C-25	C-12
	CEH2953*S8A^A	30 (763)	4	1/4	32	21	C-20	C-20	C-25	C-15
	CEH3283*S8A^A	30 (763)	4	1/4	32	24	C-25	C-25	C-30	C-15
6 FPI Electric Defrost	CEH0423*S6E^A	24 (610)	2	3/16	25 1/2	14	E-5	E-5	E-8	E-3
	CEH0513*S6E^A	24 (610)	2	3/16	25 1/2	14	E-6	E-6	E-10	E-4
	CEH0573*S6E^A	24 (610)	3	3/16	25 1/2	21	C-8	C-8	C-12	C-5
	CEH0713*S6E^A	24 (610)	3	3/16	25 1/2	28	C-10	C-10	C-15	C-6
	CEH0763*S6E^A	24 (610)	4	3/16	25 1/2	21	C-12	C-10	C-15	C-8
	CEH0963*S6E^A	24 (610)	4	3/16	25 1/2	28	C-12	C-12	C-17	C-8
	CEH1123*S6E^A	30 (763)	3	3/16	28	25	C-12	C-12	C-15	C-8
	CEH1343*S6E^A	30 (763)	3	3/16	28	34	A-15	A-15	A-20	A-10
	CEH1563*S6E^A	30 (763)	3	3/16	21 1/2	19 X 2	2 X C-8	2 X C-8	2 X C-10	2 X C-5
	CEH1823*S6E^A	30 (763)	3	1/4	32	24	C-30	C-20	C-30	C-15
CEH2333*S6E^A	30 (763)	4	1/4	32	32	A-30	A-30	A-35	A-20	
4 FPI Electric Defrost	CEH0373*S4E^A	24 (610)	2	3/16	25 1/2	14	E-5	E-4	E-6	E-3
	CEH0473*S4E^A	24 (610)	2	3/16	25 1/2	14	E-6	E-5	E-8	E-4
	CEH0513*S4E^A	24 (610)	3	3/16	25 1/2	21	C-8	C-6	C-10	C-5
	CEH0653*S4E^A	24 (610)	3	3/16	25 1/2	28	C-10	C-8	C-12	C-6
	CEH0693*S4E^A	24 (610)	4	3/16	25 1/2	21	C-10	C-8	C-12	C-8
	CEH0883*S4E^A	24 (610)	4	3/16	25 1/2	28	C-12	C-12	C-15	C-8
	CEH0983*S4E^A	30 (763)	3	3/16	28	25	C-12	C-12	C-15	C-8
	CEH1163*S4E^A	30 (763)	3	3/16	28	34	A-15	A-15	A-20	A-10
	CEH1343*S4E^A	30 (763)	3	3/16	21 1/2	19 X 2	2 X C-8	2 X C-8	2 X C-10	2 X C-5
	CEH1583*S4E^A	30 (763)	3	1/4	32	24	C-30	C-20	C-30	C-15
	CEH2053*S4E^A	30 (763)	4	1/4	32	32	A-30	A-30	A-35	A-20

**Notes:**

\* = Electrical Code Designator (see Nomenclature details)  
 ^ = Motor Code Designator (see Nomenclature details)  
 Nozzles sized for 90-100°F liquid temperature at expansion valve.  
 Contact Application Engineering for guidance if:

- Liquid temperature is not 90-100°F
  - Evaporator TD is not 10°-15°F (room temperature – saturated suction temperature)
  - Electric defrost and hot gas models with a saturated suction temperature of 10°F or higher
- \* R-22 nozzle is not included with evaporator. It is for reference only

**CAUTION: Refrigeration system will not perform properly without Correct Nozzle!**

# STANDARD NOZZLE SELECTION

Not Meeting AWEF Models (cont.)

FPI	Model	Fan Diameter	No. of Fans	Distributor Tube (in.)		No. of Circuits	Nozzle Selections			
		in (mm)		OD	Length		R-404A/ R-507A	R-407A/R-407F/ R-407C	R-448A/ R-449A	R-22
6 FPI Hot Gas Defrost	CEH0423*S6H^A	24 (610)	2	3/16	25 1/2	14	E-5	E-5	E-8	E-3
	CEH0513*S6H^A	24 (610)	2	3/16	25 1/2	14	E-6	E-6	E-10	E-4
	CEH0573*S6H^A	24 (610)	3	3/16	25 1/2	21	C-8	C-8	C-12	C-4
	CEH0713*S6H^A	24 (610)	3	3/16	25 1/2	28	C-10	C-10	C-15	C-5
	CEH0763*S6H^A	24 (610)	4	3/16	25 1/2	21	C-12	C-10	C-15	C-5
	CEH0963*S6H^A	24 (610)	4	3/16	25 1/2	28	C-12	C-12	C-17	C-6
	CEH1123*S6H^A	30 (763)	3	3/16	28	25	C-12	C-12	C-15	C-6
	CEH1343*S6H^A	30 (763)	3	3/16	28	34	A-15	A-15	A-17	A-8
	CEH1563*S6H^A	30 (763)	3	3/16	21 1/2	19 X 2	2 X C-8	2 X C-8	2 X C-10	2 X C-4
	CEH1823*S6H^A	30 (763)	3	1/4	24	16 X 2	2 X C-12	2 X C-12	2 X C-12	2 X C-12
	CEH2333*S6H^A	30 (763)	4	1/4	24	16 X 2	2 X C-15	2 X C-15	2 X C-15	2 X C-15
4 FPI Hot Gas Defrost	CEH0373*S4H^A	24 (610)	2	3/16	25 1/2	14	E-5	E-4	E-6	E-3
	CEH0473*S4H^A	24 (610)	2	3/16	25 1/2	14	E-6	E-5	E-8	E-4
	CEH0513*S4H^A	24 (610)	3	3/16	25 1/2	21	C-8	C-6	C-10	C-4
	CEH0653*S4H^A	24 (610)	3	3/16	25 1/2	28	C-10	C-8	C-12	C-5
	CEH0693*S4H^A	24 (610)	4	3/16	25 1/2	21	C-10	C-8	C-12	C-5
	CEH0883*S4H^A	24 (610)	4	3/16	25 1/2	28	C-12	C-12	C-15	C-6
	CEH0983*S4H^A	30 (763)	3	3/16	28	25	C-12	C-12	C-15	C-6
	CEH1163*S4H^A	30 (763)	3	3/16	28	34	A-15	A-15	A-17	A-8
	CEH1343*S4H^A	30 (763)	3	3/16	21 1/2	19 X 2	2 X C-8	2 X C-8	2 X C-10	2 X C-4
	CEH1583*S4H^A	30 (763)	3	1/4	24	16 X 2	2 X C-8	2 X C-8	2 X C-10	2 X C-4
	CEH2053*S4H^A	30 (763)	4	1/4	24	16 X 2	2 X C-15	2 X C-15	2 X C-15	2 X C-15

**Notes:**

\* = Electrical Code Designator (see Nomenclature details)  
 ^ = Motor Code Designator (see Nomenclature details)  
 Nozzles sized for 90-100°F liquid temperature at expansion valve.  
 Contact Application Engineering for guidance if:

- Liquid temperature is not 90-100°F
- Evaporator TD is not 10°-15°F (room temperature – saturated suction temperature)
- Electric defrost and hot gas models with a saturated suction temperature of 10°F or higher
- \* R-22 nozzle is not included with evaporator. It is for reference only

**CAUTION: Refrigeration system will not perform properly without Correct Nozzle!**



## Right source. Right parts. Right now.

InterLink™ is your link to a complete line of dependable and certified commercial refrigeration parts, accessories and innovative electronic controls for all Climate Control equipment. At InterLink, we provide our wholesalers with a comprehensive selection of product solutions and innovative technologies for the installed customer base. And every product is built to ensure the same high performance standards with which all Heatcraft Refrigeration Products (HRP) brands are built — backed by a dedicated team to serve every customer need, delivering at the best lead times in the industry.

## Dependable. Versatile. Courteous.

Finally, one simple source for all your replacement needs from a name you can trust. For parts, please contact (800) 686-7278 or visit [www.heatcraftprd.com](http://www.heatcraftprd.com).

## REPLACEMENT PARTS

### Motor/Fan Blade/Fan Guards

Part #	Description	
25305701S	Motor 208-230V/1PH PSC	1/2 HP 850 RPM
25305801S	Motor 460V/1PH PSC	1/2 HP 850 RPM
7072102S	Motor 208-230/460V/3PH	3/4 HP 1140 RPM
25316301S	Motor 208-230/460V/3PH	1 HP 850 RPM
25316601S	Motor 208-230/460V/3PH	1-1/2 HP 850 RPM
25316401S	Motor 208-230/460V/3PH	1-1/2 HP 1140 RPM
25307901S	Motor 575V/3PH	1/2 HP 1140 RPM
25316801S	Motor 575V/3PH	1-1/2 HP 850 RPM
25316701S	Motor 575V/3PH	1-1/2 HP 1140 RPM
25301001S	Motor 208-230/460V/3PH	1 HP 1140 RPM TE
25391101S	Motor 208-230/460V/3PH	1-1/2 HP 1140 RPM TE INVERTER DUTY
5916F	Motor 208-230/460V/3PH	2 HP 1750 RPM
5926J	Motor 208-230/460V/3PH	3 HP 1750 RPM
25308901	Motor 208-230/460V/3PH	1 HP 1140 RPM TE (LT)
22901101	Fan Blade 24"	850 RPM
5133C	Fan Blade 24"	1140 RPM
22901201	Fan Blade 24"	1750 RPM Cast Aluminum
22900101	Fan Blade 30"	1140 RPM
22900301	Fan Blade 30"	850 RPM
22900401	Fan Blade 30"	850 RPM
22901401	Fan Blade 30"	1750 RPM Cast Aluminum
22901501	Fan Blade 30"	1140 RPM
23102203	Fan Guard 24"	Beige
23102303	Fan Guard 30"	Beige
Motor For Models Meeting Minimum AWEF		
25328201	Motor Fan 2 Speed, 230 V	3/4 HP, 850RPM, 3PH
25328301	Motor Fan 2 Speed, 460 V	3/4 HP, 850RPM, 3PH
25329601	Motor, 2 Speed EC, 230 V	1.5 HP, 700RPM, 3PH
25329701	Motor, 2 Speed EC, 460 V	1.5 HP, 700RPM, 3PH
25328401	Motor, 2 Speed EC, 230 V	1.5 HP, 850RPM, 3PH
25328501	Motor, 2 Speed EC, 460 V	1.5 HP, 850RPM, 3PH

# REPLACEMENT PARTS

## Coil Defrost Heaters

Part #	Unit Voltage	Model	Wire Lead Color Code	
24711201	Heater 230V 1300W	208-230V & 460V	0373, 0423, 0473, 0513	Black
24711202	Heater 230V 1700W	208-230V & 460V	0513, 0573, 0653, 0713	Black
24711203	Heater 230V 2300W	208-230V & 460V	0693, 0763, 0883, 0963, 0983, 1123, 1163, 1343, 1563	Black
24711801	Heater 288V 1300W	575V	0373, 0423, 0473, 0513	Black, Red
24711802	Heater 288V 1700W	575V	0513, 0573, 0653, 0713	Black, Red
24711803	Heater 288V 2300W	575V	0693, 0763, 0883, 0963, 0983, 1123, 1163, 1343, 1563	Black, Red
23308101	Heater Clip	-	0373-1563	-
24712301	Heater 230V 2100W	208-230V & 460V	1583, 1823	Black
24712401	Heater 230V 3100W	208-230V & 460V	2053, 2333	Black
24712302	Heater 288V 2100W	575V	1583, 1823	Black, Red
24712403	Heater 288V 3100W	575V	2053, 2333	Red
23307101	Heater Clip	-	1583-2333	-

## Cabinet Sheet Metal

Air Defrost Model	Electric & Hot Gas Defrost Model	Drain Pan*	Side Panel	Left Back Panel (Refrig. conn)
0553, 0570, 0723, 0700, 0755	0373, 0423, 0473, 0513, 0540, 0630, 0480, 0565	40475305	41074101	40834701
0743, 0900, 0933, 1080, 1245	0513, 0573, 0653, 0713, 0805, 0925, 0730, 0845	40475405	41074101	40834701
1053, 1313, 1445, 1655	0693, 0763, 0883, 0963, 1125, 1210, 1010, 1085	40475505	41074101	40834701
1333, 1623	0983, 1123, 1163, 1343	40402103	40868201	40868101
1870, 1873	1343, 1563	40402103	40846501	40846401
2200, 2203, 2513	1583, 1823	40410403	40858401	40858601
2553, 2953	-	40410703	40858201	40858501
2883, 3283	2053, 2333	40410703	40858401	40858601
0620		40484501	40846501	40846401
0730, 0840		40484701	40846501	40846401
1250		40484601	40846501	40846401
1470		40484801	40846501	40846401

**Notes:**

\* Includes provision to mount drain pan heater

## Miscellaneous Components

Part #	Description
2891040	Room Thermostat
4267-W	Defrost Termination and Fan Delay Thermostat Adjustable Type
5893-Q	Defrost Termination Thermostat Adjustable Type
4752-C	Heater Limit Thermostat

**Notes:**

Contact factory for hot gas defrost components not listed

## REPLACEMENT PARTS

### Drain Pan Heaters

Part #	Description	Unit Voltage	Model	Wire Lead Color Code
24711301	Heater 230V 1050W	208-230V & 460V	0373, 0423, 0473, 0513	Black
24711302	Heater 230V 1350W	208-230V & 460V	0513, 0573, 0653, 0713	Black
24710305	Heater 230V 2000W	208-230V & 460V	0693, 0763, 0883, 0963, 0983, 1123, 1163, 1343, 1563	Black
24710306	Heater 230V 2100W	208-230V & 460V	1583, 1823	Black
24712501	Heater 230V 3100W	208-230V & 460V	2053, 2333	Black
24703501	Heater 230V 250W	208-230V	2053, 2333	Black
24703513	Heater 460V 250W	460V	2053, 2333	Red
24711901	Heater 288V 1050W	575V	0373, 0423, 0473, 0513	Black, Red
24711902	Heater 288V 1350W	575V	0513, 0573, 0653, 0713	Black, Red
24711105	Heater 575V 2000W	575V	0693, 0763, 0883, 0963, 0983, 1123, 1163, 1343, 1563	Black, Red
24711106	Heater 575V 2100W	575V	1583, 1823	Black, Red
24712502	Heater 288V 3100W	575V	2053, 2333	Red
24703519	Heater 575V 250W	575V	2053, 2333	Black, Red





2175 West Park Place Blvd.

Stone Mountain, GA 30087

Phone: 800.537.7775 · Fax: 770.465.5900

[heatcraftprd.com](http://heatcraftprd.com)

Since product improvement is a continuing effort, we reserve the right to make changes in specifications without notice.

**CC-LUC-0124 | Version 005**

©2024 Heatcraft Refrigeration Products LLC