

3-22 HP CONDENSING UNITS

Technical Guide

Scroll and Discus® Models

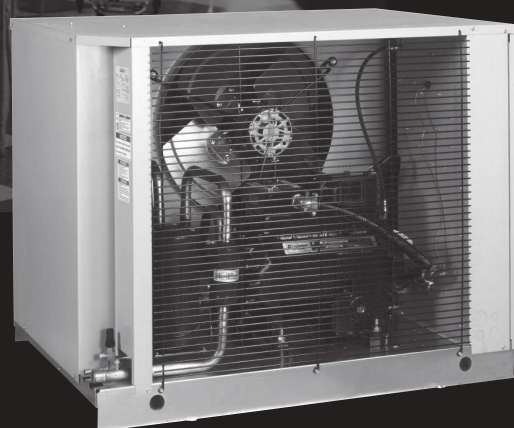


TABLE OF CONTENTS

Nomenclature.....2

Standard Features3

Options3-4

Scroll Compressor Models

Performance Data5-12

 Medium Temperature5-8

 R-404A/R-5075

 R-407A/R-407F6

 R-407C7

 R-448A/449A8

 Low Temperature9-12

 R-404A/R-5079

 R-407A/R-407F10

 R-407C11

 R-448A/449A12

 Electrical Data13

 Unit Specifications14

 AWEF Ratings14

Discus Compressor Models

Performance Data15-22

 Medium Temperature15-18

 R-404A/R-50715

 R-407A/R-407F16

 R-407C17

 R-448A/449A18

 Low Temperature19-24

 R-404A/R-50719

 R-407A/R-407F20

 R-407C21

 R-448A/449A22

 Electrical Data23

 Unit Specifications.....24

 AWEF Ratings24

Dimensional Diagrams25

Nomenclature							
B Model	D Compressor	T Application	0500 Equiv. HP		L Temperature	6 Refrigerant	C Voltage
B = Bohn	D = Discus® Z = Scroll	T = Outdoor N = Indoor S = IntelliGen™/ Beacon II™	0300 = 3HP 0400 = 4HP 0500 = 5HP 0501 = 5HP 0600 = 6HP 0601 = 6HP 0650 = 6.5HP 0700 = 7HP 0750 = 7.5HP	0751 = 7.5HP 0800 = 8HP 0860 = 8.5HP 0900 = 9HP 1000 = 10HP 1200 = 12HP 1300 = 13HP 1401 = 14HP 1500 = 15HP 2200 = 22HP	M = Med. Temp. L = Low Temp.	6 = R-404A, R-507 Scrolls also compatible with R-407A, R-407C, R407F, R-448A/449A Discus also compatible with R-407A, R-407C, R407F, R-448A/449A	C = 208-230/3/60 (200-220/3/50)* D = 460/3/60 (380-420/3/50)* E = 575/3/60 *Limited by compressor model

STANDARD FEATURES

- Floating Tube™ coil design
- Suction and discharge vibration eliminators with Copeland Discus® compressors
- Spring mounting with Discus® compressors
- Fixed high and adjustable low pressure switches
- Discharge line check valve with medium and low temperature Copeland Scroll compressors
- Discharge line thermostat with medium temperature Scroll compressors
- Liquid injection with low temperature Scroll compressors
- Manual pumpdown switch
- Refrigeration-duty, rifled copper condenser tubing
- Crankcase heater and head pressure valve on all outdoor units
- Sight glass and permanent liquid line filter

Better Performance

- Enhanced grill design gives 25% to 40% increase in free-air area
- Electrical box located out of air stream
- Vertical receiver needs less refrigerant for liquid seal

Faster Access

- Base valve and high & low pressure taps on outside of unit
- Removable grill for access to all serviceable parts
- Improved access to fan motors & components
- Lighter, one-piece top
- Easy-to-view sight glass location

Easier Service

- Better access to components for easier repair
- Compact design allows for better jobsite placement & installation
- Dual isolation valves on receiver

Greater Reliability

- Floating Tube™ coil design eliminates tube-sheet leaks
- Pre-bent tubing reduces mechanical joints
- State-of-the-art factory leak-detection ensures highest quality



The intelliGen™ Refrigeration Controller is a factory-mounted electronic control that delivers reliable operation and system performance. intelliGen™ helps reduce product spoilage by maintaining better temperature control and provides energy savings through optimizing defrosts.

REMOTE MONITORING CAPABILITY

Field installable optional intelliGen Webserver Card (iWC) enables local and remote monitoring on any phone, tablet, or laptop.

- Optional intelliGen Integration Card (iIC) allows connection with Building Management System (BMS)
- Receive alerts by: Web, BMS, Text (SMS) or Email

Smart Defrost Kit™

The Smart Defrost Kit (SDK), available as a factory-installed option is a control module that can reduce the number of defrosts by up to 40% on a typical commercial refrigeration system. This reduces energy consumption and costs.



Scroll Compressors

Bohn condensing units are available with Copeland Scroll compressors. Copeland Scroll compressors are hermetically sealed so no service is required. The Scroll's ability to handle liquid refrigerant makes it extremely reliable and, in low temperature applications, liquid injection is provided to lower discharge temperatures under adverse conditions. Also, nuisance oil safety trips are eliminated because the Scroll doesn't require an oil pressure sensing device.

Electrical Options	Mechanical Options
<ul style="list-style-type: none"> • Smart Defrost Kit™ (SDK) • Crankcase heater on indoor units • Mounted fused disconnect • Fan cycling • Low ambient kit (Heated & insulated receiver with low pressure cut-out time delay) • Defrost timer for air defrost • Defrost timer & contactor for electric defrost includes evaporator fan subfusing (Only the large 2 fan units have evaporator fan sub-fusing included as standard in the Electric Defrost kit) • IntelliGen™/Beacon II kits (see IntelliGen™/Beacon II™ section for details) • Electric Defrost Fusing (includes evaporator fan fusing on 1 fan and 2 fan units) • Dual-pressure control* • Adjustable high pressure control with manual reset* • Phase-loss monitor* • Compressor fusing* • Circuit breaker circuit protection for compressor, condenser fan and control circuit* 	<ul style="list-style-type: none"> • Head pressure valve on indoor units • Mounted liquid line solenoid valve • Replaceable core liquid line filter/drier • Permanent suction line filter • Replaceable core suction line filter • Suction accumulator • Oil separator • Bohnguard™ fin protection • Copper finned coil • Oversized receiver • Slanted louver for snowbelt regions (not available with indoor unit) • 12" extended legs for snowbelt regions • Hail guards • NEMA contactors* • Compressor unloading (one step)*

* Available on large two-fan cabinet only

PERFORMANCE DATA

Scroll Compressors - Medium Temperature Applications - R-404A/507

Model	Compressor	Capacity BTUH @ 90°F Ambient Suction Temperature				
		40°F	30°F	25°F	20°F	10°F
BZ*0650M6	ZB48KCE	73,820	63,560	58,750	54,140	45,560
BZ*0700M6	ZB58K5E	89,490	78,520	72,930	67,220	55,640
BZ*0750M6	ZB66K5E	101,820	89,790	83,570	77,340	65,010
BZ*0860M6	ZB76K5E	112,460	100,510	94,050	87,480	73,830
BZ*1000M6	ZB95K5E	135,560	121,480	113,480	104,610	89,330
BZ*1401M6	ZB114K5E	163,950	144,760	134,110	124,310	105,470

Model	Compressor	Capacity BTUH @ 95°F Ambient Suction Temperature				
		40°F	30°F	25°F	20°F	10°F
BZ*0650M6	ZB48KCE	70,090	60,410	55,880	51,500	43,300
BZ*0700M6	ZB58K5E	85,490	74,920	69,460	63,990	52,860
BZ*0750M6	ZB66K5E	97,640	86,190	80,250	74,290	62,450
BZ*0860M6	ZB76K5E	107,350	96,150	90,090	83,760	71,100
BZ*1000M6	ZB95K5E	129,960	116,720	108,200	100,490	85,340
BZ*1401M6	ZB114K5E	157,320	138,240	128,920	119,450	102,300

Model	Compressor	Capacity BTUH @ 100°F Ambient Suction Temperature				
		40°F	30°F	25°F	20°F	10°F
BZ*0650M6	ZB48KCE	66,330	57,210	52,940	48,790	41,030
BZ*0700M6	ZB58K5E	81,120	71,190	66,020	60,830	50,350
BZ*0750M6	ZB66K5E	93,460	82,610	76,960	71,250	59,880
BZ*0860M6	ZB76K5E	102,270	91,950	86,040	80,050	68,040
BZ*1000M6	ZB95K5E	124,400	110,910	104,720	97,380	82,700
BZ*1401M6	ZB114K5E	150,780	132,610	123,660	115,580	97,690

Model	Compressor	Capacity BTUH @ 110°F Ambient Suction Temperature				
		40°F	30°F	25°F	20°F	10°F
BZ*0650M6	ZB48KCE	—	50,640	46,850	43,140	36,330
BZ*0700M6	ZB58K5E	72,150	63,775	59,100	54,390	44,670
BZ*0750M6	ZB66K5E	84,560	75,430	70,410	65,180	55,210
BZ*0860M6	ZB76K5E	—	83,330	78,100	73,030	62,360
BZ*1000M6	ZB95K5E	—	—	95,780	89,190	75,650
BZ*1401M6	ZB114K5E	137,740	122,370	114,500	106,270	89,670

* = T for Outdoor, N for Indoor, S for IntelliGen™/Beacon II™
 Consult factory on all models for applications above 110°F ambient.

PERFORMANCE DATA

Scroll Compressors - Medium Temperature Applications - R-407A/R-407F

Model	Compressor	Capacity BTUH @ 90°F Ambient Suction Temperature				
		40°F	30°F	25°F	20°F	10°F
BZ*0650M6	ZB48KCE ¹	76,280	64,810	59,180	53,760	43,650
BZ*0700M6	ZB58K5E ¹	94,040	78,560	71,560	65,120	53,190
BZ*0750M6	ZB66K5E ¹	106,180	89,280	81,200	73,370	59,070
BZ*0860M6	ZB76K5E ¹	119,660	101,250	92,710	84,650	69,720
BZ*1000M6	ZB95K5E ¹	138,870	118,800	108,900	98,680	79,120
BZ*1401M6	ZB114K5E ¹	176,690	149,530	136,030	122,860	98,640

Model	Compressor	Capacity BTUH @ 95°F Ambient Suction Temperature				
		40°F	30°F	25°F	20°F	10°F
BZ*0650M6	ZB48KCE ¹	72,990	62,040	56,660	51,480	41,790
BZ*0700M6	ZB58K5E ¹	90,300	75,670	68,980	62,780	51,150
BZ*0750M6	ZB66K5E ¹	101,900	85,640	77,840	70,340	56,630
BZ*0860M6	ZB76K5E ¹	114,730	97,420	89,330	81,680	67,300
BZ*1000M6	ZB95K5E ¹	132,120	112,960	103,490	93,720	75,120
BZ*1401M6	ZB114K5E ¹	168,950	142,600	129,640	117,320	94,120

Model	Compressor	Capacity BTUH @ 100°F Ambient Suction Temperature				
		40°F	30°F	25°F	20°F	10°F
BZ*0650M6	ZB48KCE ¹	69,610	59,210	54,090	49,150	39,890
BZ*0700M6	ZB58K5E ¹	86,440	72,640	66,230	60,260	48,810
BZ*0750M6	ZB66K5E ¹	97,490	81,890	74,430	67,260	54,180
BZ*0860M6	ZB76K5E ¹	109,720	93,500	85,880	78,600	64,780
BZ*1000M6	ZB95K5E ¹	-	106,970	97,950	88,700	71,160
BZ*1401M6	ZB114K5E ¹	161,070	136,150	123,610	111,680	89,430

Model	Compressor	Capacity BTUH @ 110°F Ambient Suction Temperature				
		40°F	30°F	25°F	20°F	10°F
BZ*0650M6	ZB48KCE ¹	-	-	48,790	44,360	36,030
BZ*0700M6	ZB58K5E ¹	78,420	66,130	60,280	54,720	43,760
BZ*0750M6	ZB66K5E ¹	88,350	74,230	67,380	61,030	49,330
BZ*0860M6	ZB76K5E ¹	-	85,470	78,740	72,230	59,510
BZ*1000M6	ZB95K5E ¹	-	-	-	-	63,350
BZ*1401M6	ZB114K5E ¹	-	-	-	100,200	80,360

* = T for Outdoor, N for Indoor, S for IntelliGen™/Beacon II™

Consult factory on all models for application above 110F ambient

20°F Maximum Superheat

¹ R407F not available in 575/3/60.

PERFORMANCE DATA

Scroll Compressors - Medium Temperature Applications - R-407C

Model	Compressor	Capacity BTUH @ 90°F Ambient Suction Temperature				
		40°F	30°F	25°F	20°F	10°F
BZ*0650M6	ZB48KCE ¹	69,940	58,290	52,650	47,210	36,960
BZ*0700M6	ZB58K5E	88,220	72,610	65,530	58,920	46,970
BZ*0750M6	ZB66K5E	100,240	82,340	74,230	66,810	53,350
BZ*0860M6	ZB76K5E	114,850	95,240	86,230	77,810	62,880
BZ*1000M6	ZB95K5E	134,540	111,080	100,260	90,240	71,800
BZ*1401M6	ZB114K5E ²	164,380	136,000	122,780	110,450	88,500

Model	Compressor	Capacity BTUH @ 95°F Ambient Suction Temperature				
		40°F	30°F	25°F	20°F	10°F
BZ*0650M6	ZB48KCE ¹	67,400	56,120	50,650	45,350	35,340
BZ*0700M6	ZB58K5E	85,560	70,300	63,350	56,830	45,070
BZ*0750M6	ZB66K5E	97,420	79,930	72,020	64,770	51,600
BZ*0860M6	ZB76K5E	111,440	92,450	83,700	75,540	61,080
BZ*1000M6	ZB95K5E	129,770	106,980	96,480	86,750	68,820
BZ*1401M6	ZB114K5E ²	159,110	131,570	118,720	106,730	85,360

Model	Compressor	Capacity BTUH @ 100°F Ambient Suction Temperature				
		40°F	30°F	25°F	20°F	10°F
BZ*0650M6	ZB48KCE ¹	64,790	53,880	48,560	43,410	33,620
BZ*0700M6	ZB58K5E	82,790	67,750	61,010	54,590	43,010
BZ*0750M6	ZB66K5E	94,500	77,460	69,730	62,650	49,770
BZ*0860M6	ZB76K5E	107,990	89,620	81,160	73,270	59,290
BZ*1000M6	ZB95K5E	124,860	102,820	92,800	83,160	65,740
BZ*1401M6	ZB114K5E ²	153,690	127,000	114,540	102,900	82,130

Model	Compressor	Capacity BTUH @ 110°F Ambient Suction Temperature				
		40°F	30°F	25°F	20°F	10°F
BZ*0650M6	ZB48KCE ¹	-	49,180	44,140	39,290	30,050
BZ*0700M6	ZB58K5E	76,850	62,500	55,940	49,710	38,520
BZ*0750M6	ZB66K5E	88,400	72,270	64,950	58,200	45,950
BZ*0860M6	ZB76K5E	-	83,920	76,060	68,700	55,760
BZ*1000M6	ZB95K5E	-	-	84,740	75,710	59,380
BZ*1401M6	ZB114K5E ²	-	117,570	105,890	94,950	75,410

* = T for Outdoor, N for Indoor, S for IntelliGen™/Beacon II™
Consult factory on all models for application above 110F ambient

20°F Maximum Superheat

¹R407C not available in 575/3/60.

²R407C not available in 208-230/3/60 or 460/3/60.

PERFORMANCE DATA

Scroll Compressors - Medium Temperature Applications - R-448A/R-449A

Model	Compressor	Capacity BTUH @ 90°F Ambient Suction Temperature				
		40°F	30°F	25°F	20°F	10°F
BZ*0650M6	ZB48KCE	76,570	64,190	58,380	52,900	43,030
BZ*0700M6	ZB58K5E	93,760	77,070	69,420	62,320	49,780
BZ*0750M6	ZB66K5E	105,840	87,450	78,910	70,970	57,020
BZ*0860M6	ZB76K5E	119,560	99,340	89,900	81,030	65,540
BZ*1000M6	ZB95K5E	142,240	117,890	106,580	96,200	78,060
BZ*1401M6	ZB114K5E	179,600	147,130	132,340	118,830	95,380

Model	Compressor	Capacity BTUH @ 95°F Ambient Suction Temperature				
		40°F	30°F	25°F	20°F	10°F
BZ*0650M6	ZB48KCE	73,590	61,760	56,200	50,970	41,580
BZ*0700M6	ZB58K5E	90,490	74,650	67,310	60,510	48,430
BZ*0750M6	ZB66K5E	101,880	84,500	76,400	68,880	55,660
BZ*0860M6	ZB76K5E	115,050	96,060	87,180	78,830	64,280
BZ*1000M6	ZB95K5E	135,810	112,670	101,920	92,070	74,900
BZ*1401M6	ZB114K5E	172,070	141,060	126,930	114,010	91,710

Model	Compressor	Capacity BTUH @ 100°F Ambient Suction Temperature				
		40°F	30°F	25°F	20°F	10°F
BZ*0650M6	ZB48KCE	70,760	59,310	54,030	49,070	40,220
BZ*0700M6	ZB58K5E	87,070	72,050	65,070	58,610	47,070
BZ*0750M6	ZB66K5E	97,780	81,440	73,840	66,780	54,420
BZ*0860M6	ZB76K5E	110,380	92,680	84,400	76,650	63,190
BZ*1000M6	ZB95K5E	-	107,320	97,160	87,840	71,690
BZ*1401M6	ZB114K5E	164,280	134,800	121,360	109,070	87,970

Model	Compressor	Capacity BTUH @ 110°F Ambient Suction Temperature				
		40°F	30°F	25°F	20°F	10°F
BZ*0650M6	ZB48KCE	-	-	49,850	45,430	37,810
BZ*0700M6	ZB58K5E	79,600	66,300	60,080	54,370	44,140
BZ*0750M6	ZB66K5E	89,050	74,970	68,460	62,470	52,140
BZ*0860M6	ZB76K5E	-	85,640	78,710	72,290	61,470
BZ*1000M6	ZB95K5E	-	-	-	-	64,880
BZ*1401M6	ZB114K5E	-	-	-	98,900	80,330

NOTES:

* = T for Outdoor, N for Indoor, S for IntelliGen™/Beacon II™

Consult factory on all models for application above 110F ambient

20°F Maximum Superheat

PERFORMANCE DATA

Scroll Compressors - Low Temperature Applications† - R-404A/507

Model	Compressor	Capacity BTUH @ 90°F Ambient Suction Temperature				
		0°F	-10°F	-20°F	-30°F	-40°F
BZ*0750L6	ZF25K4E	40,520	33,850	27,510	21,860	17,230
BZ*1000L6	ZF34K5E	56,860	47,390	38,430	30,240	23,070
BZ*1300L6	ZF41K5E	72,010	59,990	48,700	38,720	30,610
BZ*1500L6	ZF49K5E	80,840	67,610	55,200	44,020	34,860

Model	Compressor	Capacity BTUH @ 95°F Ambient Suction Temperature				
		0°F	-10°F	-20°F	-30°F	-40°F
BZ*0750L6	ZF25K4E	39,060	32,650	26,540	21,060	16,540
BZ*1000L6	ZF34K5E	54,890	45,630	36,890	28,940	22,050
BZ*1300L6	ZF41K5E	69,440	57,900	47,010	37,330	29,410
BZ*1500L6	ZF49K5E	77,970	65,370	53,282	42,440	33,510

Model	Compressor	Capacity BTUH @ 100°F Ambient Suction Temperature				
		0°F	-10°F	-20°F	-30°F	-40°F
BZ*0750L6	ZF25K4E	37,590	31,460	25,580	20,260	15,850
BZ*1000L6	ZF34K5E	52,920	43,860	35,350	27,650	21,040
BZ*1300L6	ZF41K5E	66,890	55,810	45,320	35,940	28,220
BZ*1500L6	ZF49K5E	75,050	62,980	51,370	40,870	32,160

Model	Compressor	Capacity BTUH @ 110°F Ambient Suction Temperature				
		0°F	-10°F	-20°F	-30°F	-40°F
BZ*0750L6	ZF25K4E	34,680	29,090	23,660	18,690	14,490
BZ*1000L6	ZF34K5E	49,010	40,350	32,290	25,080	19,020
BZ*1300L6	ZF41K5E	61,740	51,640	41,950	33,180	26,590
BZ*1500L6	ZF49K5E	69,270	58,270	47,560	37,750	29,470

* = T for Outdoor, N for Indoor, S for IntelliGen™/Beacon II™

† Liquid Injection via DTC is required for operation at Low Temperature Applications

Consult factory on all models for applications above 110°F ambient.

PERFORMANCE DATA

Scroll Compressors - Low Temperature Applications‡ - R-407A/R-407F

Model	Compressor	Capacity BTUH @ 90°F Ambient Suction Temperature				
		0°F	-10°F	-20°F	-30°F	-40°F
BZ*0750L6	ZF25K4E	39,900	32,130	25,230	19,610	15,600
BZ*1000L6	ZF34K5E ^{3,4}	53,090	43,020	33,930	26,280	20,640
BZ*1300L6	ZF41K5E ⁴	67,620	54,560	42,860	33,190	26,110
BZ*1500L6	ZF49K5E ^{3,4}	79,860	64,310	50,410	39,030	31,050

Model	Compressor	Capacity BTUH @ 95°F Ambient Suction Temperature				
		0°F	-10°F	-20°F	-30°F	-40°F
BZ*0750L6	ZF25K4E	38,550	31,020	24,360	18,940	15,120
BZ*1000L6	ZF34K5E ^{3,4}	50,960	41,310	32,570	25,220	19,810
BZ*1300L6	ZF41K5E ⁴	65,350	52,700	41,380	32,020	25,180
BZ*1500L6	ZF49K5E ^{3,4}	76,950	61,910	48,500	37,520	29,850

Model	Compressor	Capacity BTUH @ 100°F Ambient Suction Temperature				
		0°F	-10°F	-20°F	-30°F	-40°F
BZ*0750L6	ZF25K4E	37,150	29,880	23,450	18,230	14,580
BZ*1000L6	ZF34K5E ^{3,4}	48,730	39,510	31,140	24,090	18,920
BZ*1300L6	ZF41K5E ⁴	63,030	50,770	39,830	30,770	24,170
BZ*1500L6	ZF49K5E ^{3,4}	73,900	59,420	46,490	35,900	28,530

Model	Compressor	Capacity BTUH @ 110°F Ambient Suction Temperature				
		0°F	-10°F	-20°F	-30°F	-40°F
BZ*0750L6	ZF25K4E	-	-	-	16,670	13,350
BZ*1000L6	ZF34K5E ^{3,4}	-	-	-	-	16,920
BZ*1300L6	ZF41K5E ⁴	57,910	46,620	36,440	28,000	21,840
BZ*1500L6	ZF49K5E ^{3,4}	73,900	59,420	46,490	35,900	28,530

NOTES:

* = T for Outdoor, N for Indoor, S for IntelliGen™/Beacon II™

Consult factory on all models for application above 110F ambient

‡Liquid Injection via DTC is required for operation at Low Temperature Application

³ R407F not available in 208-230/3/60

⁴R407F not available in 575/3/60

PERFORMANCE DATA

Scroll Compressors - Low Temperature Applications‡ - R-407C

Model	Compressor	Capacity BTUH @ 90°F Ambient Suction Temperature				
		0°F	-10°F	-20°F	-30°F	-40°F
BZ*0750L6	ZF25K4E	35,030	27,940	21,760	16,840	13,560
BZ*1000L6	ZF34K5E	47,810	38,290	29,810	22,970	18,330
BZ*1300L6	ZF41K5E	58,800	46,990	36,620	28,310	22,690
BZ*1500L6	ZF49K5E	70,990	56,570	43,920	33,900	27,440

Model	Compressor	Capacity BTUH @ 95°F Ambient Suction Temperature				
		0°F	-10°F	-20°F	-30°F	-40°F
BZ*0750L6	ZF25K4E	34,050	27,120	21,110	16,350	13,220
BZ*1000L6	ZF34K5E	46,260	37,000	28,770	22,150	17,720
BZ*1300L6	ZF41K5E	57,180	45,640	35,510	27,440	22,010
BZ*1500L6	ZF49K5E	68,900	54,790	42,500	32,740	26,550

Model	Compressor	Capacity BTUH @ 100°F Ambient Suction Temperature				
		0°F	-10°F	-20°F	-30°F	-40°F
BZ*0750L6	ZF25K4E	33,030	26,270	20,430	15,830	12,850
BZ*1000L6	ZF34K5E	44,620	35,640	27,650	21,270	17,030
BZ*1300L6	ZF41K5E	55,480	44,240	34,330	26,480	21,250
BZ*1500L6	ZF49K5E	66,680	52,920	40,950	31,480	25,540

Model	Compressor	Capacity BTUH @ 110°F Ambient Suction Temperature				
		0°F	-10°F	-20°F	-30°F	-40°F
BZ*0750L6	ZF25K4E	30,870	24,460	18,960	14,670	11,960
BZ*1000L6	ZF34K5E	-	-	-	19,240	15,370
BZ*1300L6	ZF41K5E	51,840	41,130	31,700	24,270	19,380
BZ*1500L6	ZF49K5E	66,680	52,920	40,950	31,480	25,540

NOTES:

* = T for Outdoor, N for Indoor, S for IntelliGen™/Beacon II™

Consult factory on all models for application above 110F ambient

‡Liquid Injection via DTC is required for operation at Low Temperature Application

PERFORMANCE DATA

Scroll Compressors - Low Temperature Applications - R-448A/R-449A

Model	Compressor	Capacity BTUH @ 90°F Ambient Suction Temperature				
		0°F	-10°F	-20°F	-30°F	-40°F
BZ*0750L6	ZF25K4E	39,760	31,900	25,200	19,750	15,430
BZ*1000L6	ZF34K5E	50,610	41,060	32,590	25,220	18,840
BZ*1300L6	ZF41K5E	65,040	52,570	41,650	32,300	24,230
BZ*1500L6	ZF49K5E	77,450	62,400	49,340	38,210	28,990

Model	Compressor	Capacity BTUH @ 95°F Ambient Suction Temperature				
		0°F	-10°F	-20°F	-30°F	-40°F
BZ*0750L6	ZF25K4E	38,390	30,820	24,430	19,260	15,270
BZ*1000L6	ZF34K5E	48,830	39,690	31,570	24,500	18,340
BZ*1300L6	ZF41K5E	63,030	51,010	40,460	31,420	23,620
BZ*1500L6	ZF49K5E	74,920	60,430	47,820	37,100	28,230

Model	Compressor	Capacity BTUH @ 100°F Ambient Suction Temperature				
		0°F	-10°F	-20°F	-30°F	-40°F
BZ*0750L6	ZF25K4E	37,010	29,750	23,690	18,830	15,180
BZ*1000L6	ZF34K5E	46,980	38,280	30,520	23,740	17,860
BZ*1300L6	ZF41K5E	60,940	49,390	39,240	30,520	23,010
BZ*1500L6	ZF49K5E	72,280	58,370	46,270	35,990	27,470

Model	Compressor	Capacity BTUH @ 110°F Ambient Suction Temperature				
		0°F	-10°F	-20°F	-30°F	-40°F
BZ*0750L6	ZF25K4E	-	27,740	22,330	18,130	15,180
BZ*1000L6	ZF34K5E	-	35,310	28,340	22,250	16,950
BZ*1300L6	ZF41K5E	56,550	45,990	36,670	28,670	21,780
BZ*1500L6	ZF49K5E	66,700	54,070	43,040	33,670	25,970

Consult factory on all models for applications above 110°F ambient

ELECTRICAL DATA

Scroll Compressors - Medium Temperature

Model	Voltage Supply [†]		Compressor		Condenser Fan Motor			intelliGen™/Beacon II™		Low Amps [^]				High Amps [^]				
										Electric Defrost		Def. Htr.‡	Evap. Fan	Electric Defrost		Def. Htr.‡	Evap. Fan	
	Volts	Ph	Hz [†]	RLA	LRA	Qty	HP	FLA	MCA	MOPD	MCA	MOPD	Amps	Amps	MCA	MOPD	Amps	Amps
BZ*0650M6C	208-230	3	60	22.8	164	1	1/3	2.7	31.1	50	-	-	-	-	50	60	40 (1)	15
BZ*0650M6D	460	3	60	12.2	100	1	1/3	1.9	20	25	-	-	-	-	25.2	35	20 (1)	8
BZ*0650M6E ^{1,2}	575	3	60	9.0	78	1	1/3	1.2	15	20	-	-	-	-	20	25	16 (1)	6.4
BZ*0700M6C	208-230	3	60	30.8	195	2	1/3	5.4	43.9	70	-	-	-	-	63.9	90	48 (1)	20
BZ*0700M6D	460	3	60	16.0	95	2	1/3	3.8	23.8	35	-	-	-	-	33.8	45	25 (1)	10
BZ*0700M6E ¹	575	3	60	12.2	80	2	1/3	2.4	20	25	-	-	-	-	25.6	35	20 (1)	8
BZ*0750M6C	208-230	3	60	35.3	225	2	1/3	5.4	49.5	80	-	-	-	-	69.5	100	48 (1)	20
BZ*0750M6D	460	3	60	15.4	114	2	1/3	3.8	23	35	-	-	-	-	33	45	25 (1)	10
BZ*0750M6E ¹	575	3	60	12.8	80	2	1/3	2.4	20	30	-	-	-	-	26.4	35	20 (1)	8
BZ*0860M6C	208-230	3	60	38.6	239	2	1/3	5.4	53.6	90	-	-	-	-	87.5	110	70 (2)	20
BZ*0860M6D	460	3	60	18.6	125	2	1/3	3.8	27	45	-	-	-	-	43.8	50	35 (1)	13
BZ*0860M6E ¹	575	3	60	13.1	80	2	1/3	2.4	20	30	-	-	-	-	35	40	28 (1)	10.4
BZ*1000M6C	208-230	3	60	47.4	350.0	2	1/3	5.4	64.7	110	-	-	-	-	87.5	125	70 (2)	20
BZ*1000M6D	460	3	60	22.4	158.0	2	1/3	3.8	31.8	44.8	-	-	-	-	44.8	60	35 (1)	13
BZ*1000M6E ¹	575	3	60	17.9	125.0	2	1/3	2.4	24.8	35.2	-	-	-	-	35.2	50	28 (1)	10.4
BZ*1401M6C ³	208-230	3	60	56.5	321	2	3/4	8.8	79.4	125	94.4	150	70 (2)	15	100	150	80 (2)	20
BZ*1401M6D ³	460	3	60	24.4	179	2	3/4	4.4	34.9	50	50	70	40 (1)	15	75	80	60 (2)	15
BZ*1401M6E ¹	575	3	60	20.1	132	2	3/4	3.6	28.7	45	40.7	60	32 (1)	12	60	60	48 (1)	12

* = T for Outdoor, N for Indoor, S for intelliGen™/Beacon II™

† = Consult factory for 50Hz applications

‡ = Number of defrost heater contactors in parentheses

^ = Two fan large units have ability for a reduced amp electric defrost kit (low amps). Confirm proper defrost kit prior to ordering or installing.

¹ R407F not available in 575/3/60.

² R407C not available in 575/3/60.

³ R407C not available in 208-230/3/60 or 460/3/60.

Scroll Compressors - Low Temperature Applications

Model	Voltage Supply [†]			Compressor		Condenser Fan Motor			intelliGen™/Beacon II™		Electric Defrost		Def. Htr.‡	Evap. Fan
	Volts	Ph	Hz [†]	RLA	LRA	Qty	HP	FLA	MCA	MOPD	MCA	MOPD	Amps	Amps
BZ*0750L6C	208-230	3	60	26.9	189.0	1	1/3	2.7	36.4	60	75.0	80	60 (2)	20
BZ*0750L6D	460	3	60	14.1	99.0	1	1/3	1.9	20.0	30	37.5	40	30 (1)	10
BZ*0750L6E	575	3	60	10.3	74.0	1	1/3	1.2	15.0	20	30.0	30	24 (1)	8
BZ*1000L6C ³	208-230	3	60	39.1	278.0	1	1/3	2.7	51.6	90	75.0	110	60 (2)	20
BZ*1000L6D	460	3	60	18.9	127.0	1	1/3	1.9	25.5	40	37.5	50	30 (1)	10
BZ*1000L6E ⁴	575	3	60	14.4	100.0	1	1/3	1.2	20.0	30	30.0	40	24 (1)	8
BZ*1300L6C	208-230	3	60	47.4	350.0	2	1/3	5.4	64.7	110	87.5	125	70 (2)	20
BZ*1300L6D	460	3	60	23.7	158.0	2	1/3	3.8	33.4	50	46.4	70	35 (1)	13
BZ*1300L6E ⁴	575	3	60	17.9	125.0	2	1/3	2.4	24.8	40	35.2	50	28 (1)	10.4
BZ*1500L6C ³	208-230	3	60	49.4	425.0	2	1/3	5.4	67.1	110	87.5	125	70 (2)	20
BZ*1500L6D	460	3	60	21.8	187.0	2	1/3	3.8	31.0	50	44.0	60	35 (1)	13
BZ*1500L6E ⁴	575	3	60	17.6	148.0	2	1/3	2.4	24.4	40	35.0	50	28 (1)	10.4

* = T for Outdoor, N for Indoor, S for intelliGen™/Beacon II™

† = Consult factory for 50Hz applications

‡ = Number of defrost heater contactors in parentheses

³ R407F not available in 208-230/3/60.

⁴ R407F not available in 575/3/60.

UNIT SPECIFICATIONS

Scroll Compressors - Medium Temperature

Model	Compressor Model	HP	Refrigerant Line Connections (OD)		Rec. Capacity @90% full (lbs)		Dimensions (inches)			Sound Data (dba) [†]	Net Wt. (lbs.)
			Liquid	Suction	Std	Opt	Length	Width	Height		
BZ*0650M6	ZB48KCE	6.5	1/2	1-1/8	28	52	36-3/4	51-3/4	39-1/4	78	574
BZ*0700M6	ZB58K5E	7.0	5/8	1-3/8	67	78	36-3/4	63-3/4	39-1/4	80	800
BZ*0750M6	ZB66K5E	7.5	5/8	1-3/8	67	78	36-3/4	63-3/4	39-1/4	80	813
BZ*0860M6	ZB76K5E	8.5	5/8	1-3/8	67	78	36-3/4	63-3/4	39-1/4	80	818
BZ*1000M6	ZB95K5E	10.0	5/8	1-3/8	67	78	36-3/4	63-3/4	39-1/4	82	908
BZ*1401M6	ZB114K5E	14.0	7/8	1-5/8	67	78	41-3/4	75-1/8	48-3/4	82	1,235

Scroll Compressors - Low Temperature

Model	Compressor Model	HP	Refrigerant Line Connections (OD)		Rec. Capacity @90% full (lbs)		Dimensions (inches)			Sound Data (dba) [†]	Net Wt. (lbs.)
			Liquid	Suction	Std	Opt	Length	Width	Height		
BZ*0750L6	ZF25K4E	7.5	1/2	1-1/8	28	52	36-3/4	51-3/4	39-1/4	82	671
BZ*1000L6	ZF34K5E	10.0	1/2	1-1/8	28	52	36-3/4	51-3/4	39-1/4	82	671
BZ*1300L6	ZF41K5E	13.0	5/8	1-3/8	67	78	36-3/4	63-3/4	39-1/4	84	910
BZ*1500L6	ZF49K5E	15.0	5/8	1-3/8	67	78	36-3/4	63-3/4	39-1/4	83	891

* = T for Outdoor, N for Indoor, S for IntelliGen™/Beacon II™

[†] FOR ALL SOUND DATA: Estimate sound pressure values are 5 feet from the unit. For estimating sound pressure from unit at different distances, deduct the following from the unit values: 10 feet deducts 6 dba, 20 feet deducts 12 dba, 40 feet deducts 18 dba. This data is typical of "free field" conditions for horizontal air cooled condensing units at the outlet of the discharge air. The actual sound measurements may vary depending on the condensing unit installation. Factors such as reflecting walls, background noise, and mounting conditions may have a significant influence on this data.

AWEF Values: Medium/High Temperature Condensing Units - Cooler Application

Model	Indoor				Outdoor / IntelliGen™/Beacon II™			
	R404A/ R507A	R407A	R407C	R448A/ R449A	R404A/ R507A	R407A	R407C	R448A/ R449A
BZ*0650M6	5.79	5.92	5.99	6.11	9.63	9.22	9.00	9.58
BZ*0700M6	6.12	5.96	6.61	6.42	9.58	8.62	9.11	8.99
BZ*0750M6	6.26	6.11	6.83	6.59	9.87	8.98	9.37	9.28
BZ*0860M6	5.98	5.88	6.53	6.27	9.52	8.87	9.27	9.04
BZ*1000M6	5.29	5.07	5.93	5.31	8.81	8.21	9.05	8.60
BZ*1401M6	5.51	5.43	6.11	5.56	9.03	8.42	8.79	8.67

These refrigeration systems are designed and certified for use in walk-in cooler applications.

* T = Outdoors, N = Indoors, S = IntelliGen™/Beacon II™

PERFORMANCE DATA

Discus Compressors - Medium Temperature Applications - R-404A/507

Model	Compressor	Capacity BTUH @ 90°F Ambient Suction Temperature					
		40°F	30°F	20°F	15°F	0°F	-10°F
BD*0500M6	2DC3R53KE	56,550	49,130	41,390	33,780	26,610	20,610
BD*0501M6	2DD3R63KE	64,500	56,160	47,920	39,480	31,490	24,820
BD*0750M6	2DL3R78KE	78,520	68,490	58,930	48,810	39,060	30,850
BD*0751M6	2DA3R89KE	95,540	83,510	71,440	59,380	47,760	37,700
BD*0800M6	3DA3R10ME	111,970	98,210	83,450	69,400	55,730	44,150
BD*1000M6	3DB3R12ME	128,860	114,710	97,920	82,310	62,280	52,260
BD*1200M6	3DF3R15ME	150,790	133,280	116,610	98,100	79,540	63,260
BD*1500M6	3DS3R17ME	176,330	156,910	134,090	112,610	90,910	72,080

Model	Compressor	Capacity BTUH @ 95°F Ambient Suction Temperature					
		40°F	30°F	20°F	15°F	0°F	-10°F
BD*0500M6	2DC3R53KE	53,940	46,880	39,280	32,220	25,330	19,560
BD*0501M6	2DD3R63KE	61,590	53,590	45,530	37,700	30,080	23,810
BD*0750M6	2DL3R78KE	74,990	65,510	56,000	46,750	37,380	29,570
BD*0751M6	2DA3R89KE	90,870	79,960	68,060	56,890	45,670	36,060
BD*0800M6	3DA3R10ME	107,150	94,270	80,170	66,800	53,610	42,460
BD*1000M6	3DB3R12ME	123,170	109,930	93,930	79,060	63,630	50,180
BD*1200M6	3DF3R15ME	144,290	127,640	111,940	94,270	76,300	61,160
BD*1500M6	3DS3R17ME	168,560	150,350	128,610	108,240	87,380	69,470

Model	Compressor	Capacity BTUH @ 100°F Ambient Suction Temperature					
		40°F	30°F	20°F	15°F	0°F	-10°F
BD*0500M6	2DC3R53KE	51,100	44,590	37,400	30,500	24,070	18,790
BD*0501M6	2DD3R63KE	58,670	51,090	43,640	35,950	28,670	22,710
BD*0750M6	2DL3R78KE	71,410	62,540	53,530	44,690	35,700	28,180
BD*0751M6	2DA3R89KE	86,130	76,400	65,470	54,140	43,490	34,200
BD*0800M6	3DA3R10ME	102,420	90,330	77,330	63,930	51,480	40,620
BD*1000M6	3DB3R12ME	117,590	105,200	90,730	75,350	60,950	47,890
BD*1200M6	3DF3R15ME	137,400	123,360	107,260	89,720	73,200	58,540
BD*1500M6	3DS3R17ME	160,860	143,860	124,130	103,290	83,840	66,530

Model	Compressor	Capacity BTUH @ 110°F Ambient Suction Temperature					
		40°F	30°F	20°F	15°F	0°F	-10°F
BD*0500M6	2DC3R53KE	45,880	40,200	33,670	27,400	21,520	16,540
BD*0501M6	2DD3R63KE	52,820	46,390	39,160	32,270	25,980	20,540
BD*0750M6	2DL3R78KE	—	57,070	48,910	40,220	32,500	25,330
BD*0751M6	2DA3R89KE	77,750	69,330	59,180	49,200	39,600	30,540
BD*0800M6	3DA3R10ME	92,590	82,550	70,980	58,770	47,440	36,900
BD*1000M6	3DB3R12ME	—	94,900	82,760	68,920	55,900	43,240
BD*1200M6	3DF3R15ME	—	—	97,720	82,840	67,700	53,680
BD*1500M6	3DS3R17ME	146,980	129,870	113,470	94,610	77,220	60,500

* = T for Outdoor, N for Indoor, S for IntelliGen™/Beacon II™
 Consult factory on all models for applications above 110°F ambient.

PERFORMANCE DATA

Discus Compressors - Medium Temperature Applications - R-407A/R-407F

Model	Compressor	Capacity BTUH @ 90°F Ambient Suction Temperature					
		40°F	30°F	20°F	15°F	0°F	-10°F
BD*0500M6	2DC3R53KE	51,460	42,220	33,910	30,220	20,980	16,360
BD*0501M6	2DD3R63KE	58,640	48,270	39,060	34,910	24,730	19,680
BD*0750M6	2DL3R78KE	80,650	67,850	56,490	51,290	37,480	29,160
BD*0751M6	2DA3R89KE	98,470	81,920	66,830	60,090	42,490	32,890
BD*0800M6	3DA3R10ME	117,170	98,220	79,980	71,440	49,360	39,000
BD*1000M6	3DB3R12ME	132,530	112,490	92,950	83,540	58,960	47,030
BD*1200M6	3DF3R15ME	147,130	125,260	104,120	93,900	66,740	53,660
BD*1500M6	3DS3R17ME	179,770	152,610	126,210	113,500	79,480	61,450

Model	Compressor	Capacity BTUH @ 95°F Ambient Suction Temperature					
		40°F	30°F	20°F	15°F	0°F	-10°F
BD*0500M6	2DC3R53KE	49,240	40,380	32,380	28,890	20,090	15,740
BD*0501M6	2DD3R63KE	56,110	46,160	37,290	33,370	23,680	18,930
BD*0750M6	2DL3R78KE	77,140	64,940	54,090	49,110	35,870	27,900
BD*0751M6	2DA3R89KE	94,310	78,460	64,090	57,560	40,610	31,310
BD*0800M6	3DA3R10ME	111,950	93,910	76,480	68,290	47,070	37,040
BD*1000M6	3DB3R12ME	126,500	107,520	88,910	79,890	56,250	44,690
BD*1200M6	3DF3R15ME	140,150	119,410	99,330	89,590	63,660	51,050
BD*1500M6	3DS3R17ME	171,940	146,250	120,840	108,840	76,060	58,390

Model	Compressor	Capacity BTUH @ 100°F Ambient Suction Temperature					
		40°F	30°F	20°F	15°F	0°F	-10°F
BD*0500M6	2DC3R53KE	47,020	38,550	30,910	27,580	19,230	15,150
BD*0501M6	2DD3R63KE	53,590	44,080	35,600	31,870	22,670	18,220
BD*0750M6	2DL3R78KE	73,620	62,040	51,680	46,910	34,250	26,610
BD*0751M6	2DA3R89KE	90,140	75,040	61,300	55,020	38,720	29,720
BD*0800M6	3DA3R10ME	106,750	89,820	73,000	65,200	44,770	35,080
BD*1000M6	3DB3R12ME	120,470	102,520	84,820	76,180	53,490	42,300
BD*1200M6	3DF3R15ME	133,220	113,970	94,540	85,270	60,420	48,360
BD*1500M6	3DS3R17ME	164,180	139,940	115,870	104,270	72,600	55,310

Model	Compressor	Capacity BTUH @ 110°F Ambient Suction Temperature					
		40°F	30°F	20°F	15°F	0°F	-10°F
BD*0500M6	2DC3R53KE	-	34,580	27,790	24,830	17,470	13,980
BD*0501M6	2DD3R63KE	-	39,530	32,010	28,680	20,600	16,820
BD*0750M6	2DL3R78KE	-	55,080	45,930	41,670	30,350	23,460
BD*0751M6	2DA3R89KE	-	66,130	53,960	48,400	33,820	25,590
BD*0800M6	3DA3R10ME	-	77,940	63,410	56,500	38,490	29,670
BD*1000M6	3DB3R12ME	-	-	72,430	64,870	45,150	35,000
BD*1200M6	3DF3R15ME	-	-	-	-	50,110	39,620
BD*1500M6	3DS3R17ME	-	-	-	-	61,000	45,050

NOTES:

* = T for Outdoor, N for Indoor, S for IntelliGen™/Beacon II™

Consult factory on all models for application above 110F ambient

PERFORMANCE DATA

Discus Compressors - Medium Temperature Applications - R-407C

Model	Compressor	Capacity BTUH @ 90°F Ambient Suction Temperature					
		40°F	30°F	20°F	15°F	0°F	-10°F
BD*0500M6	2DC3R53KE	56,300	45,410	35,800	31,660	21,590	16,910
BD*0501M6	2DD3R63KE	64,100	51,830	41,100	36,470	25,310	20,180
BD*0750M6	2DL3R78KE	77,640	63,600	51,190	45,640	32,090	25,700
BD*0751M6	2DA3R89KE	92,900	75,590	60,300	53,520	36,780	28,480
BD*0800M6	3DA3R10ME	108,290	90,140	73,320	65,540	45,420	34,780
BD*1000M6	3DB3R12ME	124,480	104,530	85,920	77,180	54,290	41,980
BD*1200M6	3DF3R15ME	140,060	117,980	97,060	87,250	61,300	47,800
BD*1500M6	3DS3R17ME	168,040	141,120	115,850	104,010	72,520	55,220

Model	Compressor	Capacity BTUH @ 95°F Ambient Suction Temperature					
		40°F	30°F	20°F	15°F	0°F	-10°F
BD*0500M6	2DC3R53KE	54,270	43,670	34,340	30,330	20,630	16,190
BD*0501M6	2DD3R63KE	61,840	49,930	39,550	35,040	24,320	19,470
BD*0750M6	2DL3R78KE	74,990	61,410	49,380	44,030	31,050	25,070
BD*0751M6	2DA3R89KE	89,780	73,030	58,140	51,550	35,250	27,170
BD*0800M6	3DA3R10ME	104,490	86,990	70,600	63,080	43,230	32,630
BD*1000M6	3DB3R12ME	120,030	100,830	82,670	74,270	51,740	39,410
BD*1200M6	3DF3R15ME	134,800	113,720	93,250	83,720	58,250	44,820
BD*1500M6	3DS3R17ME	162,280	136,400	111,970	100,460	69,560	52,110

Model	Compressor	Capacity BTUH @ 100°F Ambient Suction Temperature					
		40°F	30°F	20°F	15°F	0°F	-10°F
BD*0500M6	2DC3R53KE	52,280	41,980	32,920	29,050	19,690	15,500
BD*0501M6	2DD3R63KE	59,620	48,160	38,040	33,660	23,370	18,810
BD*0750M6	2DL3R78KE	72,390	59,250	47,630	42,470	30,070	24,500
BD*0751M6	2DA3R89KE	86,760	70,490	56,010	49,600	33,750	25,890
BD*0800M6	3DA3R10ME	100,690	83,800	67,920	60,510	40,900	30,260
BD*1000M6	3DB3R12ME	115,550	97,020	79,400	71,200	48,900	36,580
BD*1200M6	3DF3R15ME	129,470	109,170	89,300	80,030	55,130	41,640
BD*1500M6	3DS3R17ME	156,510	131,630	107,980	96,760	66,310	48,780

Model	Compressor	Capacity BTUH @ 110°F Ambient Suction Temperature					
		40°F	30°F	20°F	15°F	0°F	-10°F
BD*0500M6	2DC3R53KE	48,430	38,690	30,280	26,620	17,980	14,250
BD*0501M6	2DD3R63KE	-	44,590	35,130	31,060	21,630	17,630
BD*0750M6	2DL3R78KE	-	55,110	44,300	39,520	28,310	23,540
BD*0751M6	2DA3R89KE	80,820	65,540	51,860	45,810	30,820	23,380
BD*0800M6	3DA3R10ME	93,100	77,440	62,240	55,150	35,860	24,960
BD*1000M6	3DB3R12ME	-	89,140	72,590	64,550	42,690	30,180
BD*1200M6	3DF3R15ME	-	-	81,010	72,170	47,850	35,840
BD*1500M6	3DS3R17ME	-	121,890	99,660	88,830	59,210	41,500

NOTES:

* = T for Outdoor, N for Indoor, S for IntelliGen™/Beacon II™

Consult factory on all models for application above 110F ambient

PERFORMANCE DATA

Discus Compressors - Medium Temperature Applications - R-448A/R-449A

Model	Compressor	Capacity BTUH @ 90°F Ambient Suction Temperature					
		40°F	30°F	20°F	15°F	0°F	-10°F
BD*0500M6	2DC3R53KE	50,820	41,620	33,380	29,760	20,550	15,980
BD*0501M6	2DD3R63KE	57,910	47,580	38,440	34,380	24,230	19,220
BD*0750M6	2DL3R78KE	80,700	67,760	56,190	50,870	36,480	27,690
BD*0751M6	2DA3R89KE	97,210	80,880	66,020	59,250	41,620	32,090
BD*0800M6	3DA3R10ME	115,900	97,520	79,820	71,540	49,730	38,260
BD*1000M6	3DB3R12ME	132,160	112,240	93,070	83,900	59,370	46,290
BD*1200M6	3DF3R15ME	147,590	125,880	104,760	94,750	67,230	53,030
BD*1500M6	3DS3R17ME	179,110	152,030	125,750	113,190	79,310	60,940

Model	Compressor	Capacity BTUH @ 95°F Ambient Suction Temperature					
		40°F	30°F	20°F	15°F	0°F	-10°F
BD*0500M6	2DC3R53KE	48,810	39,960	32,030	28,550	19,750	15,420
BD*0501M6	2DD3R63KE	55,620	45,690	36,890	32,990	23,280	18,550
BD*0750M6	2DL3R78KE	77,500	65,160	54,040	48,910	34,980	26,450
BD*0751M6	2DA3R89KE	93,610	77,830	63,510	56,970	39,950	30,660
BD*0800M6	3DA3R10ME	111,260	93,700	76,660	68,720	47,480	36,160
BD*1000M6	3DB3R12ME	126,730	107,750	89,360	80,520	56,680	43,820
BD*1200M6	3DF3R15ME	141,140	120,490	100,300	90,730	64,230	50,370
BD*1500M6	3DS3R17ME	172,090	146,320	121,140	109,050	76,240	58,260

Model	Compressor	Capacity BTUH @ 100°F Ambient Suction Temperature					
		40°F	30°F	20°F	15°F	0°F	-10°F
BD*0500M6	2DC3R53KE	46,810	38,310	30,700	27,370	18,980	14,900
BD*0501M6	2DD3R63KE	53,340	43,800	35,360	31,620	22,370	17,920
BD*0750M6	2DL3R78KE	74,320	62,530	51,870	46,920	33,460	25,140
BD*0751M6	2DA3R89KE	89,870	74,750	60,990	54,670	38,190	29,220
BD*0800M6	3DA3R10ME	106,630	89,840	73,360	65,800	45,100	33,970
BD*1000M6	3DB3R12ME	121,280	103,190	85,550	77,020	53,940	41,260
BD*1200M6	3DF3R15ME	-	115,030	95,780	86,440	61,020	47,610
BD*1500M6	3DS3R17ME	165,050	140,570	116,530	104,900	73,150	55,540

Model	Compressor	Capacity BTUH @ 110°F Ambient Suction Temperature					
		40°F	30°F	20°F	15°F	0°F	-10°F
BD*0500M6	2DC3R53KE	42,830	35,030	28,120	25,080	17,530	13,960
BD*0501M6	2DD3R63KE	48,810	40,050	32,380	28,980	20,670	16,780
BD*0750M6	2DL3R78KE	-	-	47,500	42,940	30,330	22,490
BD*0751M6	2DA3R89KE	82,330	68,490	55,810	50,010	34,710	26,300
BD*0800M6	3DA3R10ME	97,330	82,070	66,910	59,730	40,220	29,410
BD*1000M6	3DB3R12ME	-	93,860	77,740	69,830	48,000	35,890
BD*1200M6	3DF3R15ME	-	-	86,650	78,100	54,440	41,880
BD*1500M6	3DS3R17ME	-	-	107,290	96,630	66,990	50,110

Consult factory on all models for applications above 110°F ambient.

PERFORMANCE DATA

Discus Compressors - Low Temperature Applications - R-404A/507

Model	Compressor	Capacity BTUH @ 90°F Ambient Suction Temperature				
		0°F	-10°F	-20°F	-30°F	-40°F
BD*0300L6	2DF3F16KE	33,130	26,750	20,750	15,530	11,470
BD*0400L6	2DL3F20KE	38,320	31,200	24,500	18,590	13,820
BD*0600L6	2DB3F25KE	44,920	36,970	29,340	22,440	16,730
BD*0601L6	3DA3F28KE	49,300	40,810	32,530	25,110	19,140
BD*0750L6	3DB3F33KE	57,490	47,800	38,230	29,550	22,550
BD*0900L6	3DF3F40KE	75,860	62,020	49,030	37,670	28,660
BD*1000L6	3DS3F46KE	82,110	67,850	54,240	42,040	31,990
BD*1200L6	4DBNF54KE	102,010	82,180	65,110	49,920	35,600
BD*1500L6	4DHNF63KE	112,860	93,820	75,470	58,730	44,520
BD*2200L6	4DJNF76KE	128,840	108,680	88,210	68,690	51,450

Model	Compressor	Capacity BTUH @ 95°F Ambient Suction Temperature				
		0°F	-10°F	-20°F	-30°F	-40°F
BD*0300L6	2DF3F16KE	31,390	25,320	19,560	14,500	10,490
BD*0400L6	2DL3F20KE	36,470	29,620	23,140	17,400	12,750
BD*0600L6	2DB3F25KE	42,830	35,160	27,770	21,070	15,490
BD*0601L6	3DA3F28KE	47,060	38,920	30,940	23,710	17,830
BD*0750L6	3DB3F33KE	54,880	45,630	36,410	27,960	21,030
BD*0900L6	3DF3F40KE	72,600	59,280	46,730	35,680	26,850
BD*1000L6	3DS3F46KE	78,620	64,870	51,680	39,780	29,910
BD*1200L6	4DBNF54KE	97,660	78,720	62,240	47,360	33,140
BD*1500L6	4DHNF63KE	107,630	89,380	71,720	55,530	41,710
BD*2200L6	4DJNF76KE	122,150	103,010	83,410	64,540	47,660

Model	Compressor	Capacity BTUH @ 100°F Ambient Suction Temperature				
		0°F	-10°F	-20°F	-30°F	-40°F
BD*0300L6	2DF3F16KE	29,220	23,560	18,380	13,470	9,520
BD*0400L6	2DL3F20KE	34,630	28,040	21,790	16,220	11,690
BD*0600L6	2DB3F25KE	40,730	33,360	26,210	19,700	14,260
BD*0601L6	3DA3F28KE	44,820	37,050	29,370	22,330	16,530
BD*0750L6	3DB3F33KE	52,280	43,470	34,600	26,380	19,520
BD*0900L6	3DF3F40KE	69,350	56,570	44,440	33,700	25,050
BD*1000L6	3DS3F46KE	75,150	61,900	49,130	37,540	27,840
BD*1200L6	4DBNF54KE	93,200	75,170	59,250	44,710	30,580
BD*1500L6	4DHNF63KE	102,420	84,970	67,990	52,350	38,930
BD*2200L6	4DJNF76KE	115,500	97,380	78,650	60,410	43,880

Model	Compressor	Capacity BTUH @ 110°F Ambient Suction Temperature				
		0°F	-10°F	-20°F	-30°F	-40°F
BD*0300L6	2DF3F16KE	26,200	21,060	16,040	11,440	7,580
BD*0400L6	2DL3F20KE	30,970	24,900	19,100	13,890	9,590
BD*0600L6	2DB3F25KE	36,590	29,780	23,110	16,990	11,800
BD*0601L6	3DA3F28KE	40,390	33,350	26,250	19,610	13,960
BD*0750L6	3DB3F33KE	47,130	39,210	31,040	23,260	16,540
BD*0900L6	3DF3F40KE	62,910	51,180	39,920	29,810	21,490
BD*1000L6	3DS3F46KE	68,260	56,030	44,090	33,100	23,740
BD*1200L6	4DBNF54KE	—	67,750	52,970	39,060	25,160
BD*1500L6	4DHNF63KE	92,110	76,230	60,620	46,070	33,400
BD*2200L6	4DJNF76KE	102,320	86,230	69,210	52,230	36,370

* = T for Outdoor, N for Indoor, S for IntelliGen™/Beacon II™
 Consult factory on all models for applications above 110°F ambient.

PERFORMANCE DATA

Discus Compressors - Low Temperature Application - R407A/F - Demand Cooling is required for all applications

Model	Compressor	Capacity BTUH @ 90°F Ambient Suction Temperature				
		0°F	-10°F	-20°F	-30°F	-40°F
BD*0300L6	2DF3F16KE	29,980	22,800	16,980	12,140	7,910
BD*0400L6	2DL3F20KE	34,480	26,930	20,080	14,150	9,260
BD*0600L6	2DB3F25KE	40,990	32,150	24,390	17,780	11,920
BD*0601L6	3DA3F28KE	45,510	35,740	27,170	19,750	13,160
BD*0750L6	3DB3F33KE	54,450	43,290	33,440	24,740	16,550
BD*0900L6	3DF3F40KE	71,740	55,720	42,040	30,480	20,250
BD*1000L6	3DS3F46KE	77,140	60,040	45,440	33,000	21,940
BD*1200L6	4DBNF54KE	94,930	74,510	55,850	39,630	26,000
BD*1500L6	4DHNF63KE	106,130	84,970	65,370	48,000	33,280
BD*2200L6	4DJNF76KE	129,550	101,830	77,650	58,030	44,020

Model	Compressor	Capacity BTUH @ 95°F Ambient Suction Temperature				
		0°F	-10°F	-20°F	-30°F	-40°F
BD*0300L6	2DF3F16KE	28,550	21,690	16,100	11,420	7,320
BD*0400L6	2DL3F20KE	32,910	25,650	19,060	13,350	8,660
BD*0600L6	2DB3F25KE	39,200	30,670	23,190	16,850	11,270
BD*0601L6	3DA3F28KE	43,330	33,930	25,600	18,430	12,000
BD*0750L6	3DB3F33KE	52,000	41,190	31,570	23,160	15,200
BD*0900L6	3DF3F40KE	68,460	53,010	39,760	28,510	18,520
BD*1000L6	3DS3F46KE	73,400	57,100	42,940	30,840	20,040
BD*1200L6	4DBNF54KE	90,430	70,860	52,920	37,160	23,900
BD*1500L6	4DHNF63KE	101,270	81,010	62,150	45,370	31,110
BD*2200L6	4DJNF76KE	123,260	96,720	73,420	54,940	42,000

Model	Compressor	Capacity BTUH @ 100°F Ambient Suction Temperature				
		0°F	-10°F	-20°F	-30°F	-40°F
BD*0300L6	2DF3F16KE	27,210	20,580	15,220	10,710	6,730
BD*0400L6	2DL3F20KE	31,300	24,340	18,040	12,560	8,090
BD*0600L6	2DB3F25KE	37,370	29,170	22,000	15,910	10,640
BD*0601L6	3DA3F28KE	41,130	32,100	24,060	17,110	10,810
BD*0750L6	3DB3F33KE	49,530	39,080	29,720	21,550	13,830
BD*0900L6	3DF3F40KE	65,150	50,240	37,510	26,520	16,760
BD*1000L6	3DS3F46KE	69,940	54,010	40,410	28,650	18,110
BD*1200L6	4DBNF54KE	85,980	67,130	49,840	34,570	21,680
BD*1500L6	4DHNF63KE	96,410	77,040	58,860	42,670	28,860
BD*2200L6	4DJNF76KE	117,030	91,540	69,250	51,760	39,900

Model	Compressor	Capacity BTUH @ 110°F Ambient Suction Temperature				
		0°F	-10°F	-20°F	-30°F	-40°F
BD*0300L6	2DF3F16KE	24,410	18,430	13,490	9,320	5,590
BD*0400L6	2DL3F20KE	27,990	21,660	15,950	10,990	6,990
BD*0600L6	2DB3F25KE	33,590	26,050	19,580	14,110	9,460
BD*0601L6	3DA3F28KE	-	28,500	20,930	14,420	8,450
BD*0750L6	3DB3F33KE	-	34,780	25,970	18,270	11,000
BD*0900L6	3DF3F40KE	58,490	44,710	32,820	22,460	13,160
BD*1000L6	3DS3F46KE	62,530	48,050	35,350	24,210	14,170
BD*1200L6	4DBNF54KE	76,880	59,350	43,360	29,100	16,920
BD*1500L6	4DHNF63KE	86,660	68,890	52,210	37,230	24,230
BD*2200L6	4DJNF76KE	104,420	81,040	60,730	45,310	35,370

NOTES:

* = T for Outdoor, N for Indoor, S for IntelliGen™/Beacon II™

Consult factory on all models for application above 110F ambient

PERFORMANCE DATA

"Discus Compressors - Low Temperature Application - R407C - Demand Cooling is required for all applications

Model	Compressor	Capacity BTUH @ 90°F Ambient Suction Temperature				
		0°F	-10°F	-20°F	-30°F	-40°F
BD*0300L6	2DF3F16KE	25,980	19,650	14,550	10,450	6,920
BD*0400L6	2DL3F20KE	30,090	23,360	17,380	12,240	8,100
BD*0600L6	2DB3F25KE	36,370	28,190	21,320	15,460	10,390
BD*0601L6	3DA3F28KE	40,930	31,700	23,570	16,740	11,140
BD*0750L6	3DB3F33KE	48,600	38,040	28,810	20,930	14,240
BD*0900L6	3DF3F40KE	62,490	48,390	36,150	25,500	16,460
BD*1000L6	3DS3F46KE	67,050	51,940	38,830	27,580	18,130
BD*1200L6	4DBNF54KE ¹	83,370	63,270	46,440	32,540	21,260
BD*1500L6	4DHNF63KE	93,900	72,420	54,470	39,590	27,260
BD*2200L6	4DJNF76KE	108,590	83,380	63,440	47,290	32,590

Model	Compressor	Capacity BTUH @ 95°F Ambient Suction Temperature				
		0°F	-10°F	-20°F	-30°F	-40°F
BD*0300L6	2DF3F16KE	24,950	18,850	13,920	9,900	6,370
BD*0400L6	2DL3F20KE	28,970	22,430	16,620	11,580	7,500
BD*0600L6	2DB3F25KE	35,050	27,100	20,380	14,640	9,680
BD*0601L6	3DA3F28KE	39,130	30,210	22,320	15,660	10,180
BD*0750L6	3DB3F33KE	46,660	36,290	27,240	19,520	12,990
BD*0900L6	3DF3F40KE	60,160	46,330	34,250	23,920	15,340
BD*1000L6	3DS3F46KE	64,430	49,730	36,920	25,980	16,860
BD*1200L6	4DBNF54KE ¹	79,890	60,420	43,980	30,470	19,430
BD*1500L6	4DHNF63KE	90,070	69,220	51,790	37,310	25,310
BD*2200L6	4DJNF76KE	104,240	80,160	60,910	45,140	30,710

Model	Compressor	Capacity BTUH @ 100°F Ambient Suction Temperature				
		0°F	-10°F	-20°F	-30°F	-40°F
BD*0300L6	2DF3F16KE	23,910	18,030	13,230	9,280	5,740
BD*0400L6	2DL3F20KE	27,800	21,460	15,780	10,870	6,840
BD*0600L6	2DB3F25KE	33,590	25,920	19,350	13,730	8,850
BD*0601L6	3DA3F28KE	37,260	28,640	21,000	14,510	9,160
BD*0750L6	3DB3F33KE	44,730	34,530	25,660	18,090	11,690
BD*0900L6	3DF3F40KE	57,830	44,120	32,250	22,300	14,140
BD*1000L6	3DS3F46KE	61,610	47,260	34,920	24,300	15,510
BD*1200L6	4DBNF54KE ¹	76,350	57,450	41,430	28,260	17,450
BD*1500L6	4DHNF63KE	86,160	65,920	49,030	34,940	23,260
BD*2200L6	4DJNF76KE	99,760	76,700	58,110	42,810	28,690

Model	Compressor	Capacity BTUH @ 110°F Ambient Suction Temperature				
		0°F	-10°F	-20°F	-30°F	-40°F
BD*0300L6	2DF3F16KE	21,810	16,290	11,700	7,810	3,920
BD*0400L6	2DL3F20KE	25,190	19,260	13,860	9,160	4,460
BD*0600L6	2DB3F25KE	30,430	23,150	16,950	11,590	6,870
BD*0601L6	3DA3F28KE	33,440	25,320	18,120	12,020	6,910
BD*0750L6	3DB3F33KE	40,870	31,020	22,330	15,040	8,870
BD*0900L6	3DF3F40KE	52,820	39,540	28,130	18,850	11,550
BD*1000L6	3DS3F46KE	55,610	42,210	30,460	20,630	12,520
BD*1200L6	4DBNF54KE ¹	68,850	51,140	35,990	23,440	13,170
BD*1500L6	4DHNF63KE	78,000	59,180	43,150	29,920	18,830
BD*2200L6	4DJNF76KE	89,910	68,740	51,650	37,180	23,760

NOTES:

* = T for Outdoor, N for Indoor, S for IntelliGen™/Beacon II™

Consult factory on all models for application above 110F ambient

¹ R407C not available in 575/3/60

PERFORMANCE DATA

Discus Compressors - Low Temperature Application - R448A/R449A - Demand Cooling is required for all applications

Model	Compressor	Capacity BTUH @ 90°F Ambient Suction Temperature				
		0°F	-10°F	-20°F	-30°F	-40°F
BD*0300L6	2DF3F16KE	29,550	22,360	16,600	12,020	8,260
BD*0400L6	2DL3F20KE	34,150	26,490	19,700	14,040	9,720
BD*0600L6	2DB3F25KE	40,760	31,740	24,090	17,590	11,610
BD*0601L6	3DA3F28KE	45,660	35,530	26,850	19,820	14,490
BD*0750L6	3DB3F33KE	54,580	43,020	33,090	24,750	17,340
BD*0900L6	3DF3F40KE	71,130	54,890	41,380	30,310	21,160
BD*1000L6	3DS3F46KE	76,710	59,360	44,790	32,840	22,910
BD*1200L6	4DBNF54KE ⁵	93,640	73,070	54,700	39,300	27,090
BD*1500L6	4DHNF63KE	105,260	83,710	64,220	47,840	35,090
BD*2200L6	4DJNF76KE	128,480	100,480	77,000	56,810	37,610

Model	Compressor	Capacity BTUH @ 95°F Ambient Suction Temperature				
		0°F	-10°F	-20°F	-30°F	-40°F
BD*0300L6	2DF3F16KE	28,290	21,330	15,780	11,330	7,660
BD*0400L6	2DL3F20KE	32,710	25,310	18,760	13,280	9,110
BD*0600L6	2DB3F25KE	39,140	30,400	22,950	16,630	10,800
BD*0601L6	3DA3F28KE	43,600	33,830	25,380	18,590	13,400
BD*0750L6	3DB3F33KE	52,320	41,070	31,370	23,220	15,960
BD*0900L6	3DF3F40KE	68,110	52,370	39,230	28,410	19,370
BD*1000L6	3DS3F46KE	73,390	56,560	42,420	30,760	20,950
BD*1200L6	4DBNF54KE ⁵	89,620	69,740	51,970	36,930	24,950
BD*1500L6	4DHNF63KE	100,790	80,080	61,220	45,360	32,960
BD*2200L6	4DJNF76KE	123,000	95,860	72,960	53,220	34,360

Model	Compressor	Capacity BTUH @ 100°F Ambient Suction Temperature				
		0°F	-10°F	-20°F	-30°F	-40°F
BD*0300L6	2DF3F16KE	27,010	20,300	14,960	10,650	7,060
BD*0400L6	2DL3F20KE	31,220	24,100	17,800	12,520	8,520
BD*0600L6	2DB3F25KE	37,470	29,040	21,820	15,680	10,010
BD*0601L6	3DA3F28KE	41,530	32,110	23,920	17,350	12,300
BD*0750L6	3DB3F33KE	50,020	39,100	29,630	21,670	14,540
BD*0900L6	3DF3F40KE	65,070	49,820	37,060	26,480	17,570
BD*1000L6	3DS3F46KE	70,070	53,860	40,090	28,650	18,990
BD*1200L6	4DBNF54KE ⁵	85,560	66,270	49,090	34,440	22,660
BD*1500L6	4DHNF63KE	96,280	76,390	58,170	42,820	30,780
BD*2200L6	4DJNF76KE	117,490	91,210	68,890	49,570	30,960

Model	Compressor	Capacity BTUH @ 110°F Ambient Suction Temperature				
		0°F	-10°F	-20°F	-30°F	-40°F
BD*0300L6	2DF3F16KE	24,410	18,300	13,350	9,320	5,900
BD*0400L6	2DL3F20KE	28,120	21,620	15,860	11,020	7,390
BD*0600L6	2DB3F25KE	34,100	26,230	19,560	13,830	8,520
BD*0601L6	3DA3F28KE	-	28,690	21,030	14,850	10,050
BD*0750L6	3DB3F33KE	-	35,100	26,120	18,510	11,700
BD*0900L6	3DF3F40KE	58,880	44,680	32,660	22,560	13,940
BD*1000L6	3DS3F46KE	63,260	48,180	35,270	24,360	15,020
BD*1200L6	4DBNF54KE ⁵	77,030	59,130	42,990	29,140	17,850
BD*1500L6	4DHNF63KE	87,200	68,800	51,950	37,630	26,260
BD*2200L6	4DJNF76KE	106,470	81,860	60,680	42,240	24,270

NOTES:

* = T for Outdoor, N for Indoor, S for IntelliGen™/Beacon II™

Consult factory on all models for application above 110F ambient

ELECTRICAL DATA

Discus Compressor Models - Medium Temperature

Model	Voltage Supply†			Compressor		Condenser Fan Motor			intelliGen™/ Beacon II™		Low Amps^				High Amps^			
											Electric Defrost		Def. Htr.‡	Evap. Fan	Electric Defrost		Def. Htr.‡	Evap. Fan
	Volts	Ph	Hz†	RLA	LRA	Qty	HP	FLA	MCA	MOPD	MCA	MOPD	Amps	Amps	MCA	MOPD	Amps	Amps
BD*0500M6C	208-230	3	60	20	120	1	1/3	2.7	27.7	45	—	—	—	—	50	60	40 (1)	15
BD*0500M6D	460	3	60	9.4	60	1	1/3	1.9	15	20	—	—	—	—	25	30	20 (1)	8
BD*0500M6E	575	3	60	6.9	49	1	1/3	1.2	15	15	—	—	—	—	20	20	16 (1)	6.4
BD*0501M6C	208-230	3	60	20	120	1	1/3	2.7	27.7	45	—	—	—	—	50	60	40 (1)	15
BD*0501M6D	460	3	60	9.4	60	1	1/3	1.9	15	20	—	—	—	—	25	30	20 (1)	8
BD*0501M6E	575	3	60	7.1	49	1	1/3	1.2	15	15	—	—	—	—	20	20	16 (1)	6.4
BD*0750M6C	208-230	3	60	28.3	169	1	1/3	2.7	38.1	60	—	—	—	—	60	80	48 (1)	20
BD*0750M6D	460	3	60	12.4	85	1	1/3	1.9	20	25	—	—	—	—	31.3	35	25 (1)	10
BD*0750M6E	575	3	60	11.9	67	1	1/3	1.2	20	25	—	—	—	—	25	35	20 (1)	8
BD*0751M6C	208-230	3	60	28.7	169	2	1/3	5.4	41.3	70	—	—	—	—	61.3	90	48 (1)	20
BD*0751M6D	460	3	60	12.6	85	2	1/3	3.8	20	30	—	—	—	—	31.3	40	25 (1)	10
BD*0751M6E	575	3	60	11.9	67	2	1/3	2.4	20	25	—	—	—	—	25.3	35	20 (1)	8
BD*0800M6C	208-230	3	60	36.8	215	2	1/3	5.4	51.4	80	—	—	—	—	87.5	100	70 (2)	20
BD*0800M6D	460	3	60	17.9	106	2	1/3	3.8	26.2	40	—	—	—	—	43.8	50	35 (1)	13
BD*0800M6E	575	3	60	14.7	84	2	1/3	2.4	20.8	35	—	—	—	—	35	45	28 (1)	10.4
BD*1000M6C	208-230	3	60	39.1	215	2	1/3	5.4	54.3	90	—	—	—	—	87.5	110	70 (2)	20
BD*1000M6D	460	3	60	17.9	106	2	1/3	3.8	26.2	40	—	—	—	—	43.8	50	35 (1)	13
BD*1000M6E	575	3	60	14.8	84	2	1/3	2.4	20.9	35	—	—	—	—	35	45	28 (1)	10.4
BD*1200M6C	208-230	3	60	43.2	275	2	1/3	5.4	59.4	100	—	—	—	—	87.5	110	70 (2)	20
BD*1200M6D	460	3	60	21.2	138	2	1/3	3.8	30.2	50	—	—	—	—	43.8	60	35 (1)	13
BD*1500M6C	208-230	3	60	53.5	275	2	3/4	8.8	75.7	125	90.7	125	70 (2)	15	100	125	80 (2)	20
BD*1500M6D	460	3	60	26	138	2	3/4	4.4	36.9	60	51.9	70	40 (1)	15	75	80	60 (2)	15
BD*1500M6E	575	3	60	21.2	110	2	3/4	3.6	30	50	42	60	32 (1)	12	60	60	48 (1)	12

Discus Compressor Models - Low Temperature

Model	Voltage Supply†			Compressor		Condenser Fan Motor			intelliGen™/ Beacon II™		Low Amps^				High Amps^			
											Electric Defrost		Def. Htr.‡	Evap. Fan	Electric Defrost		Def. Htr.‡	Evap. Fan
	Volts	Ph	Hz†	RLA	LRA	Qty	HP	FLA	MCA	MOPD	MCA	MOPD	Amps	Amps	MCA	MOPD	Amps	Amps
BD*0300L6C	208-230	3	60	14.4	102	1	1/3	2.7	20.6	35	—	—	—	—	50	50	40 (1)	15
BD*0300L6D	460	3	60	7.1	52	1	1/3	1.9	15	15	—	—	—	—	25	25	20 (1)	8
BD*0300L6E	575	3	60	6	41	1	1/3	1.2	15	15	—	—	—	—	20	20	16 (1)	6.4
BD*0400L6C	208-230	3	60	23.6	161	1	1/3	2.7	32.2	50	—	—	—	—	60	70	48 (1)	15
BD*0400L6D	460	3	60	9.2	60	1	1/3	1.9	15	20	—	—	—	—	31.3	35	25 (1)	8
BD*0400L6E	575	3	60	6.9	49	1	1/3	1.2	15	15	—	—	—	—	25	25	20 (1)	6.4
BD*0600L6C	208-230	3	60	25.3	161	1	1/3	2.7	34.4	50	—	—	—	—	75	80	60 (2)	20
BD*0600L6D	460	3	60	11.9	80	1	1/3	1.9	20	25	—	—	—	—	37.5	40	30 (1)	10
BD*0600L6E	575	3	60	8.6	63	1	1/3	1.2	15	20	—	—	—	—	30	30	24 (1)	8
BD*0601L6C	208-230	3	60	24	150	1	1/3	2.7	32.7	50	—	—	—	—	75	80	60 (2)	20
BD*0601L6D	460	3	60	10.8	77	1	1/3	1.9	20	25	—	—	—	—	37.5	40	30 (1)	10
BD*0601L6E	575	3	60	9.4	62	1	1/3	1.2	15	20	—	—	—	—	30	30	24 (1)	8
BD*0750L6C	208-230	3	60	27.6	161	1	1/3	2.7	37.2	60	—	—	—	—	75	80	60 (2)	20
BD*0750L6D	460	3	60	14.1	83	1	1/3	1.9	20	30	—	—	—	—	37.5	40	30 (1)	10
BD*0750L6E	575	3	60	9.9	67	1	1/3	1.2	15	20	—	—	—	—	30	30	24 (1)	8
BD*0900L6C	208-230	3	60	33.2	215	2	1/3	5.4	46.9	80	—	—	—	—	87.5	100	70 (2)	20
BD*0900L6D	460	3	60	15	106	2	1/3	3.8	22.6	35	—	—	—	—	43.8	50	35 (1)	13
BD*0900L6E	575	3	60	14.1	84	2	1/3	2.4	20	30	—	—	—	—	35	40	28 (1)	10.4
BD*1000L6C	208-230	3	60	37.2	215	2	1/3	5.4	51.9	80	—	—	—	—	87.5	100	70 (2)	20
BD*1000L6D	460	3	60	16.7	106	2	1/3	3.8	24.6	40	—	—	—	—	43.8	50	35 (1)	13
BD*1000L6E	575	3	60	14.6	84	2	1/3	2.4	20.6	35	—	—	—	—	35	45	28 (1)	10.4
BD*1200L6C	208-230	3	60	46	220	2	3/4	8.8	66.3	110	81.3	125	40 (1)	15	87.5	125	70 (2)	20
BD*1200L6D	460	3	60	23	110	2	3/4	4.4	33.2	50	48.2	70	25 (1)	15	50	70	40 (1)	15
BD*1200L6E ⁵	575	3	60	15.6	106	2	3/4	3.6	23.1	35	35.1	50	20 (1)	12	40	50	32 (1)	12
BD*1500L6C	208-230	3	60	47.2	278	2	3/4	8.8	67.8	110	82.8	125	48 (1)	15	92.8	125	70 (2)	25
BD*1500L6D	460	3	60	23.6	139	2	3/4	4.4	33.9	50	48.9	70	25 (1)	15	50	70	40 (1)	15
BD*1500L6E	575	3	60	18.8	113	2	3/4	3.6	27.1	45	39.1	50	20 (1)	12	40	50	32 (1)	12
BD*2200L6C	208-230	3	60	57.7	278	2	3/4	8.8	80.9	125	95.9	150	48 (1)	15	105.9	150	70 (2)	25
BD*2200L6D	460	3	60	28.8	139	2	3/4	4.4	40.5	60	55.5	80	25 (1)	15	60	80	48 (1)	15
BD*2200L6E	575	3	60	21.7	113	2	3/4	3.6	30.7	50	42.7	60	20 (1)	12	47.5	60	38 (1)	12

* = T for Outdoor, N for Indoor, S for IntelliGen™/Beacon II™

† = Consult factory for 50Hz applications

‡ = Number of defrost heater contactors in parentheses

^ = Two fan large units have ability for a reduced amp electric defrost kit (low amps). Confirm proper defrost kit prior to ordering or installing.

⁵ R407C not available in 575/3/60.

UNIT SPECIFICATIONS

Discus Compressors - Medium Temperature

Model	Compressor Model	HP	Refrigerant Line Connections (OD)		Rec. Capacity @90% full (lbs)		Dimensions (inches)			Sound Data (dba) [†]	Net Wt. (lbs.)
			Liquid	Suction	Std	Opt	Length	Width	Height		
BD*0500M6	2DC3R53KE	5.0	1/2	1-1/8	28	52	36-3/4	51-3/4	39-1/4	78	751
BD*0501M6	2DD3R63KE	5.0	1/2	1-1/8	28	52	36-3/4	51-3/4	39-1/4	78	751
BD*0750M6	2DL3R78KE	7.5	1/2	1-1/8	28	52	36-3/4	51-3/4	39-1/4	78	761
BD*0751M6	2DA3R89KE	7.5	5/8	1-3/8	67	78	36-3/4	63-3/4	39-1/4	82	985
BD*0800M6	3DA3R10ME	8.0	5/8	1-3/8	67	78	36-3/4	63-3/4	39-1/4	82	1,020
BD*1000M6	3DB3R12ME	10.0	5/8	1-3/8	67	78	36-3/4	63-3/4	39-1/4	82	1,045
BD*1200M6	3DF3R15ME	12.0	5/8	1-3/8	67	78	36-3/4	63-3/4	39-1/4	82	1,065
BD*1500M6	3DS3R17ME	15.0	7/8	1-5/8	87	98	41-3/4	75-1/8	48-3/4	81	1,182

Discus Compressors - Low Temperature

Model	Compressor Model	HP	Refrigerant Line Connections (OD)		Rec. Capacity @90% full (lbs)		Dimensions (inches)			Sound Data (dba) [†]	Net Wt. (lbs.)
			Liquid	Suction	Std	Opt	Length	Width	Height		
BD*0300L6	2DF3F16KE	3.0	1/2	1-1/8	28	52	36-3/4	51-3/4	39-1/4	78	737
BD*0400L6	2DL3F20KE	4.0	1/2	1-1/8	28	52	36-3/4	51-3/4	39-1/4	78	741
BD*0600L6	2DB3F25KE	6.0	1/2	1-1/8	28	52	36-3/4	51-3/4	39-1/4	78	751
BD*0601L6	3DA3F28KE	6.0	1/2	1-1/8	28	52	36-3/4	51-3/4	39-1/4	81	781
BD*0750L6	3DB3F33KE	7.5	1/2	1-1/8	28	52	36-3/4	51-3/4	39-1/4	81	805
BD*0900L6	3DF3F40KE	9.0	5/8	1-3/8	67	78	36-3/4	63-3/4	39-1/4	82	1,030
BD*1000L6	3DS3F46KE	10.0	5/8	1-3/8	67	78	36-3/4	63-3/4	39-1/4	82	1,035
BD*1200L6	4DBNF54KE	12.0	7/8	1-5/8	67	87	41-3/4	75-1/8	48-3/4	82	1,199
BD*1500L6	4DHNF63KE	15.0	7/8	1-5/8	67	87	41-3/4	75-1/8	48-3/4	82	1,234
BD*2200L6	4DJNF76KE	22.0	7/8	1-5/8	87	98	41-3/4	75-1/8	48-3/4	82	1,224

* = T for Outdoor, N for Indoor, S for IntelliGen™/Beacon II™

† FOR ALL SOUND DATA: Estimate sound pressure values are 5 feet from the unit. For estimating sound pressure from unit at different distances, deduct the following from the unit values: 10 feet deducts 6 dba, 20 feet deducts 12 dba, 40 feet deducts 18 dba. This data is typical of "free field" conditions for horizontal air cooled condensing units at the outlet of the discharge air. The actual sound measurements may vary depending on the condensing unit installation. Factors such as reflecting walls, background noise, and mounting conditions may have a significant influence on this data.

AWEF Values: Medium/High Temperature Condensing Units - Cooler Application

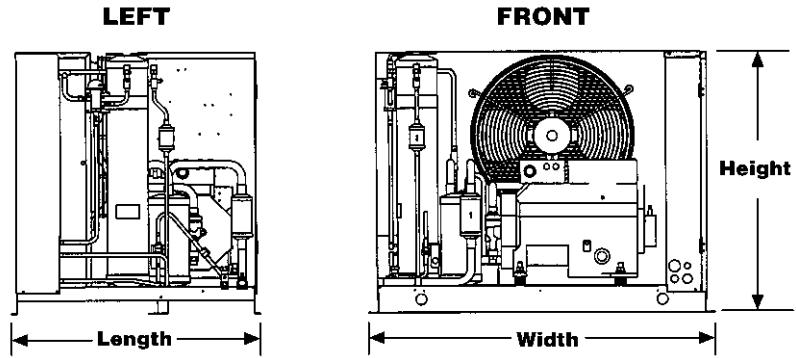
Model	Indoor				Outdoor / IntelliGen™/Beacon II™			
	R404A/R507A	R407A	R407C	R448A/R449A	R404A/R507A	R407A	R407C	R448A/R449A
BD*0500M6	6.40	6.43	6.68	6.62	9.83	9.33	9.20	9.53
BD*0501M6	6.33	6.23	6.65	6.66	9.75	9.14	9.26	9.53
BD*0750M6	5.80	5.88	6.27	6.05	9.02	8.85	8.93	9.15
BD*0751M6	6.50	6.46	6.74	6.66	9.83	9.28	9.20	9.48
BD*0800M6	6.48	6.48	6.80	6.73	10.11	9.43	9.35	9.63
BD*1000M6	6.09	6.24	6.63	6.51	9.43	9.25	9.29	9.49
BD*1200M6	5.64	5.86	6.19	6.13	8.71	8.95	8.83	9.22
BD*1500M6	6.01	6.19	6.47	6.47	9.19	9.11	9.00	9.38

These refrigeration systems are designed and certified for use in walk-in cooler applications.

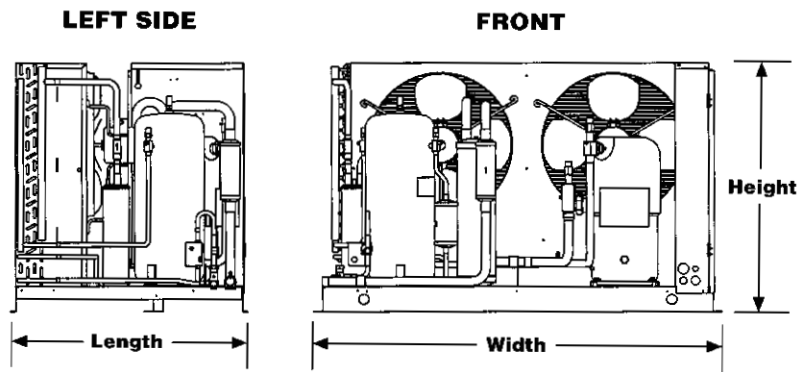
* T = Outdoors, N = Indoors, S = IntelliGen™/Beacon II™

DIMENSIONAL DIAGRAMS

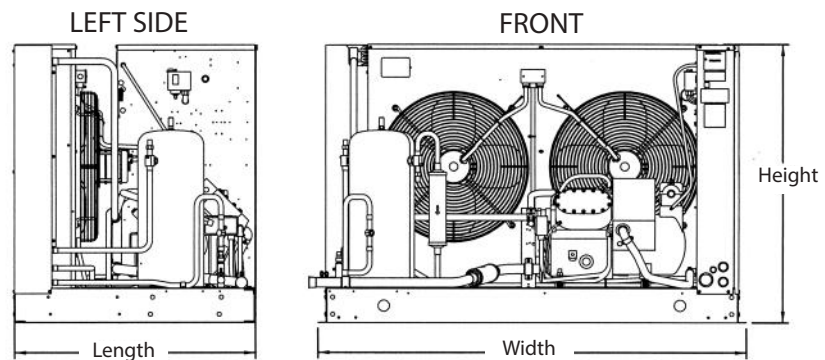
One Fan Condenser



Two Fan Condenser



Large Two Fan Condenser



NOTES:

NOTES:



For more information on Bohn refrigeration products, contact your sales representative or visit us at heatcraftprd.com.

BOHN

A Brand of Heatcraft Refrigeration Products LLC
2175 West Park Place Blvd. • Stone Mountain, GA • 30087
(800) 537-7775
heatcraftprd.com