



Air-Cooled Condensing Units with Bitzer Compressors

Technical Guide

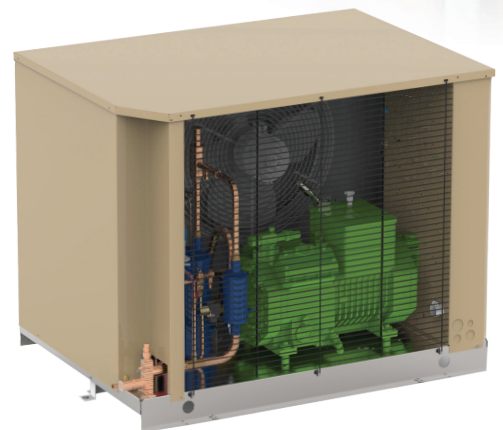
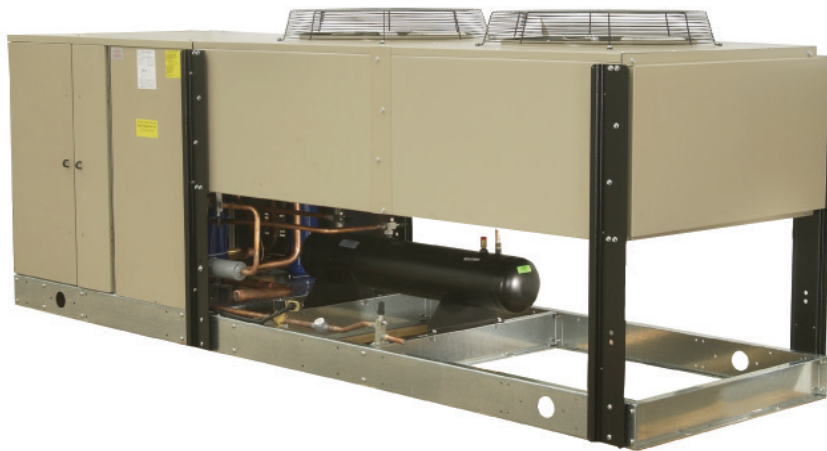


Table of Contents

Floating Tube™ Coil	3
Beacon II™ Options	4
Adjustable Head Pressure Control	5
Bitzer Features & Benefits.....	6-7
Single Compressor Models	
Horizontal Air Discharge Condensing Units 4-13 HP	8-19
Standard /Optional / Factory-Installed Options	8
Nomenclature.....	8
Medium Temperature.....	9-12
R-404A/R-507	9
R-407A/R-407F	10
R-407C.....	11
R-448A/R-449A	12
Low Temperature	13-16
R-404A/R-507	13
R-407A/R-407F	14
R-407C.....	15
R-448A/R-449A	16
Electrical Data	17-18
208-230 / 460 Volts	17
575 Volts.....	18
Unit Specifications.....	19
Single Compressor Models	
Vertical Air Discharge Condensing Units 13-50 HP	20-31
Standard /Optional / Factory-Installed Options	20
Nomenclature.....	20
Medium Temperature.....	21-24
R-404A/R-507	21
R-407A/R-407F	22
R-407C.....	23
R-448A/R-449A	24
Low Temperature	25-28
R-404A/R-507	25
R-407A/R-407F	26
R-407C.....	27
R-448A/R-449A	28
Electrical Data	29-30
208-230 / 460 Volts	29
575 Volts.....	30
Unit Specifications.....	31
Dual Compressor Models	
Vertical Air Discharge Condensing Units 26-100 HP	32-43
Standard /Optional / Factory-Installed Options	32
Nomenclature	32
Medium Temperature.....	33-36
R-404A/R-507	33
R-407A/R-407F	34
R-407C.....	35
R-448A/R-449A	36
Low Temperature	37-40
R-404A/R-507	37
R-407A/R-407F	38
R-407C.....	39
R-448A/R-449A	40
Electrical Data	41-42
208-230 / 460 Volts	41
575 Volts.....	42
Unit Specifications.....	43

Single and Dual Compressor Condensing Units Feature Our Floating Tube Coil Design

Expanded (Locked) Auxiliary Tubes:

These tubes support the coil with fins and refrigerant carrying tubes. They do not carry refrigerant and are tightly fitted on end supports and center supports.

Free Floating Circuited Coil Tubes:

These tubes carry refrigerant and never touch the sheet metal end supports or center supports.



All units include a limited
Five Year Warranty
against condenser leaks at tube sheets
and center supports.

All condensers use the Floating Tube™ coil design to eliminate refrigerant leaks at the tube sheets. Additional tubes are added to the condenser coil. These tubes are expanded into the aluminum fins and condenser tube sheets. These anchor tubes support the weight of the coil, but are not a part of the refrigerant circuit.

The tubes in the refrigerant circuit are expanded into the fins, but “float” through oversized holes in the tube sheets. Tube sheet leaks are virtually eliminated, since the tubes which carry refrigerant never come in contact with the tube sheet.

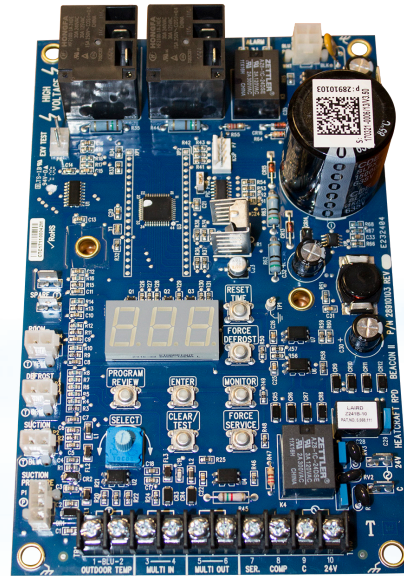
Beacon II™

REFRIGERATION SYSTEM

Beacon II™ Refrigeration System is the next generation of Heatcraft's patented, preassembled, factory installed refrigeration system featuring an integrated microcomputer-based electronic control board. The Beacon II™ systems come completely factory installed, wired and tested saving you time and money.

Beacon II™ offers:

- Complete factory installation, wiring and testing which saves time and money!
- Simplified field electrical connections and 24 volt wiring between condensing and evaporator coil.
- Preset factory superheat allowing the system to run more efficiently and reducing future adjustments.
- Monitors and controls box temperature, evaporator superheat, system status and defrost.
- Monitor and make system changes remotely via internet and exclusive Beacon II™ Smart Controller.
- Data logging capabilities with Smart Controller.



Beacon II™ Smart Controller

Beacon II™ Smart Controller is an optional system monitoring and programming control device. It allows for adjustments to be made at the push of a button from a conveniently mounted location. Beacon II™ Smart Controller also allows you to monitor and make changes to the refrigeration system via internet connection from anywhere in the world via the optional Heatcraft Remote Refrigeration Control (RRC) feature. One Smart Controller can program and control up to four condensing units with up to four evaporators on each system. That's more control in your hands!

Beacon II™ Smart Defrost

Beacon II™ Smart Defrost The Beacon II™ Smart Defrost, available only on the Beacon II™ Smart Controller, enables the Beacon II™ system to sense frost accumulation and initiates defrost only when it is necessary. To begin, preset defrost times using the Beacon II™ Smart Controller. At each scheduled defrost time, Smart Defrost checks system performance to see if a defrost is necessary. If not, it simply does not defrost, waiting until the next scheduled defrost time.

Smart Defrost Kit

Smart Defrost Kit™ The factory installed Smart Defrost Kit (SDK) skips unnecessary defrosts in commercial, electric defrost walk-in refrigeration systems saving energy, reducing costs and ultimately improving product integrity. The SDK is available as a factory-installed option on all condensing units.

ADJUSTABLE HEAD PRESSURE CONTROL FOR VERTICAL AIR DISCHARGE CONDENSING UNITS

The Need For Head Pressure Control

Refrigeration condensing units must efficiently perform at varying ambient conditions. A properly sized unit will adequately perform at even the highest summer ambient temperatures. However, in situations where the system must operate the majority of the time at less than design temperature, a means of providing adequate head pressure for refrigerant flow is desirable. The LDV & LDD units have an adjustable head pressure method of head pressure control.

Resource II is Larkin's most energy efficient low ambient head pressure control. This system provides year round control of refrigerant head pressure without the use of special refrigerant expansion valves.

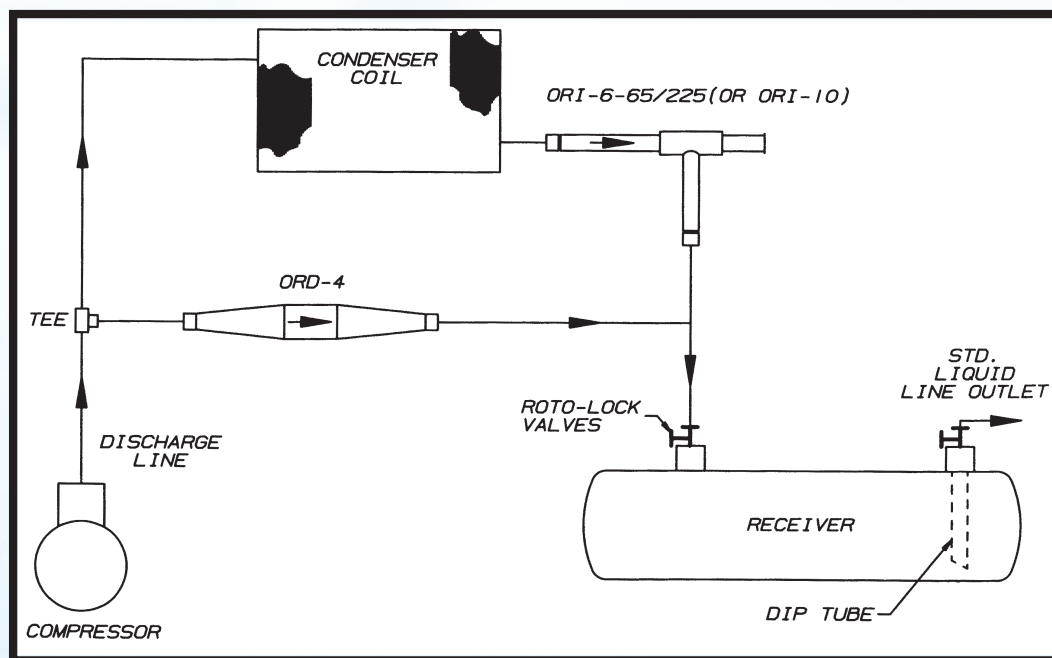
The Larkin Adjustable Head Pressure Control System

The Adjustable Head Pressure system is a factory assembled system utilizing an adjustable head pressure control to maintain a constant head pressure at the air-cooled condensing unit during all climatic conditions when the ambient temperature drops below 75°F (typical). When the ambient is above 75°F, the condenser pressure

is above the adjustable head pressure valve setting and therefore, the valve remains in the full open position.

As the temperature drops below 75°F, the pressure at the condenser also drops below the setting of the adjustable head pressure valve. The adjustable head pressure valve, sensing the reduction in condensing pressure, modulates toward the closed position, thus restricting the flow of liquid from the condenser. The liquid backs up into the condenser and floods a portion of the tubes, reducing the overall capacity of the condenser. The adjustable head pressure valve will continue to flood the condenser until the pressure setting has been reached, providing proper head pressure at all ambient temperatures.

While the condenser floods, a second line pressurizes the receiver through another valve; therefore, the refrigerant flow from the condenser to the receiver modulates with conditions. However, the bypass from the discharge line maintains a minimum receiver pressure. These valves are adjustable and the minimum receiver pressure may be reset higher or lower depending upon application situations of a particular job. The Adjustable Head Pressure Control system uses this two-valve, adjustable design.



Features & Benefits



BITZER Compressors

BITZER is the world's largest independent manufacturer of commercial A/C and refrigeration compressors. Founded in Germany in 1934, BITZER manufactures semi-hermetic, reciprocating, screw and scroll compressors as well as pressure vessels. BITZER's U.S. subsidiary operates two plants in GA. and one plant in NY.

BITZER's Quickship program provides 24/7 replacement service from regional distribution warehouses located in Newark, Atlanta, Miami, Dallas, Chicago, Denver, Seattle, San Francisco and Los Angeles. Call 1-888-GO BITZER (888-462-4893)

BITZER ECOLINE COMPRESSORS Offer...

- High Efficiency
- Unloader Heads Standard on All 4 & 6-cylinder Models
- Dual Voltage Control Modules on All Models
- Dual Voltage Compressors (6 to 50 HP)
- Superior Lubrication and Low Oil Circulation Rates
- German Engineering / Built in America

ECOLINE Standard Execution	Octagon CE3-4 Models	BE5-6 Models
POE Oil Charge	✓	✓
Protective Dry-Nitrogen Charge	✓	✓
Suction & Discharge Service Valves	✓	✓
Dual Voltage INT Protection Modules	✓	✓
Terminal Box Enclosure Class IP65 (BE5-6 / IP 54)	✓	✓
Unloader Heads	✓	✓
Centrifugal Oil System	✓	
Conventional Oil Pump		✓
BITZER Options	CE3-4	BE5-6
Mounting Hardware (Spring Kits)	✓	✓
Hard Mount Kits	✓	✓
Optical Oil Sensor	✓	
Crankcase Heaters	✓	✓
Unloader Stems / Coils	✓	✓
Head Fans and Brackets	✓	✓
Delta P II Differential Oil Pres. Switch		

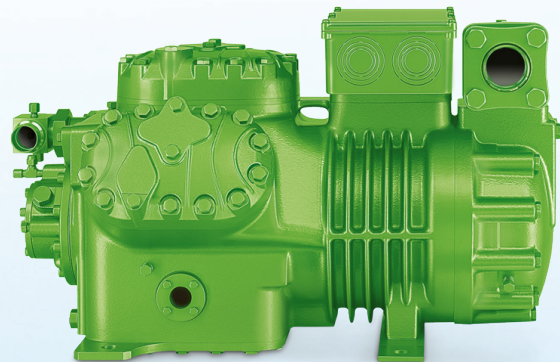


ECOLINE Heads

BITZER ECOLINE heads are designed for low pressure drop, and both valve plates and pistons are designed to reduce clearance and increase efficiency.

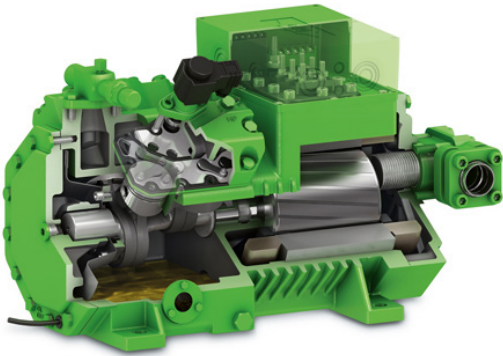
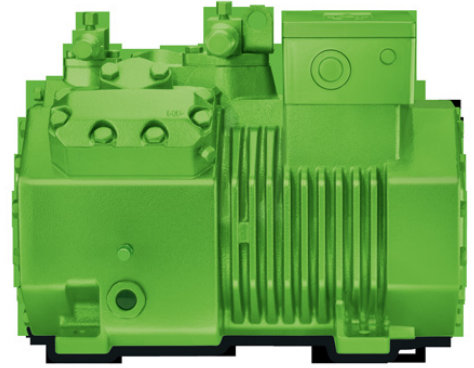
BITZER Quiet!

BITZER compressors are famous for their low sound levels. Capacities are changed within a frame size by changing the bore diameters rather than the length of the piston strokes. This gives BITZER compressors an unsurpassed balance and precision that translates to low decibels.



BITZER ECOLINE CE3 – CE4 Models...

...are rated from 3 to 20 HP. This rugged, compact series utilizes wear resistant drive gear with PTFE coated bearings for especially low friction, aluminum pistons of optimized geometry, connecting rods with eccentric straps and generously dimensioned bearing surfaces. BITZER's centrifugal lubrication system eliminates the need for an oil pump and provides optimum oil supply to the compressor even under extreme operating conditions.



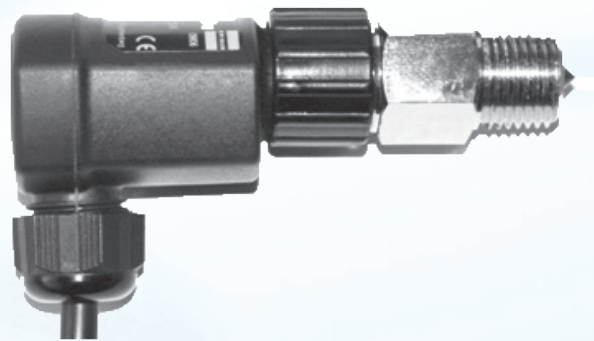
Centrifugal Lubrication

The centrifugal lubrication design employs a solid metal disc mounted to the crankshaft (see cut-away) that distributes oil into a reservoir at the end of the shaft. The oil then flows through the shaft to the bearing surfaces.

BITZER offers an optional Optical Oil Sensor (See OLC-K1 photo below) that mounts to the outer cover of the compressor and monitors oil level by means of an infrared light.

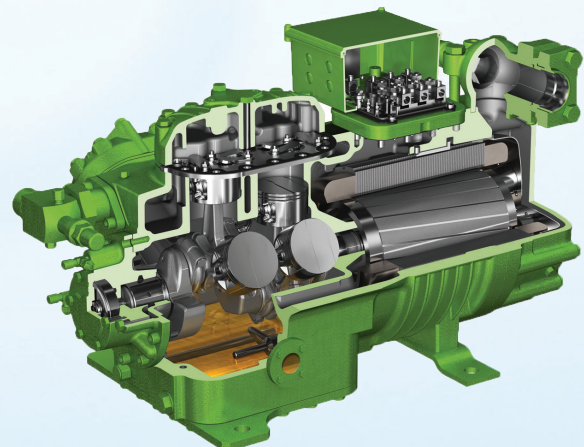
OLC-K1 Operating Principle

The OLC-K1 sensing device shines an infrared light into the oil reservoir. If oil is present, the light is absorbed and the compressor runs normally. If no oil is present, the light reflects on the sensor, and the compressor shuts off.



BITZER BE5 & BE6 Models

BITZER BE5 through BE6 models are rated from 22 to 50 HP. This series features surface hardened crank shafts, low friction bearings, aluminum pistons, hard chrome plated piston rings and special wrist pin bearings. The BE5 & BE6 models have a sealed main bearing and generously sized oil pump. BITZER's patented oil return system ensures complete lubrication while reducing oil circulation into the system. Efficient capacity control is provided by unloader banks that can significantly reduce energy consumption.

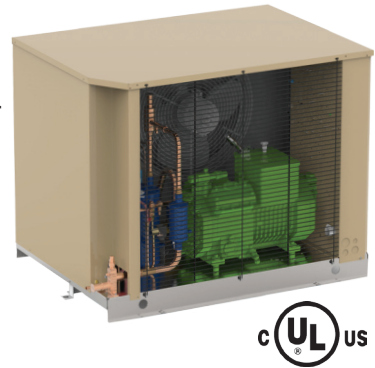


Standard and Optional Features

- Floating Tube™ coil design
- Rifled copper condenser tubing
- Designed for use with R-404A, R-507, R-407A, R-407C, R-407F, R-448A and R-449A
- Prebent copper tubes minimize welded joints on internal piping
- Fixed high and adjustable low pressure controls
- Oil safety control
- Head pressure control valve
- Bitzer compressors with POE oil
- Spring mounted compressor with suction and discharge vibration eliminators
- Crankcase heater
- Thermally protected, permanently lubricated ball bearing condenser fan motors
- Separate subcooling circuit in condenser for added capacity and vapor-free liquid
- Pressure relief valve on receiver
- Sealed liquid line filter drier and sight glass
- Electrical controls, including compressor contactor and optional defrost control, are located in easily accessible control box with a hinged cover
- Service Mate™ module to assist troubleshooting
- Pumpdown Switch
- Cabinet is constructed from prepainted galvanized steel
- Base valve and high & low pressure taps on outside of unit
- Vertical receivers

Factory-Installed Options

- Oversized receiver
- Replaceable core liquid filter drier
- Liquid line solenoid valve
- Suction filter
- Replaceable core suction filter
- Suction accumulator
- Oil separator
- Air defrost timer
- Electric defrost kits, including timer, evaporator fan contactor with fusing, defrost heater contactor(s), lockout relay and terminal strip
- Fusing for defrost kits
- Low ambient kit with heated and insulated receiver with time delay
- Fused disconnect switch
- Non-fused disconnect switch
- Phase-loss monitor
- Manual-reset high pressure switch
- Anti-short cycle timer
- Compressor circuit breakers
- Condenser fan cycling
- Coated condenser coils
- Copper finned coil
- Beacon II™ compatible
- Hail guards (shipped loose)
- Compressor unloading
- NEMA contactors
- 12" extended legs for snowbelt region (shipped loose)
- Slanted louver for snowbelt regions (shipped loose)
- Dual pressure control



Nomenclature

L	B	T	1401	L	6	C
Brand	Compressor	Application	Horsepower	Temperature	Refrigerant	Voltage
L = Larkin	B = Bitzer	T = Outdoor	0401 - 4	M = Med. Temp	6 = R-404A, R-507	C = 208-230/3/60
		N = Indoor	0551 - 5	L = Low Temp	R-407A	D = 460/3/60
		S = Beacon II™	0601 - 6		R-407C	E = 575/3/60
			0611 - 6		R-407F	
			0751 - 7.5		R-448A	
			0901 - 9		R-449A	
			1001 - 10			
			1201 - 12			
			1301 - 13			

PERFORMANCE DATA: HORIZONTAL AIR DISCHARGE CONDENSING UNIT

Medium Temperature R-404A/R-507

Model	Compressor	Capacity BTUH @ 90°F Ambient by SST					
		40°F	30°F	25°F	20°F	15°F	5°F
LB*0551M6	4EES-6	83,240	70,550	64,330	58,510	52,960	42,890
LB*0751M6	4DES-7	99,170	84,120	77,040	69,990	63,460	51,540
LB*0901M6	4CES-9	126,090	106,110	96,460	87,440	78,920	63,560
LB*1001M6	4VES-10	131,400	110,460	100,240	90,580	81,480	65,120

Model	Compressor	Capacity BTUH @ 95°F Ambient by SST					
		40°F	30°F	25°F	20°F	15°F	5°F
LB*0551M6	4EES-6	78,910	66,990	61,080	55,570	50,390	40,760
LB*0751M6	4DES-7	94,200	79,990	73,260	66,660	60,370	49,050
LB*0901M6	4CES-9	120,140	101,150	91,970	83,360	75,300	60,530
LB*1001M6	4VES-10	124,820	104,930	95,150	86,000	77,450	61,740

Model	Compressor	Capacity BTUH @100°F Ambient by SST					
		40°F	30°F	25°F	20°F	15°F	5°F
LB*0551M6	4EES-6	74,670	63,360	57,850	52,680	47,710	38,610
LB*0751M6	4DES-7	89,200	75,810	69,390	63,150	57,250	46,530
LB*0901M6	4CES-9	114,090	96,120	87,580	79,240	71,580	57,490
LB*1001M6	4VES-10	118,190	99,350	90,260	81,440	73,320	58,370

Model	Compressor	Capacity BTUH @ 110°F Ambient by SST					
		40°F	30°F	25°F	20°F	15°F	5°F
LB*0551M6	4EES-6	66,040	56,040	51,280	46,680	42,320	34,250
LB*0751M6	4DES-7	79,100	67,420	61,790	56,150	51,060	41,440
LB*0901M6	4CES-9	101,810	85,980	78,230	71,000	64,080	51,370
LB*1001M6	4VES-10	104,820	88,150	80,010	72,410	65,080	51,630

NOTES:

*= T for Outdoors, N for Indoors, S for Beacon II™

PERFORMANCE DATA: HORIZONTAL AIR DISCHARGE CONDENSING UNIT

Medium Temperature R-407A/R-407F

Model	Compressor	Capacity BTUH @ 90°F Ambient by SST					
		40°F	30°F	25°F	20°F	15°F	5°F
LB*0551M6	4EES-6	85,290	70,350	63,390	56,910	50,870	40,150
LB*0751M6	4DES-7	99,640	82,310	74,160	66,630	59,480	46,930
LB*0901M6	4CES-9	126,700	104,140	93,810	84,080	75,120	59,230
LB*1001M6	4VES-10	130,800	107,240	96,410	86,280	76,850	60,090

Model	Compressor	Capacity BTUH @ 95°F Ambient by SST					
		40°F	30°F	25°F	20°F	15°F	5°F
LB*0551M6	4EES-6	81,690	67,390	60,640	54,440	48,680	38,310
LB*0751M6	4DES-7	95,420	78,770	70,860	63,620	56,810	44,740
LB*0901M6	4CES-9	121,560	99,890	89,930	80,570	71,910	56,610
LB*1001M6	4VES-10	125,190	102,630	92,100	82,370	73,360	57,150

Model	Compressor	Capacity BTUH @ 100°F Ambient by SST					
		40°F	30°F	25°F	20°F	15°F	5°F
LB*0551M6	4EES-6	78,160	64,410	58,050	52,020	46,430	36,470
LB*0751M6	4DES-7	91,220	75,250	67,700	60,700	54,160	42,560
LB*0901M6	4CES-9	116,330	95,620	86,100	77,030	68,720	54,000
LB*1001M6	4VES-10	119,520	97,890	87,930	78,440	69,780	54,210

Model	Compressor	Capacity BTUH @ 110°F Ambient by SST					
		40°F	30°F	25°F	20°F	15°F	5°F
LB*0551M6	4EES-6	71,070	58,430	52,550	47,040	41,990	32,820
LB*0751M6	4DES-7	82,810	68,210	61,410	54,880	48,970	38,240
LB*0901M6	4CES-9	106,210	87,050	78,280	70,020	62,430	48,820
LB*1001M6	4VES-10	108,130	88,410	79,230	70,680	62,680	48,380

NOTES:

*= T for Outdoors, N for Indoors, S for Beacon II™

HEAD FAN REQUIRED

PERFORMANCE DATA: HORIZONTAL AIR DISCHARGE CONDENSING UNIT

Medium Temperature R-407C

Model	Compressor	Capacity BTUH @ 90°F Ambient by SST					
		40°F	30°F	25°F	20°F	15°F	5°F
LB*0551M6	4EES-6	76,580	62,420	55,970	50,020	44,480	34,560
LB*0751M6	4DES-7	90,410	74,010	66,460	59,380	52,880	41,230
LB*0901M6	4CES-9	114,390	93,290	83,630	74,770	66,570	51,980
LB*1001M6	4VES-10	119,390	97,140	87,100	77,790	69,160	53,760

Model	Compressor	Capacity BTUH @ 95°F Ambient by SST					
		40°F	30°F	25°F	20°F	15°F	5°F
LB*0551M6	4EES-6	73,620	59,980	53,710	47,940	42,590	33,030
LB*0751M6	4DES-7	86,740	70,980	63,650	56,940	50,680	39,490
LB*0901M6	4CES-9	109,940	89,680	80,340	71,830	63,920	49,860
LB*1001M6	4VES-10	114,640	93,300	83,460	74,510	66,190	51,320

Model	Compressor	Capacity BTUH @100°F Ambient by SST					
		40°F	30°F	25°F	20°F	15°F	5°F
LB*0551M6	4EES-6	70,510	57,310	51,400	45,840	40,660	31,510
LB*0751M6	4DES-7	83,100	67,870	60,910	54,490	48,430	37,700
LB*0901M6	4CES-9	105,500	85,970	77,130	68,880	61,280	47,730
LB*1001M6	4VES-10	109,880	89,320	79,910	71,210	63,190	48,870

Model	Compressor	Capacity BTUH @ 110°F Ambient by SST					
		40°F	30°F	25°F	20°F	15°F	5°F
LB*0551M6	4EES-6	64,290	52,230	46,760	41,660	36,880	28,480
LB*0751M6	4DES-7	75,850	61,910	55,570	49,590	44,000	34,100
LB*0901M6	4CES-9	96,730	78,650	70,570	62,980	55,930	43,470
LB*1001M6	4VES-10	100,500	81,200	72,630	64,590	57,100	43,940

NOTES:

*= T for Outdoors, N for Indoors, S for Beacon II™

PERFORMANCE DATA: HORIZONTAL AIR DISCHARGE CONDENSING UNIT

Medium Temperature R-448A/R-449A

Model	Compressor	Capacity BTUH @ 90°F Ambient by SST					
		40°F	30°F	25°F	20°F	15°F	5°F
LB*0551M6	4EES-6	84,510	69,450	62,480	56,000	50,010	39,430
LB*0751M6	4DES-7	99,000	81,380	73,140	65,600	58,560	46,140
LB*0901M6	4CES-9	125,540	102,630	92,240	82,530	73,630	57,970
LB*1001M6	4VES-10	130,870	106,690	95,590	85,210	75,690	59,000

Model	Compressor	Capacity BTUH @ 95°F Ambient by SST					
		40°F	30°F	25°F	20°F	15°F	5°F
LB*0551M6	4EES-6	81,290	66,730	60,040	53,740	47,940	37,710
LB*0751M6	4DES-7	95,130	78,150	70,220	62,910	56,110	44,070
LB*0901M6	4CES-9	120,850	98,720	88,710	79,310	70,680	55,550
LB*1001M6	4VES-10	125,570	102,250	91,560	81,530	72,420	56,250

Model	Compressor	Capacity BTUH @100°F Ambient by SST					
		40°F	30°F	25°F	20°F	15°F	5°F
LB*0551M6	4EES-6	78,040	64,010	57,590	51,470	45,910	36,010
LB*0751M6	4DES-7	91,260	74,920	67,340	60,230	53,660	42,080
LB*0901M6	4CES-9	115,990	94,740	85,110	76,080	67,750	53,140
LB*1001M6	4VES-10	120,270	97,820	87,470	77,860	69,100	53,530

Model	Compressor	Capacity BTUH @ 110°F Ambient by SST					
		40°F	30°F	25°F	20°F	15°F	5°F
LB*0551M6	4EES-6	71,660	58,530	52,560	46,960	41,840	32,650
LB*0751M6	4DES-7	83,530	68,470	61,530	54,860	48,870	38,110
LB*0901M6	4CES-9	106,710	87,080	78,030	69,660	62,010	48,390
LB*1001M6	4VES-10	109,730	89,100	79,500	70,700	62,550	48,160

NOTES:

*= T for Outdoors, N for Indoors, S for Beacon II™

PERFORMANCE DATA: HORIZONTAL AIR DISCHARGE CONDENSING UNIT

Low Temperature R-404A/R-507

Model	Compressor	Capacity BTUH @ 90°F Ambient by SST					
		0°F	-10°F	-15°F	-20°F	-30°F	-40°F
LB*0401L6	4EES-4	35,240	28,450	25,310	22,320	17,080	12,540
LB*0551L6	4DES-5	41,690	33,620	29,900	26,480	20,280	14,920
LB*0601L6	4CES-6	52,190	41,540	36,760	32,300	24,410	17,720
LB*0611L6	4VES-7	52,520	41,320	36,300	31,610	23,270	16,270
LB*0751L6	4TES-9	63,980	50,700	44,810	39,270	29,390	20,980
LB*1001L6	4PES-12	71,670	56,480	49,720	43,340	31,950	22,330
LB*1201L6	4NES-14	90,180	71,120	62,570	54,670	40,690	28,970
LB*1301L6	4JE-15	103,170	82,520	72,900	64,130	48,240	34,510

Model	Compressor	Capacity BTUH @ 95°F Ambient by SST					
		0°F	-10°F	-15°F	-20°F	-30°F	-40°F
LB*0401L6	4EES-4	33,370	26,930	23,930	21,170	16,160	11,830
LB*0551L6	4DES-5	39,490	31,880	28,320	25,080	19,180	14,070
LB*0601L6	4CES-6	49,530	39,370	34,810	30,560	23,020	16,640
LB*0611L6	4VES-7	49,630	38,940	34,170	29,700	21,740	15,070
LB*0751L6	4TES-9	60,540	47,900	42,300	37,030	27,590	19,580
LB*1001L6	4PES-12	67,720	53,250	46,720	40,580	29,780	20,630
LB*1201L6	4NES-14	85,210	67,180	59,030	51,470	38,150	26,980
LB*1301L6	4JE-15	97,810	78,060	69,060	60,590	45,390	32,230

Model	Compressor	Capacity BTUH @ 100°F Ambient by SST					
		0°F	-10°F	-15°F	-20°F	-30°F	-40°F
LB*0401L6	4EES-4	31,470	25,400	22,580	19,980	15,230	11,100
LB*0551L6	4DES-5	37,290	30,070	26,780	23,670	18,080	13,220
LB*0601L6	4CES-6	46,860	37,180	32,880	28,830	21,640	15,580
LB*0611L6	4VES-7	46,750	36,650	32,070	27,770	20,230	13,880
LB*0751L6	4TES-9	57,030	45,190	39,810	34,790	25,800	18,180
LB*1001L6	4PES-12	63,580	49,930	43,730	37,880	27,630	18,960
LB*1201L6	4NES-14	80,430	63,210	55,380	48,230	35,630	25,020
LB*1301L6	4JE-15	92,440	73,650	65,120	56,970	42,500	29,980

Model	Compressor	Capacity BTUH @ 110°F Ambient by SST					
		0°F	-10°F	-15°F	-20°F	-30°F	-40°F
LB*0401L6	4EES-4	27,650	22,340	19,900	17,570	13,330	9,660
LB*0551L6	4DES-5	32,830	26,490	23,600	20,850	15,850	11,520
LB*0601L6	4CES-6	41,580	32,940	29,040	25,410	18,940	13,510
LB*0611L6	4VES-7	41,070	32,030	27,930	24,040	17,260	11,570
LB*0751L6	4TES-9	50,200	39,660	34,840	30,300	22,270	15,460
LB*1001L6	4PES-12	55,370	43,360	37,730	32,580	23,460	15,670
LB*1201L6	4NES-14	70,360	55,160	48,270	41,880	30,600	21,120
LB*1301L6	4JE-15	81,780	65,010	57,190	50,020	36,890	25,570

NOTES:

*= T for Outdoors, N for Indoors, S for Beacon II™

HEAD FAN REQUIRED

PERFORMANCE DATA: HORIZONTAL AIR DISCHARGE CONDENSING UNIT

Low Temperature R-407A/R-407F

Model	Compressor	Capacity BTUH @ 90°F Ambient by SST					
		0°F	-10°F	-15°F	-20°F	-30°F	-40°F
LB*0401L6	4EES-4	32,510	25,100	21,810	18,770	13,360	8,760
LB*0551L6	4DES-5	38,010	29,300	25,470	21,900	15,570	10,190
LB*0601L6	4CES-6	48,730	37,560	32,670	28,140	20,190	13,480
LB*0611L6	4VES-7 †	48,530	36,830	31,640	26,810	18,400	11,260
LB*0751L6	4TES-9 †	60,230	46,360	40,160	34,430	24,220	15,550
LB*1001L6	4PES-12 †	67,190	51,220	44,070	37,400	25,700	15,770
LB*1201L6	4NES-14 †	83,520	63,700	54,920	46,850	32,640	20,640
LB*1301L6	4JE-15 †	92,240	70,350	60,460	51,300	34,880	20,580

Model	Compressor	Capacity BTUH @ 95°F Ambient by SST					
		0°F	-10°F	-15°F	-20°F	-30°F	-40°F
LB*0401L6	4EES-4	30,910	23,790	20,640	17,730	12,540	8,150
LB*0551L6	4DES-5	36,110	27,800	24,090	20,660	14,600	9,460
LB*0601L6	4CES-6	46,450	35,710	31,020	26,670	19,040	12,630
LB*0611L6	4VES-7 †	45,960	34,750	29,780	25,140	17,110	10,270
LB*0751L6	4TES-9 †	57,160	43,960	38,010	32,500	22,720	14,440
LB*1001L6	4PES-12 †	63,540	48,320	41,470	35,060	23,870	14,390
LB*1201L6	4NES-14 †	79,310	60,350	51,910	44,170	30,550	19,100
LB*1301L6	4JE-15 †	87,630	66,580	57,100	48,300	32,560	18,920

Model	Compressor	Capacity BTUH @ 100°F Ambient by SST					
		0°F	-10°F	-15°F	-20°F	-30°F	-40°F
LB*0401L6	4EES-4	29,340	22,500	19,490	16,690	11,730	7,550
LB*0551L6	4DES-5	34,230	26,270	22,720	19,440	13,630	8,750
LB*0601L6	4CES-6	44,190	33,930	29,380	25,210	17,910	11,790
LB*0611L6	4VES-7 †	43,420	32,700	27,880	23,480	15,810	9,300
LB*0751L6	4TES-9 †	54,310	41,580	35,880	30,600	21,240	13,340
LB*1001L6	4PES-12 †	60,110	45,450	38,820	32,750	22,090	13,040
LB*1201L6	4NES-14 †	75,170	57,020	48,930	41,470	28,490	17,580
LB*1301L6	4JE-15 †	82,970	62,860	53,770	45,340	30,280	17,290

Model	Compressor	Capacity BTUH @ 110°F Ambient by SST					
		0°F	-10°F	-15°F	-20°F	-30°F	-40°F
LB*0401L6	4EES-4	26,260	20,010	17,230	14,670	10,150	6,370
LB*0551L6	4DES-5	30,560	23,290	20,040	17,020	11,760	7,350
LB*0601L6	4CES-6	39,710	30,340	26,180	22,360	15,690	10,150
LB*0611L6	4VES-7 †	38,390	28,650	24,240	20,240	13,290	—
LB*0751L6	4TES-9 †	48,420	36,870	31,660	26,820	18,340	11,200
LB*1001L6	4PES-12 †	53,090	39,810	33,750	28,230	18,570	10,430
LB*1201L6	4NES-14 †	67,010	50,460	43,070	36,250	24,460	14,610
LB*1301L6	4JE-15 †	74,220	55,620	47,300	39,540	25,880	14,160

NOTES:

*= T for Outdoors, N for Indoors, S for Beacon II™

Head Fan Required for all operating conditions

Maximum Suction Gas Superheat <=35°F

† Liquid Injection via CIC is required at all operating conditions

PERFORMANCE DATA: HORIZONTAL AIR DISCHARGE CONDENSING UNIT

Low Temperature R-407C

Model	Compressor	Capacity BTUH @ 90°F Ambient by SST					
		0°F	-10°F	-15°F	-20°F	-30°F	-40°F
LB*0401L6	4EES-4	28,120	21,310	—	—	—	—
LB*0551L6	4DES-5	33,710	25,640	—	—	—	—
LB*0601L6	4CES-6	42,900	32,690	—	—	—	—
LB*0611L6	4VES-7	43,680	32,950	—	—	—	—
LB*0751L6	4TES-9	53,490	40,740	—	—	—	—
LB*1001L6	4PES-12	59,570	44,830	—	—	—	—
LB*1201L6	4NES-14	73,730	55,620	—	—	—	—
LB*1301L6	4JE-15	80,880	60,320	—	—	—	—

Model	Compressor	Capacity BTUH @ 95°F Ambient by SST					
		0°F	-10°F	-15°F	-20°F	-30°F	-40°F
LB*0401L6	4EES-4	26,790	20,200	—	—	—	—
LB*0551L6	4DES-5	32,160	24,380	—	—	—	—
LB*0601L6	4CES-6	41,070	31,190	—	—	—	—
LB*0611L6	4VES-7	41,540	31,220	—	—	—	—
LB*0751L6	4TES-9	50,980	38,730	—	—	—	—
LB*1001L6	4PES-12	56,620	42,450	—	—	—	—
LB*1201L6	4NES-14	70,260	52,840	—	—	—	—
LB*1301L6	4JE-15	76,930	57,050	—	—	—	—

Model	Compressor	Capacity BTUH @ 100°F Ambient by SST					
		0°F	-10°F	-15°F	-20°F	-30°F	-40°F
LB*0401L6	4EES-4	25,430	19,120	—	—	—	—
LB*0551L6	4DES-5	30,550	23,120	—	—	—	—
LB*0601L6	4CES-6	39,160	29,680	—	—	—	—
LB*0611L6	4VES-7	39,410	29,540	—	—	—	—
LB*0751L6	4TES-9	48,550	36,730	—	—	—	—
LB*1001L6	4PES-12	53,630	40,010	—	—	—	—
LB*1201L6	4NES-14	66,790	50,040	—	—	—	—
LB*1301L6	4JE-15	73,050	53,890	—	—	—	—

Model	Compressor	Capacity BTUH @ 110°F Ambient by SST					
		0°F	-10°F	-15°F	-20°F	-30°F	-40°F
LB*0401L6	4EES-4	22,800	—	—	—	—	—
LB*0551L6	4DES-5	27,500	—	—	—	—	—
LB*0601L6	4CES-6	35,470	—	—	—	—	—
LB*0611L6	4VES-7	35,210	—	—	—	—	—
LB*0751L6	4TES-9	43,590	—	—	—	—	—
LB*1001L6	4PES-12	47,520	—	—	—	—	—
LB*1201L6	4NES-14	59,770	—	—	—	—	—
LB*1301L6	4JE-15	65,520	—	—	—	—	—

NOTES:

*= T for Outdoors, N for Indoors, S for Beacon II™

HEAD FAN REQUIRED

PERFORMANCE DATA: HORIZONTAL AIR DISCHARGE CONDENSING UNIT

Low Temperature R-448A/R-449A

Model	Compressor	Capacity BTUH @ 90°F Ambient by SST					
		0°F	-10°F	-15°F	-20°F	-30°F	-40°F
LB*0401L6	4EES-4	32,320	24,970	21,750	18,790	13,560	9,160
LB*0551L6	4DES-5	37,790	29,180	25,420	21,940	15,840	10,680
LB*0601L6	4CES-6	48,210	37,190	32,410	28,020	20,380	13,980
LB*0611L6	4VES-7	48,150	36,600	31,550	26,910	18,960	12,270
LB*0751L6	4TES-9	58,980	45,430	39,410	33,920	24,300	16,290
LB*1001L6	4PES-12	65,880	50,300	43,370	37,020	26,050	16,920
LB*1201L6	4NES-14	82,490	63,000	54,520	46,830	33,470	22,420
LB*1301L6	4JE-15	95,620	73,800	64,230	55,390	39,840	26,630

Model	Compressor	Capacity BTUH @ 95°F Ambient by SST					
		0°F	-10°F	-15°F	-20°F	-30°F	-40°F
LB*0401L6	4EES-4	30,880	23,740	20,640	17,800	12,780	8,570
LB*0551L6	4DES-5	36,020	27,770	24,120	20,780	14,910	9,970
LB*0601L6	4CES-6	46,090	35,500	30,860	26,630	19,280	13,150
LB*0611L6	4VES-7	45,780	34,670	29,810	25,340	17,700	—
LB*0751L6	4TES-9	56,240	43,150	37,380	32,100	22,850	—
LB*1001L6	4PES-12	62,580	47,510	40,890	34,780	24,310	—
LB*1201L6	4NES-14	78,400	59,800	51,650	44,220	31,430	—
LB*1301L6	4JE-15	91,320	70,270	61,050	52,520	37,510	—

Model	Compressor	Capacity BTUH @ 100°F Ambient by SST					
		0°F	-10°F	-15°F	-20°F	-30°F	-40°F
LB*0401L6	4EES-4	29,400	22,530	19,560	16,830	12,010	7,990
LB*0551L6	4DES-5	34,270	26,340	22,840	19,590	13,990	9,280
LB*0601L6	4CES-6	43,990	33,790	29,330	25,270	18,210	12,330
LB*0611L6	4VES-7	43,430	32,760	28,050	23,790	16,460	—
LB*0751L6	4TES-9	53,500	40,910	35,360	30,250	21,420	—
LB*1001L6	4PES-12	59,270	44,770	38,360	32,560	22,550	—
LB*1201L6	4NES-14	74,400	56,590	48,780	41,640	29,390	—
LB*1301L6	4JE-15	87,020	66,830	57,890	49,660	35,200	—

Model	Compressor	Capacity BTUH @ 110°F Ambient by SST					
		0°F	-10°F	-15°F	-20°F	-30°F	-40°F
LB*0401L6	4EES-4	26,490	20,200	17,450	14,910	10,510	6,850
LB*0551L6	4DES-5	30,820	23,540	20,320	17,340	12,210	7,910
LB*0601L6	4CES-6	39,830	30,450	26,330	22,560	16,100	10,750
LB*0611L6	4VES-7	38,880	28,980	24,670	20,750	14,040	—
LB*0751L6	4TES-9	48,000	36,490	31,390	26,680	18,600	—
LB*1001L6	4PES-12	52,430	39,300	33,490	28,200	19,110	—
LB*1201L6	4NES-14	66,520	50,180	42,970	36,500	25,350	—
LB*1301L6	4JE-15	78,460	59,880	51,600	44,000	30,610	—

NOTES:

*= T for Outdoors, N for Indoors, S for Beacon II™

Head Fan Required for all operating conditions

Maximum Suction Gas Superheat ≤35°F

ELECTRICAL DATA: HORIZONTAL AIR DISCHARGE CONDENSING UNIT

208-230 Volts

Model	Compressor Model	Condensing Unit							Remote Loads ‡			
		Compressor		Condenser			Air Defrost or Beacon II		Evap. Fan Amps	Defrost Htrs. Amps	Electric Defrost	
		RLA	LRA	No. Fans	HP	FLA	MCA	MOPD			MCA	MOPD
LB*0551M6C	4EES-6	31.0	163.0	2	1/3	5.4	45.0	70.0	Contact Factory for System Electrical Ratings			
LB*0751M6C	4DES-7	34.2	215.0	2	1/3	5.4	49.0	80.0				
LB*0911M6C	4CES-9	37.8	215.0	2	3/4	8.8	56.0	90.0				
LB*1001M6C	4VES-10	42.5	222.0	2	3/4	8.8	62.0	100.0				
LB*0401L6C	4EES-4	22.2	142.0	1	1/3	2.7	31.0	50.0				
LB*0551L6C	4DES-5	22.8	163.0	1	1/3	2.7	32.0	50.0				
LB*0601L6C	4CES-6	27.6	215.0	2	1/3	5.4	40.0	60.0				
LB*0611L6C	4VES-7	26.9	150.0	2	1/3	5.4	40.0	60.0				
LB*0751L6C	4TES-9	31.2	180.0	2	1/3	5.4	45.0	70.0				
LB*1001L6C	4PES-12	38.3	222.0	2	1/3	5.4	54.0	90.0				
LB*1201L6C	4NES-14	44.0	252.0	2	3/4	8.8	64.0	100.0				
LB*1301L6C	4JE-15	55.3	352.0	2	3/4	8.8	78.0	125.0				

460 Volts

Model	Compressor Model	Condensing Unit							Remote Loads ‡			
		Compressor		Condenser			Air Defrost or Beacon II		Evap. Fan Amps	Defrost Htrs. Amps	Electric Defrost	
		RLA	LRA	No. Fans	HP	FLA	MCA	MOPD			MCA	MOPD
LB*0551M6C	4EES-6	13.4	66.5	2	1/3	3.8	21.0	30.0	Contact Factory for System Electrical Ratings			
LB*0751M6C	4DES-7	15.3	88.0	2	1/3	3.8	23.0	35.0				
LB*0911M6C	4CES-9	17.1	88.0	2	3/4	4.4	26.0	40.0				
LB*1001M6C	4VES-10	19.2	111.0	2	3/4	4.4	29.0	45.0				
LB*0401L6C	4EES-4	9.2	58.0	1	1/3	1.9	15.0	20.0				
LB*0551L6C	4DES-5	10.8	66.5	1	1/3	1.9	20.0	25.0				
LB*0601L6C	4CES-6	14.2	88.0	2	1/3	3.8	22.0	35.0				
LB*0611L6C	4VES-7	12.2	75.0	2	1/3	3.8	20.0	30.0				
LB*0751L6C	4TES-9	14.1	90.0	2	1/3	3.8	22.0	35.0				
LB*1001L6C	4PES-12	17.3	111.0	2	1/3	3.8	26.0	40.0				
LB*1201L6C	4NES-14	19.9	126.0	2	3/4	4.4	30.0	45.0				
LB*1301L6C	4JE-15	25.0	176.0	2	3/4	4.4	36.0	60.0				

NOTES:

* = T for Outdoor, N for Indoor, S for Beacon II
 ‡ = Condensing unit data plate ratings will be based on actual system match.
 Ratings shown at 60Hz. Consult factory for 50Hz applications.

ELECTRICAL DATA: HORIZONTAL AIR DISCHARGE CONDENSING UNIT

575 Volts

Model	Compressor Model	Condensing Unit							Remote Loads ‡			
		Compressor		Condenser			Air Defrost or Beacon II		Evap. Fan Amps	Defrost Htrs. Amps	Electric Defrost	
		RLA	LRA	No. Fans	HP	FLA	MCA	MOPD			MCA	MOPD
LB*0551M6C	4EES-6	9.4	48.0	2	1/3	2.4	15.0	20.0	Contact Factory for System Electrical Ratings			
LB*0751M6C	4DES-7	11.0	63.5	2	1/3	2.4	20.0	25.0				
LB*0911M6C	4CES-9	13.7	63.5	2	3/4	3.6	21.0	30.0				
LB*1001M6C	4VES-10	15.4	89.0	2	3/4	3.6	23.0	35.0				
LB*0401L6C	4EES-4	7.4	41.5	1	1/3	1.2	15.0	15.0				
LB*0551L6C	4DES-5	9.0	48.0	1	1/3	1.2	15.0	20.0				
LB*0601L6C	4CES-6	11.2	63.5	2	1/3	2.4	20.0	25.0				
LB*0611L6C	4VES-7	9.6	60.0	2	1/3	2.4	15.0	20.0				
LB*0751L6C	4TES-9	12.2	72.0	2	1/3	2.4	20.0	25.0				
LB*1001L6C	4PES-12	14.4	89.0	2	1/3	2.4	21.0	30.0				
LB*1201L6C	4NES-14	15.9	101.0	2	3/4	3.6	24.0	35.0				
LB*1301L6C	4JE-15	20.0	140.0	2	3/4	3.6	29.0	45.0				

NOTES:

* = T for Outdoor, N for Indoor, S for Beacon II
 ‡ = Condensing unit data plate ratings will be based on actual system match.
 Ratings shown at 60Hz. Consult factory for 50Hz applications.

UNIT SPECIFICATIONS: HORIZONTAL AIR DISCHARGE CONDENSING UNIT

Unit Specifications

Model	Compressor	HP	Refrigerant Line Connections (OD)		Rec. Capacity @90% full (lbs)		Dimensions (In.)			Net Wt. Lbs.
			Liquid	Suction	Std.	Opt.	Length	Width	Height	
LB*0551M6C	4EES-6	5.5	5/8	1 1/8	67	78	36-3/4	63-3/4	39-1/4	823
LB*0751M6C	4DES-7	7.5	5/8	1 1/8	67	78	36-3/4	63-3/4	39-1/4	862
LB*0911M6C	4CES-9	9.0	7/8	1 3/8	67	87	41-3/4	75-1/8	48-3/4	993
LB*1001M6C	4VES-10	10.0	7/8	1 3/8	67	87	41-3/4	75-1/8	48-3/4	1,101
LB*0401L6C	4EES-4	4.0	1/2	1 1/8	28	52	36-3/4	51-3/4	39-1/4	595
LB*0551L6C	4DES-5	5.5	1/2	1 1/8	28	52	36-3/4	51-3/4	39-1/4	645
LB*0601L6C	4CES-6	6.0	5/8	1 1/8	67	78	36-3/4	63-3/4	39-1/4	775
LB*0611L6C	4VES-7	6.5	5/8	1 1/8	67	78	36-3/4	63-3/4	39-1/4	865
LB*0751L6C	4TES-9	7.5	5/8	1 3/8	67	78	36-3/4	63-3/4	39-1/4	935
LB*1001L6C	4PES-12	10.0	5/8	1 3/8	67	78	36-3/4	63-3/4	39-1/4	1,000
LB*1201L6C	4NES-14	12.0	7/8	1 3/8	67	87	41-3/4	75-1/8	48-3/4	1,082
LB*1301L6C	4JE-15	13.0	7/8	1 5/8	67	87	41-3/4	75-1/8	48-3/4	1,173

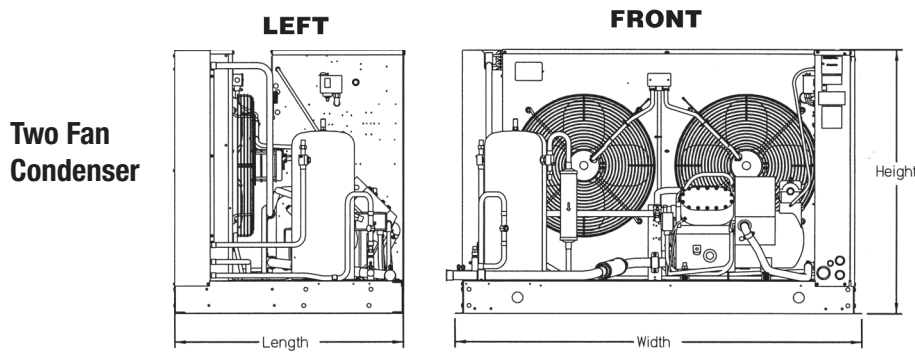
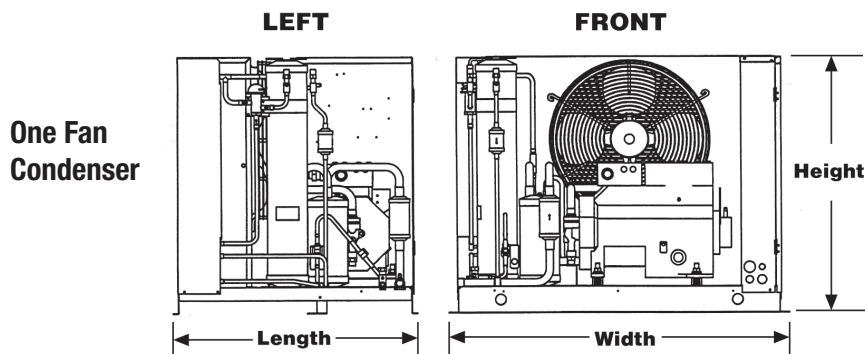
NOTES:

* = T for Outdoor, N for Indoor, S for Beacon II

AWEF VALUES:

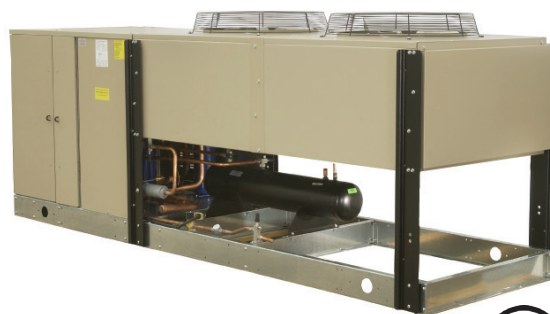
MEDIUM TEMPERATURE CONDENSING UNITS

Model	Indoor			Outdoor/Beacon II				
	R-404A/ R-507A	R-407A/ R-407F	R-407C	R-448A/ R-449A	R-404A/ R-507A	R-407A/ R-407F	R-407C	R-448A/ R-449A
LB*0551M6	6.37	6.44	6.79	6.52	9.68	8.89	9.04	8.47
LB*0751M6	6.16	6.24	6.53	6.33	9.35	8.63	8.74	8.24
LB*0901M6	6.30	6.35	6.62	6.40	9.43	8.62	8.75	8.22
LB*1001M6	6.57	6.65	6.88	6.74	9.79	9.04	9.15	8.71



Standard and Optional Features

- Floating Tube™ coil design
- Resource II Adjustable head pressure control
- Adjustable head pressure control
- Designed for use with R-404A, R-507, R-407A, R-407C, R-407F, R-448A, R-449A
- Prebent copper tubes minimize welded joints on internal piping
- Fixed high pressure switch eliminates capillary tubes
- Oil safety control
- Bitzer compressors with POE oil
- Spring mounted compressor with suction and discharge vibration eliminators
- Crankcase heater
- Thermally protected, permanently lubricated ball bearing condenser fan motors
- Separate subcooling circuit in condenser for added capacity and vapor-free liquid
- Receivers are sized for sufficient pumpdown capacity with inlet and outlet service valves
- Pressure relief valve on receiver
- Sealed liquid line filter drier and sight glass
- Electrical controls, including compressor contactor and optional defrost control, are located in easily accessible control box with a hinged cover
- Service Mate™ module to assist troubleshooting
- Pumpdown Switch
- Cabinet is constructed from prepainted galvanized steel
- Convenient access panels for easy servicing to internal components



Factory-Installed Options

- Compressor unloading
- Replaceable core liquid filter drier
- Liquid line solenoid valve
- Suction filter
- Replaceable core suction filter
- Suction accumulator
- Oil separator with discharge line check valve
- Air defrost timer
- Electric defrost kits, including timer, evaporator fan contactor with fusing, defrost heater contactor(s), lockout relay and terminal strip
- Fusing for defrost kits
- Evaporator holdout relays for systems with multiple electric defrost evaporators
- Low ambient kit with heated and insulated receiver with time delay
- Fused disconnect switch
- Non-fused disconnect switch
- Phase-loss protection
- Manual-reset high pressure switch
- Anti-short cycle timer
- Compressor circuit breakers
- Condenser fan cycling (standard on BDVS)
- Three-way heat reclaim valve (n/a on BDVS)
- Coated condenser coils for protection against corrosion in harsh environments
- Beacon II™ compatible

Nomenclature

L	D	V	130B	L	6	D
Brand	Head Pressure Control	Airflow	Horsepower	Temperature	Refrigerant	Voltage
L = Larkin	D = Beacon II™	V = Vertical	130B - 13	L - Low Temp	6 = R-404A, R-507	C = 208-230/3/60
			150B - 15	M - Med. Temp	R-407A	D = 460/3/60
		VS= Vertical Beacon	200B - 20		R-407C	E = 575/3/60
			220B - 22		R-407F	
			250B - 25		R-448A	
			300B - 30		R-449A	
			330B - 33			
			350B - 35			
			400B - 40			
			500B - 50			

PERFORMANCE DATA: SINGLE VERTICAL AIR DISCHARGE CONDENSING UNIT

Medium Temperature R-404A/R-507

Model	Compressor	Capacity BTUH @ 90°F Ambient by SST					
		40°F	30°F	25°F	20°F	15°F	5°F
LDV*150BM6	4PES-15	187,710	156,540	141,700	127,560	114,550	90,850
LDV*200BM6	4NES-20	224,520	187,550	170,070	153,350	138,000	110,040
LDV*220BM6	4JE-22	247,330	208,030	188,950	171,180	154,470	123,830
LDV*250BM6	4HE-25	287,850	242,860	221,580	201,140	181,650	146,580
LDV*300BM6	4GE-30	337,020	283,160	258,040	233,950	211,590	170,530
LDV*330BM6	6JE-33	372,630	311,810	283,160	255,600	230,290	184,070
LDV*350BM6	6HE-35	413,810	349,120	318,960	290,250	262,710	212,380
LDV*400BM6	6GE-40	488,380	412,160	375,980	341,100	308,770	249,380
LDV*500BM6	6FE-50	583,880	496,220	453,480	412,790	373,960	303,470

Model	Compressor	Capacity BTUH @ 95°F Ambient by SST					
		40°F	30°F	25°F	20°F	15°F	5°F
LDV*150BM6	4PES-15	178,420	148,770	134,550	121,120	108,730	86,060
LDV*200BM6	4NES-20	213,740	178,560	161,800	146,110	131,310	104,530
LDV*220BM6	4JE-22	235,440	198,120	180,010	162,940	146,990	117,700
LDV*250BM6	4HE-25	273,870	231,630	210,770	191,440	172,990	139,470
LDV*300BM6	4GE-30	320,910	269,980	245,840	223,150	201,620	162,400
LDV*330BM6	6JE-33	355,320	297,110	269,790	243,880	219,430	175,040
LDV*350BM6	6HE-35	393,690	332,470	303,790	276,390	250,040	202,110
LDV*400BM6	6GE-40	464,920	392,280	357,980	325,030	294,280	237,610
LDV*500BM6	6FE-50	555,280	472,310	431,260	392,940	356,300	289,190

Model	Compressor	Capacity BTUH @ 100°F Ambient by SST					
		40°F	30°F	25°F	20°F	15°F	5°F
LDV*150BM6	4PES-15	169,060	141,060	127,420	114,830	102,910	81,270
LDV*200BM6	4NES-20	202,840	169,540	153,580	138,710	124,620	99,080
LDV*220BM6	4JE-22	223,430	188,040	170,920	154,780	139,490	111,540
LDV*250BM6	4HE-25	259,800	219,860	200,430	181,780	164,440	132,350
LDV*300BM6	4GE-30	304,610	256,420	233,500	212,020	191,520	154,200
LDV*330BM6	6JE-33	337,820	282,480	256,450	231,850	208,490	165,990
LDV*350BM6	6HE-35	373,190	315,520	288,810	262,210	237,340	191,770
LDV*400BM6	6GE-40	441,150	372,470	340,020	309,120	279,650	225,730
LDV*500BM6	6FE-50	526,050	447,940	409,760	373,080	338,650	274,700

Model	Compressor	Capacity BTUH @ 110°F Ambient by SST					
		40°F	30°F	25°F	20°F	15°F	5°F
LDV*150BM6	4PES-15	150,500	125,110	113,340	101,980	91,300	71,720
LDV*200BM6	4NES-20	181,140	151,130	137,240	123,830	111,200	88,120
LDV*220BM6	4JE-22	198,980	167,840	152,640	138,090	124,390	99,180
LDV*250BM6	4HE-25	231,060	195,690	178,600	162,390	146,590	118,010
LDV*300BM6	4GE-30	271,650	229,040	208,820	189,390	171,120	137,530
LDV*330BM6	6JE-33	302,540	252,840	229,810	207,480	186,340	147,690
LDV*350BM6	6HE-35	331,460	281,160	256,920	233,810	211,910	170,870
LDV*400BM6	6GE-40	393,230	332,370	303,860	276,190	249,950	201,550
LDV*500BM6	6FE-50	466,490	398,690	364,700	332,990	302,260	245,260

NOTES:

LDV* = LDV is Adjustable Head Pressure Control, LDVS is Beacon II
 For 50 cycle capacity, multiply values by .86

PERFORMANCE DATA: SINGLE VERTICAL AIR DISCHARGE CONDENSING UNIT

Medium Temperature R-407A/R-407F

Model	Compressor	Capacity BTUH @ 90°F Ambient by SST					
		40°F	30°F	25°F	20°F	15°F	5°F
LDV*150BM6	4PES-15	187,090	152,750	137,070	122,260	108,780	84,690
LDV*200BM6	4NES-20	221,990	181,360	162,730	145,380	129,530	101,180
LDV*220BM6	4JE-22	243,880	199,750	179,190	160,240	142,710	111,250
LDV*250BM6	4HE-25	281,350	230,530	206,880	184,950	164,520	128,370
LDV*300BM6	4GE-30	335,370	274,540	246,560	220,580	196,830	154,200
LDV*330BM6	6JE-33	368,980	301,640	270,650	241,720	215,150	167,560
LDV*350BM6	6HE-35	418,430	344,840	311,210	278,980	249,050	195,750
LDV*400BM6	6GE-40	500,870	410,690	369,460	330,550	294,710	231,070
LDV*500BM6	6FE-50	591,560	486,110	436,860	391,440	349,170	273,950

Model	Compressor	Capacity BTUH @ 95°F Ambient by SST					
		40°F	30°F	25°F	20°F	15°F	5°F
LDV*150BM6	4PES-15	179,050	145,950	130,920	116,760	103,780	80,570
LDV*200BM6	4NES-20	212,790	173,610	155,780	139,060	123,790	96,470
LDV*220BM6	4JE-22	233,720	191,200	171,650	153,080	136,200	105,850
LDV*250BM6	4HE-25	269,590	220,610	197,950	176,650	157,140	122,110
LDV*300BM6	4GE-30	321,970	263,250	236,300	211,460	188,350	147,200
LDV*330BM6	6JE-33	353,720	288,630	258,890	230,910	205,390	159,450
LDV*350BM6	6HE-35	401,120	330,330	297,900	266,600	237,990	186,620
LDV*400BM6	6GE-40	480,790	393,590	353,940	316,610	282,190	220,570
LDV*500BM6	6FE-50	567,590	466,120	418,600	374,820	334,030	261,410

Model	Compressor	Capacity BTUH @ 100°F Ambient by SST					
		40°F	30°F	25°F	20°F	15°F	5°F
LDV*150BM6	4PES-15	171,150	139,430	124,870	111,220	98,780	76,440
LDV*200BM6	4NES-20	203,630	166,040	148,810	132,870	118,050	91,750
LDV*220BM6	4JE-22	223,530	182,440	163,660	145,930	129,700	100,480
LDV*250BM6	4HE-25	257,800	210,690	189,020	168,350	149,620	115,880
LDV*300BM6	4GE-30	308,530	251,930	226,080	202,160	179,890	140,230
LDV*330BM6	6JE-33	338,400	275,760	247,080	220,450	195,620	151,370
LDV*350BM6	6HE-35	383,740	315,830	284,580	254,750	226,940	177,550
LDV*400BM6	6GE-40	460,430	377,000	338,620	302,620	269,530	210,130
LDV*500BM6	6FE-50	543,510	445,770	400,420	358,230	318,930	249,000

Model	Compressor	Capacity BTUH @ 110°F Ambient by SST					
		40°F	30°F	25°F	20°F	15°F	5°F
LDV*150BM6	4PES-15	155,520	126,200	112,760	100,380	88,810	68,260
LDV*200BM6	4NES-20	185,490	150,750	134,890	120,270	106,610	82,400
LDV*220BM6	4JE-22	203,220	165,670	148,080	131,930	116,830	89,850
LDV*250BM6	4HE-25	234,200	191,000	170,770	152,120	134,690	103,560
LDV*300BM6	4GE-30	281,600	229,510	205,860	183,660	163,090	126,430
LDV*330BM6	6JE-33	308,170	250,230	223,920	199,190	176,250	135,400
LDV*350BM6	6HE-35	349,050	287,360	258,080	230,600	205,290	159,590
LDV*400BM6	6GE-40	420,660	343,850	308,020	275,080	244,330	189,440
LDV*500BM6	6FE-50	495,450	405,360	364,190	325,170	289,160	224,380

NOTES:

LDV* = LDV is Adjustable Head Pressure Control, LDVS is Beacon II
 For 50 cycle capacity, multiply values by .86

PERFORMANCE DATA: SINGLE VERTICAL AIR DISCHARGE CONDENSING UNIT

Medium Temperature R-407C

Model	Compressor	Capacity BTUH @ 90°F Ambient by SST					
		40°F	30°F	25°F	20°F	15°F	5°F
LDV*150BM6	4PES-15	168,520	136,570	122,030	108,640	96,240	74,460
LDV*200BM6	4NES-20	199,570	161,700	144,740	128,990	114,380	88,820
LDV*220BM6	4JE-22	222,760	180,000	160,590	142,820	126,210	97,020
LDV*250BM6	4HE-25	262,110	212,640	190,020	169,240	150,040	115,780
LDV*300BM6	4GE-30	311,920	253,200	226,700	202,330	179,790	139,830
LDV*330BM6	6JE-33	327,130	264,270	236,030	210,190	186,350	144,270
LDV*350BM6	6HE-35	374,610	305,480	273,630	244,480	217,670	169,870
LDV*400BM6	6GE-40	453,430	368,820	330,480	295,200	263,010	205,860
LDV*500BM6	6FE-50	531,120	431,020	386,160	344,480	306,450	238,920

Model	Compressor	Capacity BTUH @ 95°F Ambient by SST					
		40°F	30°F	25°F	20°F	15°F	5°F
LDV*150BM6	4PES-15	161,830	130,810	116,930	104,010	92,020	71,010
LDV*200BM6	4NES-20	191,870	155,230	138,900	123,560	109,550	84,900
LDV*220BM6	4JE-22	214,180	172,940	154,200	136,880	120,780	92,540
LDV*250BM6	4HE-25	252,290	204,240	182,530	162,470	143,760	110,790
LDV*300BM6	4GE-30	300,880	244,040	218,390	194,810	172,970	134,240
LDV*330BM6	6JE-33	314,690	253,920	226,840	201,710	178,690	138,060
LDV*350BM6	6HE-35	360,420	293,700	263,310	234,790	208,910	162,860
LDV*400BM6	6GE-40	437,340	355,420	318,530	284,400	253,320	198,110
LDV*500BM6	6FE-50	511,620	415,050	371,550	331,250	294,560	229,360

Model	Compressor	Capacity BTUH @ 100°F Ambient by SST					
		40°F	30°F	25°F	20°F	15°F	5°F
LDV*150BM6	4PES-15	155,310	125,140	111,810	99,240	87,760	67,550
LDV*200BM6	4NES-20	184,320	148,900	133,030	118,200	104,690	80,960
LDV*220BM6	4JE-22	205,600	165,650	147,670	130,790	115,340	88,060
LDV*250BM6	4HE-25	242,440	196,280	175,030	155,710	137,600	105,720
LDV*300BM6	4GE-30	289,780	234,840	210,210	187,250	166,130	128,630
LDV*330BM6	6JE-33	302,120	243,480	217,400	193,160	170,940	131,700
LDV*350BM6	6HE-35	346,110	281,820	252,380	224,980	200,140	155,790
LDV*400BM6	6GE-40	421,110	342,040	306,440	273,720	243,530	190,280
LDV*500BM6	6FE-50	491,950	398,960	356,780	317,960	282,570	219,740

Model	Compressor	Capacity BTUH @ 110°F Ambient by SST					
		40°F	30°F	25°F	20°F	15°F	5°F
LDV*150BM6	4PES-15	141,710	113,990	101,520	89,830	79,210	60,580
LDV*200BM6	4NES-20	168,470	135,950	121,070	107,430	95,030	72,940
LDV*220BM6	4JE-22	188,470	151,420	134,640	118,880	104,590	79,080
LDV*250BM6	4HE-25	222,750	179,730	160,330	142,040	125,290	95,650
LDV*300BM6	4GE-30	267,290	216,410	193,520	172,130	152,430	117,370
LDV*330BM6	6JE-33	276,970	222,690	198,370	175,890	155,340	119,030
LDV*350BM6	6HE-35	317,280	257,560	230,610	205,610	182,500	141,590
LDV*400BM6	6GE-40	388,300	315,040	282,240	251,770	223,820	174,540
LDV*500BM6	6FE-50	452,160	365,960	327,040	291,400	258,440	200,360

NOTES:
 LDV* = LDV is Adjustable Head Pressure Control, LDVS is Beacon II
 For 50 cycle capacity, multiply values by .86

PERFORMANCE DATA: SINGLE VERTICAL AIR DISCHARGE CONDENSING UNIT

Medium Temperature R-448A/R-449A

Model	Compressor	Capacity BTUH @ 90°F Ambient by SST					
		40°F	30°F	25°F	20°F	15°F	5°F
LDV*150BM6	4PES-15	185,080	149,830	133,760	118,900	105,410	81,600
LDV*200BM6	4NES-20	221,250	179,430	160,620	143,100	127,180	99,120
LDV*220BM6	4JE-22	244,650	199,890	179,250	160,280	142,720	111,840
LDV*250BM6	4HE-25	285,720	234,410	210,680	188,850	168,600	132,860
LDV*300BM6	4GE-30	332,180	271,830	244,420	218,980	195,710	154,320
LDV*330BM6	6JE-33	366,630	298,120	267,220	238,400	212,170	165,700
LDV*350BM6	6HE-35	412,310	339,140	305,780	274,000	245,030	193,480
LDV*400BM6	6GE-40	482,370	395,550	356,330	319,620	285,720	225,900
LDV*500BM6	6FE-50	580,300	478,860	431,790	388,140	347,570	275,560

Model	Compressor	Capacity BTUH @ 95°F Ambient by SST					
		40°F	30°F	25°F	20°F	15°F	5°F
LDV*150BM6	4PES-15	177,590	143,460	128,040	113,690	100,690	77,710
LDV*200BM6	4NES-20	212,680	172,390	154,140	137,330	121,870	94,770
LDV*220BM6	4JE-22	235,260	192,040	172,310	153,750	136,890	106,920
LDV*250BM6	4HE-25	274,750	225,290	202,480	181,330	161,770	127,290
LDV*300BM6	4GE-30	319,390	261,340	234,840	210,450	187,890	147,960
LDV*330BM6	6JE-33	353,110	286,890	256,830	228,910	203,480	158,450
LDV*350BM6	6HE-35	396,530	326,030	293,840	263,160	235,150	185,370
LDV*400BM6	6GE-40	463,880	380,440	342,510	307,110	274,630	216,720
LDV*500BM6	6FE-50	557,670	460,190	415,150	372,950	333,840	264,490

Model	Compressor	Capacity BTUH @ 100°F Ambient by SST					
		40°F	30°F	25°F	20°F	15°F	5°F
LDV*150BM6	4PES-15	170,100	137,210	122,340	108,630	95,980	73,850
LDV*200BM6	4NES-20	204,150	165,390	147,700	131,500	116,580	90,440
LDV*220BM6	4JE-22	225,860	184,180	165,020	147,210	130,950	101,990
LDV*250BM6	4HE-25	263,700	216,150	194,080	173,780	155,050	121,680
LDV*300BM6	4GE-30	306,550	250,600	225,180	201,740	180,020	141,550
LDV*330BM6	6JE-33	339,860	275,370	246,410	219,570	194,790	151,190
LDV*350BM6	6HE-35	380,610	312,850	281,750	252,400	225,210	177,220
LDV*400BM6	6GE-40	445,300	365,230	328,600	294,530	263,260	207,480
LDV*500BM6	6FE-50	534,870	441,430	398,240	357,600	320,030	253,310

Model	Compressor	Capacity BTUH @ 110°F Ambient by SST					
		40°F	30°F	25°F	20°F	15°F	5°F
LDV*150BM6	4PES-15	155,420	124,880	111,040	98,410	86,720	66,190
LDV*200BM6	4NES-20	187,340	151,240	134,900	119,940	106,130	81,850
LDV*220BM6	4JE-22	206,950	168,260	150,640	134,260	119,070	92,120
LDV*250BM6	4HE-25	241,550	197,560	177,500	158,620	141,340	110,450
LDV*300BM6	4GE-30	280,640	229,200	205,970	184,230	164,170	128,650
LDV*330BM6	6JE-33	312,460	252,680	225,530	200,580	177,430	136,610
LDV*350BM6	6HE-35	349,130	286,630	257,610	230,430	205,290	160,830
LDV*400BM6	6GE-40	407,890	334,230	300,540	269,350	240,340	188,760
LDV*500BM6	6FE-50	489,020	403,290	363,800	326,600	292,350	230,650

NOTES:
 LDV* = LDV is Adjustable Head Pressure Control, LDVS is Beacon II
 For 50 cycle capacity, multiply values by .86

PERFORMANCE DATA: SINGLE VERTICAL AIR DISCHARGE CONDENSING UNIT

Low Temperature R-404A/R-507

Model	Compressor	Capacity BTUH @ 90°F Ambient by SST					
		0°F	-10°F	-15°F	-20°F	-30°F	-40°F
LDV*130BL6	4JE-15	108,820	86,040	75,780	66,300	49,460	35,180
LDV*150BL6	4HE-18	127,070	101,180	89,440	78,550	59,150	42,630
LDV*200BL6	4GE-23	147,000	117,660	104,510	92,210	70,220	51,280
LDV*220BL6	6JE-25	160,970	127,460	112,350	98,380	73,670	52,770
LDV*250BL6	6HE-28	189,030	150,040	132,590	116,420	87,720	63,360
LDV*300BL6	6GE-34	218,180	176,210	156,900	138,900	106,750	78,910
LDV*400BL6	6FE-44	264,630	212,120	188,520	166,340	126,600	92,100

Model	Compressor	Capacity BTUH @ 95°F Ambient by SST					
		0°F	-10°F	-15°F	-20°F	-30°F	-40°F
LDV*130BL6	4JE-15	103,400	81,630	71,810	62,640	46,560	32,900
LDV*150BL6	4HE-18	120,880	96,120	84,890	74,470	55,910	40,090
LDV*200BL6	4GE-23	139,750	111,880	99,380	87,640	66,650	48,530
LDV*220BL6	6JE-25	153,110	120,970	106,440	93,080	69,380	49,400
LDV*250BL6	6HE-28	179,840	142,560	125,850	110,380	82,870	59,500
LDV*300BL6	6GE-34	207,990	167,670	149,230	132,240	101,490	74,790
LDV*400BL6	6FE-44	251,860	201,870	179,380	158,150	119,920	86,780

Model	Compressor	Capacity BTUH @ 100°F Ambient by SST					
		0°F	-10°F	-15°F	-20°F	-30°F	-40°F
LDV*130BL6	4JE-15	97,940	77,200	67,820	59,060	43,680	30,620
LDV*150BL6	4HE-18	114,730	91,030	80,330	70,400	52,670	37,570
LDV*200BL6	4GE-23	132,430	106,040	94,220	83,020	63,020	45,810
LDV*220BL6	6JE-25	145,090	114,390	100,570	87,700	65,090	46,020
LDV*250BL6	6HE-28	170,310	135,040	119,100	104,310	78,010	55,700
LDV*300BL6	6GE-34	197,250	159,030	141,770	125,490	96,150	70,610
LDV*400BL6	6FE-44	238,570	191,700	170,120	149,870	113,270	81,420

Model	Compressor	Capacity BTUH @ 110°F Ambient by SST					
		0°F	-10°F	-15°F	-20°F	-30°F	-40°F
LDV*130BL6	4JE-15	87,140	68,370	59,790	51,920	37,970	26,150
LDV*150BL6	4HE-18	101,770	80,810	71,200	62,160	46,250	32,640
LDV*200BL6	4GE-23	117,750	94,490	83,790	73,820	55,900	40,430
LDV*220BL6	6JE-25	128,890	101,370	88,750	77,140	56,620	39,350
LDV*250BL6	6HE-28	151,540	119,900	105,540	92,060	68,300	48,070
LDV*300BL6	6GE-34	175,320	141,550	126,280	111,710	85,230	62,110
LDV*400BL6	6FE-44	212,730	170,690	151,310	133,070	99,800	70,680

NOTES:

LDV* = LDV is Adjustable Head Pressure Control, LDVS is Beacon II

HEAD FAN REQUIRED

For 50 cycle capacity, multiply values by .86

PERFORMANCE DATA: SINGLE VERTICAL AIR DISCHARGE CONDENSING UNIT

Low Temperature R-407A/R-407F

Model	Compressor	Capacity BTUH @ 90°F Ambient by SST					
		0°F	-10°F	-15°F	-20°F	-30°F	-40°F
LDV*130BL6	4JE-15	96,230	72,800	62,330	52,620	35,520	20,840
LDV*150BL6	4HE-18	113,950	86,860	74,740	63,540	43,590	26,450
LDV*200BL6	4GE-23	134,170	103,300	89,550	76,730	53,850	34,010
LDV*220BL6	6JE-25	143,350	108,490	92,900	78,430	52,930	31,050
LDV*250BL6	6HE-28	171,870	130,820	112,500	95,590	65,540	39,750
LDV*300BL6	6GE-34	194,650	148,750	128,200	109,210	75,290	46,020
LDV*400BL6	6FE-44	237,250	181,560	156,680	133,660	92,670	57,330

Model	Compressor	Capacity BTUH @ 95°F Ambient by SST					
		0°F	-10°F	-15°F	-20°F	-30°F	-40°F
LDV*130BL6	4JE-15	91,620	68,970	58,900	49,560	33,170	19,160
LDV*150BL6	4HE-18	108,620	82,530	70,870	60,110	40,970	24,590
LDV*200BL6	4GE-23	128,310	98,620	85,290	72,970	51,000	32,030
LDV*220BL6	6JE-25	136,300	102,760	87,780	73,860	49,430	—
LDV*250BL6	6HE-28	163,800	124,310	106,690	90,430	61,590	36,960
LDV*300BL6	6GE-34	185,560	141,370	121,630	103,370	70,830	42,870
LDV*400BL6	6FE-44	226,650	172,870	148,910	126,780	87,450	—

Model	Compressor	Capacity BTUH @ 100°F Ambient by SST					
		0°F	-10°F	-15°F	-20°F	-30°F	-40°F
LDV*130BL6	4JE-15	86,970	65,180	55,450	46,550	30,900	17,510
LDV*150BL6	4HE-18	103,320	78,250	67,050	56,650	38,380	22,760
LDV*200BL6	4GE-23	122,410	93,880	81,090	69,250	48,210	30,070
LDV*220BL6	6JE-25	129,300	97,090	82,610	69,350	46,020	26,080
LDV*250BL6	6HE-28	155,820	117,870	100,920	85,250	57,710	—
LDV*300BL6	6GE-34	176,410	134,100	115,130	97,610	66,460	39,780
LDV*400BL6	6FE-44	215,830	164,240	141,230	119,980	82,300	50,050

Model	Compressor	Capacity BTUH @ 110°F Ambient by SST					
		0°F	-10°F	-15°F	-20°F	-30°F	-40°F
LDV*130BL6	4JE-15	77,810	57,760	48,820	40,670	26,430	14,360
LDV*150BL6	4HE-18	92,900	69,860	59,570	50,040	33,370	19,230
LDV*200BL6	4GE-23	110,910	84,630	72,870	62,020	42,770	26,320
LDV*220BL6	6JE-25	115,780	86,020	72,710	60,580	39,350	21,370
LDV*250BL6	6HE-28	140,280	105,230	89,690	75,310	50,190	28,930
LDV*300BL6	6GE-34	158,970	119,880	102,460	86,320	57,980	33,850
LDV*400BL6	6FE-44	194,790	147,390	126,230	106,760	72,320	43,110

NOTES:

LDV* = LDV is Adjustable Head Pressure Control, LDVS is Beacon II Head Fan Required for all operating conditions

Liquid Injection via CIC is required

For 50 cycle capacity, multiply values by .86

PERFORMANCE DATA: SINGLE VERTICAL AIR DISCHARGE CONDENSING UNIT

Low Temperature R-407C

Model	Compressor	Capacity BTUH @ 90°F Ambient by SST					
		0°F	-10°F	-15°F	-20°F	-30°F	-40°F
LDV*130BL6	4JE-15	83,700	61,900	—	—	—	—
LDV*150BL6	4HE-18	99,630	74,260	—	—	—	—
LDV*200BL6	4GE-23	114,440	85,630	—	—	—	—
LDV*220BL6	6JE-25	124,790	92,290	—	—	—	—
LDV*250BL6	6HE-28	149,930	111,550	—	—	—	—
LDV*300BL6	6GE-34	171,010	127,770	—	—	—	—
LDV*400BL6	6FE-44	209,610	157,480	—	—	—	—

Model	Compressor	Capacity BTUH @ 95°F Ambient by SST					
		0°F	-10°F	-15°F	-20°F	-30°F	-40°F
LDV*130BL6	4JE-15	79,670	58,670	—	—	—	—
LDV*150BL6	4HE-18	95,190	70,600	—	—	—	—
LDV*200BL6	4GE-23	109,490	81,470	—	—	—	—
LDV*220BL6	6JE-25	118,790	87,470	—	—	—	—
LDV*250BL6	6HE-28	143,250	106,170	—	—	—	—
LDV*300BL6	6GE-34	163,240	121,540	—	—	—	—
LDV*400BL6	6FE-44	200,590	150,130	—	—	—	—

Model	Compressor	Capacity BTUH @ 100°F Ambient by SST					
		0°F	-10°F	-15°F	-20°F	-30°F	-40°F
LDV*130BL6	4JE-15	75,740	55,460	—	—	—	—
LDV*150BL6	4HE-18	90,770	67,030	—	—	—	—
LDV*200BL6	4GE-23	104,430	77,320	—	—	—	—
LDV*220BL6	6JE-25	112,920	82,680	—	—	—	—
LDV*250BL6	6HE-28	136,560	100,710	—	—	—	—
LDV*300BL6	6GE-34	155,580	115,310	—	—	—	—
LDV*400BL6	6FE-44	191,550	142,800	—	—	—	—

Model	Compressor	Capacity BTUH @ 110°F Ambient by SST					
		0°F	-10°F	-15°F	-20°F	-30°F	-40°F
LDV*130BL6	4JE-15	67,950	49,050	—	—	—	—
LDV*150BL6	4HE-18	81,850	59,860	—	—	—	—
LDV*200BL6	4GE-23	94,380	69,200	—	—	—	—
LDV*220BL6	6JE-25	101,300	73,120	—	—	—	—
LDV*250BL6	6HE-28	123,120	89,900	—	—	—	—
LDV*300BL6	6GE-34	140,700	103,140	—	—	—	—
LDV*400BL6	6FE-44	173,860	128,230	—	—	—	—

NOTES:

LDV* = LDV is Adjustable Head Pressure Control, LDVS is Beacon II

HEAD FAN REQUIRED

For 50 cycle capacity, multiply values by .86

PERFORMANCE DATA: SINGLE VERTICAL AIR DISCHARGE CONDENSING UNIT

Low Temperature R-448A/R-449A

Model	Compressor	Capacity BTUH @ 90°F Ambient by SST					
		0°F	-10°F	-15°F	-20°F	-30°F	-40°F
LDV*130BL6	4JE-15	98,920	75,930	65,830	56,550	40,470	26,980
LDV*150BL6	4HE-18	116,180	89,730	78,080	67,420	48,770	33,070
LDV*200BL6	4GE-23	134,990	105,010	91,830	79,680	58,390	40,300
LDV*220BL6	6JE-25	146,500	112,490	97,600	83,960	60,390	40,680
LDV*250BL6	6HE-28	171,970	132,700	115,440	99,700	72,210	49,180
LDV*300BL6	6GE-34	202,150	158,170	138,790	120,930	89,540	62,770
LDV*400BL6	6FE-44	242,980	189,130	165,400	143,460	104,760	71,850

Model	Compressor	Capacity BTUH @ 95°F Ambient by SST					
		0°F	-10°F	-15°F	-20°F	-30°F	-40°F
LDV*130BL6	4JE-15	94,600	72,390	62,630	53,660	38,140	—
LDV*150BL6	4HE-18	111,240	85,730	74,490	64,220	46,220	—
LDV*200BL6	4GE-23	129,450	100,550	87,870	76,170	55,670	—
LDV*220BL6	6JE-25	140,150	107,280	92,870	79,680	56,920	—
LDV*250BL6	6HE-28	164,710	126,780	110,120	94,910	68,350	—
LDV*300BL6	6GE-34	194,140	151,760	133,090	115,840	85,440	—
LDV*400BL6	6FE-44	233,310	181,380	158,300	137,070	99,550	—

Model	Compressor	Capacity BTUH @ 100°F Ambient by SST					
		0°F	-10°F	-15°F	-20°F	-30°F	-40°F
LDV*130BL6	4JE-15	90,370	68,860	59,430	50,770	35,800	—
LDV*150BL6	4HE-18	106,300	81,740	70,910	61,010	43,670	—
LDV*200BL6	4GE-23	123,890	96,170	83,910	72,660	52,930	—
LDV*220BL6	6JE-25	133,830	102,070	88,160	75,410	53,460	—
LDV*250BL6	6HE-28	157,430	120,860	104,780	90,000	64,470	—
LDV*300BL6	6GE-34	186,090	145,280	127,310	110,680	81,310	—
LDV*400BL6	6FE-44	223,530	173,410	151,140	130,610	94,280	—

Model	Compressor	Capacity BTUH @ 110°F Ambient by SST					
		0°F	-10°F	-15°F	-20°F	-30°F	-40°F
LDV*130BL6	4JE-15	81,810	61,840	53,030	45,040	—	—
LDV*150BL6	4HE-18	96,440	73,790	63,780	54,580	—	—
LDV*200BL6	4GE-23	112,880	87,310	76,040	65,710	—	—
LDV*220BL6	6JE-25	121,390	91,750	78,700	66,940	—	—
LDV*250BL6	6HE-28	142,860	108,980	94,070	80,380	—	—
LDV*300BL6	6GE-34	169,590	132,250	115,560	100,140	—	—
LDV*400BL6	6FE-44	203,530	157,320	136,660	117,580	—	—

NOTES:

LDV* = LDV is Adjustable Head Pressure Control, LDVS is Beacon II Head Fan Required for all operating conditions

Maximum Suction Gas Superheat <=35°F

For 50 cycle capacity, multiply values by .86

ELECTRICAL DATA: SINGLE VERTICAL AIR DISCHARGE CONDENSING UNIT

208-230 Volts

Model	Compressor Model	Condensing Unit						Remote Loads ‡			
		Compressor		Condenser		Air Defrost or Beacon II		Evap. Fan Amps	Defrost Htrs. Amps	Electric Defrost	
		RLA	LRA	No. Fans	FLA	MCA	MOPD			MCA	MOPD
LDV*150BM6	4PES-15	53.8	294.0	2	9.6	77.0	125.0	Contact Factory for System Electrical Ratings			
LDV*200BM6	4NES-20	63.8	352.0	2	14	94.0	150.0				
LDV*220BM6	4JE-22	68.1	352.0	2	14	100.0	150.0				
LDV*250BM6	4HE-25	83.7	436.0	2	14	119.0	200.0				
LDV*300BM6	4GE-30	99.2	490.0	3	21	146.0	225.0				
LDV*330BM6	6JE-33	110.6	550.0	3	21	160.0	250.0				
LDV*350BM6	6HE-35	116.2	550.0	3	21	167.0	250.0				
LDV*400BM6	6GE-40	156.0	700.0	4	28	223.0	350.0				
LDV*500BM6	6FE-50	158.8	950.0	4	28	227.0	350.0				
LDV*130BL6	4JE-15	55.3	352.0	2	9.6	79.0	125.0				
LDV*150BL6	4HE-18	59.8	352.0	2	9.6	85.0	125.0				
LDV*200BL6	4GE-23	63.8	352.0	2	9.6	90.0	150.0				
LDV*220BL6	6JE-25	78.5	490.0	2	14	113.0	175.0				
LDV*250BL6	6HE-28	85.8	490.0	2	14	122.0	200.0				
LDV*300BL6	6GE-34	93.6	490.0	2	14	131.0	200.0				
LDV*400BL6	6FE-44	107.8	700.0	3	21	156.0	250.0				

460/3/60 Volts

Model	Compressor Model	Condensing Unit						Remote Loads ‡			
		Compressor		Condenser		Air Defrost or Beacon II		Evap. Fan Amps	Defrost Htrs. Amps	Electric Defrost	
		RLA	LRA	No. Fans	FLA	MCA	MOPD			MCA	MOPD
LDV*150BM6	4PES-15	24.4	147.0	2	4.8	36.0	50.0	Contact Factory for System Electrical Ratings			
LDV*200BM6	4NES-20	28.8	176.0	2	7	44.0	70.0				
LDV*220BM6	4JE-22	30.8	176.0	2	7	46.0	70.0				
LDV*250BM6	4HE-25	37.8	218.0	2	7	55.0	90.0				
LDV*300BM6	4GE-30	44.9	245.0	3	10.5	67.0	110.0				
LDV*330BM6	6JE-33	50.0	275.0	3	10.5	73.0	110.0				
LDV*350BM6	6HE-35	52.6	275.0	3	10.5	77.0	125.0				
LDV*400BM6	6GE-40	70.5	350.0	4	14	103.0	150.0				
LDV*500BM6	6FE-50	71.8	425.0	4	14	104.0	175.0				
LDV*130BL6	4JE-15	25.0	176.0	2	4.8	37.0	60.0				
LDV*150BL6	4HE-18	27.1	176.0	2	4.8	39.0	60.0				
LDV*200BL6	4GE-23	28.8	176.0	2	4.8	41.0	60.0				
LDV*220BL6	6JE-25	35.5	245.0	2	7	52.0	80.0				
LDV*250BL6	6HE-28	38.8	245.0	2	7	56.0	90.0				
LDV*300BL6	6GE-34	42.3	245.0	2	7	60.0	100.0				
LDV*400BL6	6FE-44	48.7	350.0	3	10.5	72.0	110.0				

NOTES:

LDV* = LDV is Adjustable Head Pressure Control, LDVS is Beacon II
 ‡ = Condensing unit data plate ratings will be based on actual system match.
 Ratings shown at 60Hz. Consult factory for 50Hz applications.
 Beacon II™ and Air Defrost Units do not carry any of the evaporator fan or heater loads.
 Power is supplied directly to the evaporators and does not go through the condensing unit.

An evaporator heater hold out relay (option) is recommended when two or more evaporators are connected to a single (BLV/BBV) condensing unit to allow termination on coils that have already defrosted to prevent unnecessary steaming. This option is not needed on Beacon II™ (BDVS) systems wired for a Master / Slave operation. Power is supplied to each Beacon evaporator. Each coil terminates its own defrost. Refrigeration will not start until all coils have terminated defrost.

ELECTRICAL DATA: SINGLE VERTICAL AIR DISCHARGE CONDENSING UNIT

575/3/60 Volts

Model	Compressor Model	Condensing Unit						Remote Loads ‡				
		Compressor		Condenser		Air Defrost or Beacon II		Evap. Fan Amps	Defrost Htrs. Amps	Electric Defrost		
		RLA	LRA	No. Fans	FLA	MCA	MOPD			MCA	MOPD	
LDV*150BM6	4PES-15	19.6	117.0	2	4.6	30.0	45.0	Contact Factory for System Electrical Ratings				
LDV*200BM6	4NES-20	23.6	140.0	2	5.6	36.0	50.0					
LDV*220BM6	4JE-22	24.4	140.0	2	5.6	37.0	60.0					
LDV*250BM6	4HE-25	30.1	174.0	2	5.6	44.0	70.0					
LDV*300BM6	4GE-30	35.9	196.0	3	8.4	54.0	80.0					
LDV*330BM6	6JE-33	39.7	220.0	3	8.4	59.0	90.0					
LDV*350BM6	6HE-35	41.7	220.0	3	8.4	61.0	100.0					
LDV*400BM6	6GE-40	56.4	280.0	4	11.2	82.0	125.0					
LDV*500BM6	6FE-50	57.1	340.0	4	11.2	83.0	125.0					
LDV*130BL6	4JE-15	20.0	140.0	2	4.6	30.0	45.0					
LDV*150BL6	4HE-18	21.7	140.0	2	4.6	32.0	50.0					
LDV*200BL6	4GE-23	23.1	140.0	2	4.6	34.0	50.0					
LDV*220BL6	6JE-25	28.4	196.0	2	5.6	42.0	60.0					
LDV*250BL6	6HE-28	31.0	196.0	2	5.6	45.0	70.0					
LDV*300BL6	6GE-34	33.3	196.0	2	5.6	48.0	80.0					
LDV*400BL6	6FE-44	39.1	280.0	3	8.4	58.0	90.0					

NOTES:

LDV* = LDV is Adjustable Head Pressure Control, LDVS is Beacon II
 ‡ = Condensing unit data plate ratings will be based on actual system match.
 Ratings shown at 60Hz. Consult factory for 50Hz applications.

Beacon II™ and Air Defrost Units do not carry any of the evaporator fan or heater loads.
 Power is supplied directly to the evaporators and does not go through the condensing unit.

An evaporator heater hold out relay (option) is recommended when two or more evaporators are connected to a single (BLV/BBV) condensing unit to allow termination on coils that have already defrosted to prevent unnecessary steaming. This option is not needed on Beacon II™ (BDVS) systems wired for a Master / Slave operation. Power is supplied to each Beacon evaporator. Each coil terminates its own defrost. Refrigeration will not start until all coils have terminated defrost.

UNIT SPECIFICATIONS: SINGLE VERTICAL AIR DISCHARGE CONDENSING UNIT

Medium and Low Temperature

Model	Compressor	HP	Refrigerant Line Connections (OD)		Rec. Capacity @90% full (lbs)		Dimensions (In.)			Net Wt. Lbs.
			Liquid	Suction	Std.	Opt.	Length	Width	Height	
LDV*150BM6	4PES-15	15.0	7/8	1 5/8	123	81	144	44.5	55.6	1,630
LDV*200BM6	4NES-20	20.0	7/8	1 5/8	123	81	171	44.5	55.6	1,810
LDV*220BM6	4JE-22	22.0	1 1/8	2 1/8	123	81	171	44.5	55.6	1,880
LDV*250BM6	4HE-25	25.0	1 1/8	2 1/8	123	81	171	44.5	55.6	1,900
LDV*300BM6	4GE-30	30.0	1 1/8	2 1/8	188	123	226	44.5	55.6	2,310
LDV*330BM6	6JE-33	33.0	1 1/8	2 1/8	188	123	226	44.5	55.6	2,320
LDV*350BM6	6HE-35	35.0	1 1/8	2 1/8	188	123	226	44.5	55.6	2,320
LDV*400BM6	6GE-40	40.0	1 1/8	2 1/8	188	123	281	44.5	55.6	2,870
LDV*500BM6	6FE-50	50.0	1 1/8	2 1/8	188	123	281	44.5	55.6	2,890
LDV*130BL6	4JE-15	13.0	7/8	1 5/8	81	29	144	44.5	55.6	1,560
LDV*150BL6	4HE-18	15.0	7/8	1 5/8	81	29	144	44.5	55.6	1,580
LDV*200BL6	4GE-23	20.0	7/8	2 1/8	81	29	144	44.5	55.6	1,640
LDV*220BL6	6JE-25	22.0	7/8	2 1/8	123	81	171	44.5	55.6	1,810
LDV*250BL6	6HE-28	25.0	1 1/8	2 1/8	123	81	171	44.5	55.6	1,900
LDV*300BL6	6GE-34	30.0	1 1/8	2 1/8	123	81	171	44.5	55.6	1,900
LDV*400BL6	6FE-44	40.0	1 1/8	2 1/8	188	81	226	44.5	55.6	2,310

NOTES:

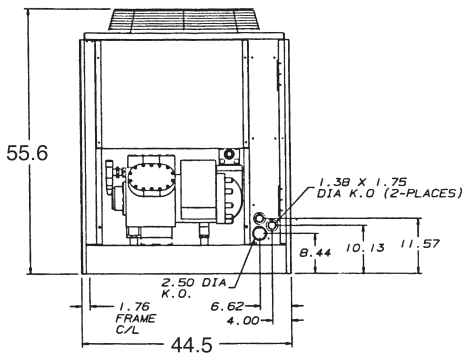
LDV* = LDV is Adjustable Head Pressure Control, LDVS is Beacon II

AWEF VALUES:

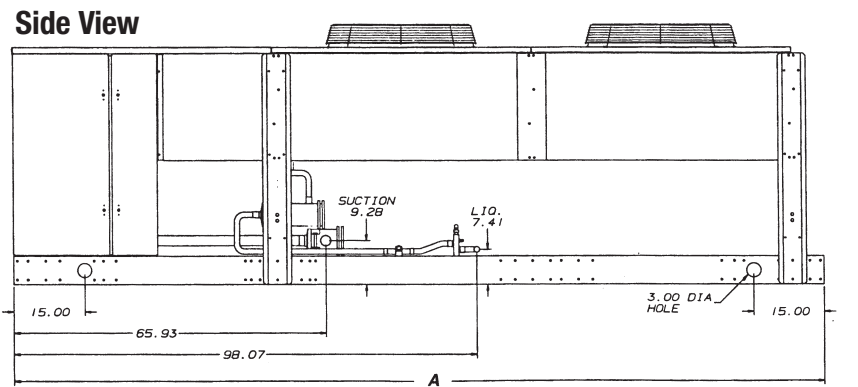
MEDIUM TEMPERATURE CONDENSING UNITS

Model	Outdoor/Beacon II			
	R-404A/ R-507A	R-407A/ R-407F	R-407C	R-448A/ R-449A
LDV*150BM6	8.94	8.22	8.14	7.83
LDV*200BM6	9.26	8.54	8.47	8.19
LDV*220BM6	9.40	8.65	7.73	8.23
LDV*250BM6	9.51	8.85	7.92	8.41
LDV*300BM6	9.15	8.53	7.61	8.04
LDV*330BM6	9.48	8.66	7.57	8.13
LDV*350BM6	9.26	8.82	7.76	8.26
LDV*400BM6	9.16	8.70	7.61	8.03
LDV*500BM6	9.23	8.91	7.78	8.34

End View



Side View



Standard and Optional Features

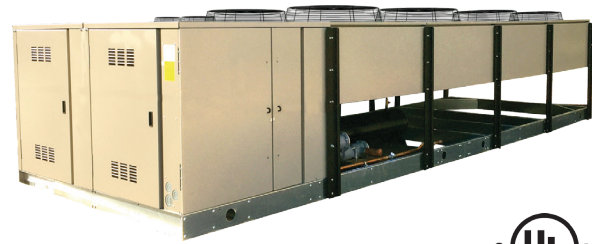
- Floating Tube™ coil design
- Resource II Adjustable head pressure control
- Adjustable head pressure control
- Designed for use with R-404A, R-507, R-407A, R-407C, R-407F, R-448A, R-449A
- Prebent copper tubes minimize welded joints on internal piping
- Fixed high pressure switch eliminates capillary tubes
- Oil safety control
- Bitzer compressors with POE oil
- Spring mounted compressor with suction and discharge vibration eliminators
- Crankcase heater
- Thermally protected, permanently lubricated ball bearing condenser fan motors
- Separate subcooling circuit in condenser for added capacity and vapor-free liquid
- Receivers are sized for sufficient pumpdown capacity with inlet and outlet service valves
- Pressure relief valve on receiver
- Sealed liquid line filter drier and sight glass
- Electrical controls, including compressor contactor and optional defrost control, are located in easily accessible control box with a hinged cover
- Service Mate™ module to assist troubleshooting
- Pumpdown Switch
- Cabinet is constructed from prepainted galvanized steel
- Convenient access panels for easy servicing to internal components

Additional Standard Features for Parallel Piped Units

1. Replaceable core liquid line filter drier
2. Replaceable core suction filter
3. Suction accumulator
4. Oil management system
5. Contact Factory for Beacon II™ Application

Nomenclature

L	D	D	130B	L	6	D
Brand	Head Pressure Control	Airflow	Horsepower	Temperature	Refrigerant	Voltage
L = Larkin	D = Beacon II™	D = Vertical	130B - 13	L - Low Temp	6 = R-404A, R-507	C = 208-230/3/60
			150B - 15	M - Med. Temp	R-407A	D = 460/3/60
		DS= Vertical Beacon	200B - 20		R-407C	E = 575/3/60
			220B - 22		R-407F	
			250B - 25		R-448A	
			300B - 30		R-449A	
			330B - 33			
			350B - 35			
			400B - 40			
			500B - 50			



Factory-Installed Options

- Replaceable core liquid line filter driers with sight glasses
- Liquid line solenoid valves
- Suction filter
- Replaceable core suction filter
- Suction accumulator
- Oil separator with discharge line check valve
- Air defrost timer
- Electric defrost kits, including timer, evaporator fan contactor with fusing, defrost heater contactor(s), lockout relay and terminal strip
- Low ambient kit with heated and insulated receiver with time delay
- Compressor unloading
- External discharge line mufflers
- Phase-loss protection
- Manual-reset high pressure switch
- Anti-short cycling timer
- Compressor circuit breakers
- Condenser fan cycling (standard on JDDS)
- Three-way heat reclaim valve with mounted check valves
- Coated condenser coils for protection against corrosion in harsh environments
- Beacon II™ compatible

PERFORMANCE DATA: DUAL VERTICAL AIR DISCHARGE CONDENSING UNIT

Medium Temperature R-404A/R-507

Model	Compressor (2 each)	Capacity BTUH @ 90°F Ambient by SST					
		40°F	30°F	25°F	20°F	15°F	5°F
LDD*300BM6	4PES-15	375,420	313,080	283,400	255,120	229,100	181,700
LDD*400BM6	4NES-20	449,040	375,100	340,140	306,700	276,000	220,080
LDD*440BM6	4JE-22	494,660	416,060	377,900	342,360	308,940	247,660
LDD*500BM6	4HE-25	575,700	485,720	443,160	402,280	363,300	293,160
LDD*600BM6	4GE-30	674,040	566,320	516,080	467,900	423,180	341,060
LDD*660BM6	6JE-33	745,260	623,620	566,320	511,200	460,580	368,140
LDD*700BM6	6HE-35	827,620	698,240	637,920	580,500	525,420	424,760
LDD*800BM6	6GE-40	976,760	824,320	751,960	682,200	617,540	498,760
LDD*110BM6	6FE-50	1,167,760	992,440	906,960	825,580	747,920	606,940

Model	Compressor (2 Each)	Capacity BTUH @ 95°F Ambient by SST					
		40°F	30°F	25°F	20°F	15°F	5°F
LDD*300BM6	4PES-15	356,840	297,540	269,100	242,240	217,460	172,120
LDD*400BM6	4NES-20	427,480	357,120	323,600	292,220	262,620	209,060
LDD*440BM6	4JE-22	470,880	396,240	360,020	325,880	293,980	235,400
LDD*500BM6	4HE-25	547,740	463,260	421,540	382,880	345,980	278,940
LDD*600BM6	4GE-30	641,820	539,960	491,680	446,300	403,240	324,800
LDD*660BM6	6JE-33	710,640	594,220	539,580	487,760	438,860	350,080
LDD*700BM6	6HE-35	787,380	664,940	607,580	552,780	500,080	404,220
LDD*800BM6	6GE-40	929,840	784,560	715,960	650,060	588,560	475,220
LDD*110BM6	6FE-50	1,110,560	944,620	862,520	785,880	712,600	578,380

Model	Compressor (2 Each)	Capacity BTUH @ 100°F Ambient by SST					
		40°F	30°F	25°F	20°F	15°F	5°F
LDD*300BM6	4PES-15	338,120	282,120	254,840	229,660	205,820	162,540
LDD*400BM6	4NES-20	405,680	339,080	307,160	277,420	249,240	198,160
LDD*440BM6	4JE-22	446,860	376,080	341,840	309,560	278,980	223,080
LDD*500BM6	4HE-25	519,600	439,720	400,860	363,560	328,880	264,700
LDD*600BM6	4GE-30	609,220	512,840	467,000	424,040	383,040	308,400
LDD*660BM6	6JE-33	675,640	564,960	512,900	463,700	416,980	331,980
LDD*700BM6	6HE-35	746,380	631,040	577,620	524,420	474,680	383,540
LDD*800BM6	6GE-40	882,300	744,940	680,040	618,240	559,300	451,460
LDD*110BM6	6FE-50	1,052,100	895,880	819,520	746,160	677,300	549,400

Model	Compressor (2 Each)	Capacity BTUH @ 110°F Ambient by SST					
		40°F	30°F	25°F	20°F	15°F	5°F
LDD*300BM6	4PES-15	301,000	250,220	226,680	203,960	182,600	143,440
LDD*400BM6	4NES-20	362,280	302,260	274,480	247,660	222,400	176,240
LDD*440BM6	4JE-22	397,960	335,680	305,280	276,180	248,780	198,360
LDD*500BM6	4HE-25	462,120	391,380	357,200	324,780	293,180	236,020
LDD*600BM6	4GE-30	543,300	458,080	417,640	378,780	342,240	275,060
LDD*660BM6	6JE-33	605,080	505,680	459,620	414,960	372,680	295,380
LDD*700BM6	6HE-35	662,920	562,320	513,840	467,620	423,820	341,740
LDD*800BM6	6GE-40	786,460	664,740	607,720	552,380	499,900	403,100
LDD*110BM6	6FE-50	932,980	797,380	729,400	665,980	604,520	490,520

NOTES:

LDD* = LDD is Adjustable Head Pressure Control, LDDS is Beacon II, LDD*PP is Parallel Piped

PERFORMANCE DATA: DUAL VERTICAL AIR DISCHARGE CONDENSING UNIT

Medium Temperature R-407A/R-407F

Model	Compressor (2 Each)	Capacity BTUH @ 90°F Ambient by SST					
		40°F	30°F	25°F	20°F	15°F	5°F
LDD*300BM6	4PES-15	374,180	305,500	274,140	244,520	217,560	169,380
LDD*400BM6	4NES-20	443,980	362,720	325,460	290,760	259,060	202,360
LDD*440BM6	4JE-22	487,760	399,500	358,380	320,480	285,420	222,500
LDD*500BM6	4HE-25	562,700	461,060	413,760	369,900	329,040	256,740
LDD*600BM6	4GE-30	670,740	549,080	493,120	441,160	393,660	308,400
LDD*660BM6	6JE-33	737,960	603,280	541,300	483,440	430,300	335,120
LDD*700BM6	6HE-35	836,860	689,680	622,420	557,960	498,100	391,500
LDD*800BM6	6GE-40	1,001,740	821,380	738,920	661,100	589,420	462,140
LDD*110BM6	6FE-50	1,183,120	972,220	873,720	782,880	698,340	547,900

Model	Compressor (2 Each)	Capacity BTUH @ 95°F Ambient by SST					
		40°F	30°F	25°F	20°F	15°F	5°F
LDD*300BM6	4PES-15	358,100	291,900	261,840	233,520	207,560	161,140
LDD*400BM6	4NES-20	425,580	347,220	311,560	278,120	247,580	192,940
LDD*440BM6	4JE-22	467,440	382,400	343,300	306,160	272,400	211,700
LDD*500BM6	4HE-25	539,180	441,220	395,900	353,300	314,280	244,220
LDD*600BM6	4GE-30	643,940	526,500	472,600	422,920	376,700	294,400
LDD*660BM6	6JE-33	707,440	577,260	517,780	461,820	410,780	318,900
LDD*700BM6	6HE-35	802,240	660,660	595,800	533,200	475,980	373,240
LDD*800BM6	6GE-40	961,580	787,180	707,880	633,220	564,380	441,140
LDD*110BM6	6FE-50	1,135,180	932,240	837,200	749,640	668,060	522,820

Model	Compressor (2 Each)	Capacity BTUH @ 100°F Ambient by SST					
		40°F	30°F	25°F	20°F	15°F	5°F
LDD*300BM6	4PES-15	342,300	278,860	249,740	222,440	197,560	152,880
LDD*400BM6	4NES-20	407,260	332,080	297,620	265,740	236,100	183,500
LDD*440BM6	4JE-22	447,060	364,880	327,320	291,860	259,400	200,960
LDD*500BM6	4HE-25	515,600	421,380	378,040	336,700	299,240	231,760
LDD*600BM6	4GE-30	617,060	503,860	452,160	404,320	359,780	280,460
LDD*660BM6	6JE-33	676,800	551,520	494,160	440,900	391,240	302,740
LDD*700BM6	6HE-35	767,480	631,660	569,160	509,500	453,880	355,100
LDD*800BM6	6GE-40	920,860	754,000	677,240	605,240	539,060	420,260
LDD*110BM6	6FE-50	1,087,020	891,540	800,840	716,460	637,860	498,000

Model	Compressor (2 Each)	Capacity BTUH @ 110°F Ambient by SST					
		40°F	30°F	25°F	20°F	15°F	5°F
LDD*300BM6	4PES-15	311,040	252,400	225,520	200,760	177,620	136,520
LDD*400BM6	4NES-20	370,980	301,500	269,780	240,540	213,220	164,800
LDD*440BM6	4JE-22	406,440	331,340	296,160	263,860	233,660	179,700
LDD*500BM6	4HE-25	468,400	382,000	341,540	304,240	269,380	207,120
LDD*600BM6	4GE-30	563,200	459,020	411,720	367,320	326,180	252,860
LDD*660BM6	6JE-33	616,340	500,460	447,840	398,380	352,500	270,800
LDD*700BM6	6HE-35	698,100	574,720	516,160	461,200	410,580	319,180
LDD*800BM6	6GE-40	841,320	687,700	616,040	550,160	488,660	378,880
LDD*110BM6	6FE-50	990,900	810,720	728,380	650,340	578,320	448,760

NOTES:

LDD* = LDD is Adjustable Head Pressure Control, LDDs is Beacon II, LDD*PP is Parallel Piped

PERFORMANCE DATA: DUAL VERTICAL AIR DISCHARGE CONDENSING UNIT

Medium Temperature R-407C

Model	Compressor (2 Each)	Capacity BTUH @ 90°F Ambient by SST					
		40°F	30°F	25°F	20°F	15°F	5°F
LDD*300BM6	4PES-15	337,040	273,140	244,060	217,280	192,480	148,920
LDD*400BM6	4NES-20	399,140	323,400	289,480	257,980	228,760	177,640
LDD*440BM6	4JE-22	445,520	360,000	321,180	285,640	252,420	194,040
LDD*500BM6	4HE-25	524,220	425,280	380,040	338,480	300,080	231,560
LDD*600BM6	4GE-30	623,840	506,400	453,400	404,660	359,580	279,660
LDD*660BM6	6JE-33	654,260	528,540	472,060	420,380	372,700	288,540
LDD*700BM6	6HE-35	749,220	610,960	547,260	488,960	435,340	339,740
LDD*800BM6	6GE-40	906,860	737,640	660,960	590,400	526,020	411,720
LDD*110BM6	6FE-50	1,062,240	862,040	772,320	688,960	612,900	477,840

Model	Compressor (2 Each)	Capacity BTUH @ 95°F Ambient by SST					
		40°F	30°F	25°F	20°F	15°F	5°F
LDD*300BM6	4PES-15	323,660	261,620	233,860	208,020	184,040	142,020
LDD*400BM6	4NES-20	383,740	310,460	277,800	247,120	219,100	169,800
LDD*440BM6	4JE-22	428,360	345,880	308,400	273,760	241,560	185,080
LDD*500BM6	4HE-25	504,580	408,480	365,060	324,940	287,520	221,580
LDD*600BM6	4GE-30	601,760	488,080	436,780	389,620	345,940	268,480
LDD*660BM6	6JE-33	629,380	507,840	453,680	403,420	357,380	276,120
LDD*700BM6	6HE-35	720,840	587,400	526,620	469,580	417,820	325,720
LDD*800BM6	6GE-40	874,680	710,840	637,060	568,800	506,640	396,220
LDD*110BM6	6FE-50	1,023,240	830,100	743,100	662,500	589,120	458,720

Model	Compressor (2 Each)	Capacity BTUH @ 100°F Ambient by SST					
		40°F	30°F	25°F	20°F	15°F	5°F
LDD*300BM6	4PES-15	310,620	250,280	223,620	198,480	175,520	135,100
LDD*400BM6	4NES-20	368,640	297,800	266,060	236,400	209,380	161,920
LDD*440BM6	4JE-22	411,200	331,300	295,340	261,580	230,680	176,120
LDD*500BM6	4HE-25	484,880	392,560	350,060	311,420	275,200	211,440
LDD*600BM6	4GE-30	579,560	469,680	420,420	374,500	332,260	257,260
LDD*660BM6	6JE-33	604,240	486,960	434,800	386,320	341,880	263,400
LDD*700BM6	6HE-35	692,220	563,640	504,760	449,960	400,280	311,580
LDD*800BM6	6GE-40	842,220	684,080	612,880	547,440	487,060	380,560
LDD*110BM6	6FE-50	983,900	797,920	713,560	635,920	565,140	439,480

Model	Compressor (2 Each)	Capacity BTUH @ 110°F Ambient by SST					
		40°F	30°F	25°F	20°F	15°F	5°F
LDD*300BM6	4PES-15	283,420	227,980	203,040	179,660	158,420	121,160
LDD*400BM6	4NES-20	336,940	271,900	242,140	214,860	190,060	145,880
LDD*440BM6	4JE-22	376,940	302,840	269,280	237,760	209,180	158,160
LDD*500BM6	4HE-25	445,500	359,460	320,660	284,080	250,580	191,300
LDD*600BM6	4GE-30	534,580	432,820	387,040	344,260	304,860	234,740
LDD*660BM6	6JE-33	553,940	445,380	396,740	351,780	310,680	238,060
LDD*700BM6	6HE-35	634,560	515,120	461,220	411,220	365,000	283,180
LDD*800BM6	6GE-40	776,600	630,080	564,480	503,540	447,640	349,080
LDD*110BM6	6FE-50	904,320	731,920	654,080	582,800	516,880	400,720

NOTES:

LDD* = LDD is Adjustable Head Pressure Control, LDDS is Beacon II, LDD*PP is Parallel Piped

PERFORMANCE DATA: DUAL VERTICAL AIR DISCHARGE CONDENSING UNIT

Medium Temperature R-448A/R-449A

Model	Compressor (2 Each)	Capacity BTUH @ 90°F Ambient by SST					
		40°F	30°F	25°F	20°F	15°F	5°F
LDD*300BM6	4PES-15	370,160	299,660	267,520	237,800	210,820	163,200
LDD*400BM6	4NES-20	442,500	358,860	321,240	286,200	254,360	198,240
LDD*440BM6	4JE-22	489,300	399,780	358,500	320,560	285,440	223,680
LDD*500BM6	4HE-25	571,440	468,820	421,360	377,700	337,200	265,720
LDD*600BM6	4GE-30	664,360	543,660	488,840	437,960	391,420	308,640
LDD*660BM6	6JE-33	733,260	596,240	534,440	476,800	424,340	331,400
LDD*700BM6	6HE-35	824,620	678,280	611,560	548,000	490,060	386,960
LDD*800BM6	6GE-40	964,740	791,100	712,660	639,240	571,440	451,800
LDD*110BM6	6FE-50	1,160,600	957,720	863,580	776,280	695,140	551,120

Model	Compressor (2 Each)	Capacity BTUH @ 95°F Ambient by SST					
		40°F	30°F	25°F	20°F	15°F	5°F
LDD*300BM6	4PES-15	355,180	286,920	256,080	227,380	201,380	155,420
LDD*400BM6	4NES-20	425,360	344,780	308,280	274,660	243,740	189,540
LDD*440BM6	4JE-22	470,520	384,080	344,620	307,500	273,780	213,840
LDD*500BM6	4HE-25	549,500	450,580	404,960	362,660	323,540	254,580
LDD*600BM6	4GE-30	638,780	522,680	469,680	420,900	375,780	295,920
LDD*660BM6	6JE-33	706,220	573,780	513,660	457,820	406,960	316,900
LDD*700BM6	6HE-35	793,060	652,060	587,680	526,320	470,300	370,740
LDD*800BM6	6GE-40	927,760	760,880	685,020	614,220	549,260	433,440
LDD*110BM6	6FE-50	1,115,340	920,380	830,300	745,900	667,680	528,980

Model	Compressor (2 Each)	Capacity BTUH @ 100°F Ambient by SST					
		40°F	30°F	25°F	20°F	15°F	5°F
LDD*300BM6	4PES-15	340,200	274,420	244,680	217,260	191,960	147,700
LDD*400BM6	4NES-20	408,300	330,780	295,400	263,000	233,160	180,880
LDD*440BM6	4JE-22	451,720	368,360	330,040	294,420	261,900	203,980
LDD*500BM6	4HE-25	527,400	432,300	388,160	347,560	310,100	243,360
LDD*600BM6	4GE-30	613,100	501,200	450,360	403,480	360,040	283,100
LDD*660BM6	6JE-33	679,720	550,740	492,820	439,140	389,580	302,380
LDD*700BM6	6HE-35	761,220	625,700	563,500	504,800	450,420	354,440
LDD*800BM6	6GE-40	890,600	730,460	657,200	589,060	526,520	414,960
LDD*110BM6	6FE-50	1,069,740	882,860	796,480	715,200	640,060	506,620

Model	Compressor (2 Each)	Capacity BTUH @ 110°F Ambient by SST					
		40°F	30°F	25°F	20°F	15°F	5°F
LDD*300BM6	4PES-15	310,840	249,760	222,080	196,820	173,440	132,380
LDD*400BM6	4NES-20	374,680	302,480	269,800	239,880	212,260	163,700
LDD*440BM6	4JE-22	413,900	336,520	301,280	268,520	238,140	184,240
LDD*500BM6	4HE-25	483,100	395,120	355,000	317,240	282,680	220,900
LDD*600BM6	4GE-30	561,280	458,400	411,940	368,460	328,340	257,300
LDD*660BM6	6JE-33	624,920	505,360	451,060	401,160	354,860	273,220
LDD*700BM6	6HE-35	698,260	573,260	515,220	460,860	410,580	321,660
LDD*800BM6	6GE-40	815,780	668,460	601,080	538,700	480,680	377,520
LDD*110BM6	6FE-50	978,040	806,580	727,600	653,200	584,700	461,300

PERFORMANCE DATA: DUAL VERTICAL AIR DISCHARGE CONDENSING UNIT

Low Temperature R-404A/R-507

Model	Compressor (2 Each)	Capacity BTUH @ 90°F Ambient by SST					
		0°F	-10°F	-15°F	-20°F	-30°F	-40°F
LDD*260BL6	4JE-15	217,640	172,080	151,560	132,600	98,920	70,360
LDD*300BL6	4HE-18	254,140	202,360	178,880	157,100	118,300	85,260
LDD*400BL6	4GE-23	294,000	235,320	209,020	184,420	140,440	102,560
LDD*440BL6	6JE-25	321,940	254,920	224,700	196,760	147,340	105,540
LDD*500BL6	6HE-28	378,060	300,080	265,180	232,840	175,440	126,720
LDD*600BL6	6GE-34	436,360	352,420	313,800	277,800	213,500	157,820
LDD*800BL6	6FE-44	529,260	424,240	377,040	332,680	253,200	184,200

Model	Compressor (2 Each)	Capacity BTUH @ 95°F Ambient by SST					
		0°F	-10°F	-15°F	-20°F	-30°F	-40°F
LDD*260BL6	4JE-15	206,800	163,260	143,620	125,280	93,120	65,800
LDD*300BL6	4HE-18	241,760	192,240	169,780	148,940	111,820	80,180
LDD*400BL6	4GE-23	279,500	223,760	198,760	175,280	133,300	97,060
LDD*440BL6	6JE-25	306,220	241,940	212,880	186,160	138,760	98,800
LDD*500BL6	6HE-28	359,680	285,120	251,700	220,760	165,740	119,000
LDD*600BL6	6GE-34	415,980	335,340	298,460	264,480	202,980	149,580
LDD*800BL6	6FE-44	503,720	403,740	358,760	316,300	239,840	173,560

Model	Compressor (2 Each)	Capacity BTUH @ 100°F Ambient by SST					
		0°F	-10°F	-15°F	-20°F	-30°F	-40°F
LDD*260BL6	4JE-15	195,880	154,400	135,640	118,120	87,360	61,240
LDD*300BL6	4HE-18	229,460	182,060	160,660	140,800	105,340	75,140
LDD*400BL6	4GE-23	264,860	212,080	188,440	166,040	126,040	91,620
LDD*440BL6	6JE-25	290,180	228,780	201,140	175,400	130,180	92,040
LDD*500BL6	6HE-28	340,620	270,080	238,200	208,620	156,020	111,400
LDD*600BL6	6GE-34	394,500	318,060	283,540	250,980	192,300	141,220
LDD*800BL6	6FE-44	477,140	383,400	340,240	299,740	226,540	162,840

Model	Compressor (2 Each)	Capacity BTUH @ 110°F Ambient by SST					
		0°F	-10°F	-15°F	-20°F	-30°F	-40°F
LDD*260BL6	4JE-15	174,280	136,740	119,580	103,840	75,940	52,300
LDD*300BL6	4HE-18	203,540	161,620	142,400	124,320	92,500	65,280
LDD*400BL6	4GE-23	235,500	188,980	167,580	147,640	111,800	80,860
LDD*440BL6	6JE-25	257,780	202,740	177,500	154,280	113,240	78,700
LDD*500BL6	6HE-28	303,080	239,800	211,080	184,120	136,600	96,140
LDD*600BL6	6GE-34	350,640	283,100	252,560	223,420	170,460	124,220
LDD*800BL6	6FE-44	425,460	341,380	302,620	266,140	199,600	141,360

NOTES:

LDD* = LDD is Adjustable Head Pressure Control, LDDS is Beacon II, LDD*PP is Parallel Piped

HEAD FAN REQUIRED

PERFORMANCE DATA: DUAL VERTICAL AIR DISCHARGE CONDENSING UNIT

Low Temperature R-407A/R-407F

Model	Compressor (2 Each)	Capacity BTUH @ 90°F Ambient by SST					
		0°F	-10°F	-15°F	-20°F	-30°F	-40°F
LDD*260BL6	4JE-15	192,460	145,600	124,660	105,240	71,040	41,680
LDD*300BL6	4HE-18	227,900	173,720	149,480	127,080	87,180	52,900
LDD*400BL6	4GE-23	268,340	206,600	179,100	153,460	107,700	68,020
LDD*440BL6	6JE-25	286,700	216,980	185,800	156,860	105,860	62,100
LDD*500BL6	6HE-28	343,740	261,640	225,000	191,180	131,080	79,500
LDD*600BL6	6GE-34	389,300	297,500	256,400	218,420	150,580	92,040
LDD*800BL6	6FE-44	474,500	363,120	313,360	267,320	185,340	114,660

Model	Compressor (2 Each)	Capacity BTUH @ 95°F Ambient by SST					
		0°F	-10°F	-15°F	-20°F	-30°F	-40°F
LDD*260BL6	4JE-15	183,240	137,940	117,800	99,120	66,340	38,320
LDD*300BL6	4HE-18	217,240	165,060	141,740	120,220	81,940	49,180
LDD*400BL6	4GE-23	256,620	197,240	170,580	145,940	102,000	64,060
LDD*440BL6	6JE-25	272,600	205,520	175,560	147,720	98,860	—
LDD*500BL6	6HE-28	327,600	248,620	213,380	180,860	123,180	73,920
LDD*600BL6	6GE-34	371,120	282,740	243,260	206,740	141,660	85,740
LDD*800BL6	6FE-44	453,300	345,740	297,820	253,560	174,900	—

Model	Compressor (2 Each)	Capacity BTUH @ 100°F Ambient by SST					
		0°F	-10°F	-15°F	-20°F	-30°F	-40°F
LDD*260BL6	4JE-15	173,940	130,360	110,900	93,100	61,800	35,020
LDD*300BL6	4HE-18	206,640	156,500	134,100	113,300	76,760	45,520
LDD*400BL6	4GE-23	244,820	187,760	162,180	138,500	96,420	60,140
LDD*440BL6	6JE-25	258,600	194,180	165,220	138,700	92,040	52,160
LDD*500BL6	6HE-28	311,640	235,740	201,840	170,500	115,420	—
LDD*600BL6	6GE-34	352,820	268,200	230,260	195,220	132,920	79,560
LDD*800BL6	6FE-44	431,660	328,480	282,460	239,960	164,600	100,100

Model	Compressor (2 Each)	Capacity BTUH @ 110°F Ambient by SST					
		0°F	-10°F	-15°F	-20°F	-30°F	-40°F
LDD*260BL6	4JE-15	155,620	115,520	97,640	81,340	52,860	28,720
LDD*300BL6	4HE-18	185,800	139,720	119,140	100,080	66,740	38,460
LDD*400BL6	4GE-23	221,820	169,260	145,740	124,040	85,540	52,640
LDD*440BL6	6JE-25	231,560	172,040	145,420	121,160	78,700	42,740
LDD*500BL6	6HE-28	280,560	210,460	179,380	150,620	100,380	57,860
LDD*600BL6	6GE-34	317,940	239,760	204,920	172,640	115,960	67,700
LDD*800BL6	6FE-44	389,580	294,780	252,460	213,520	144,640	86,220

NOTES:
 LDD* = LDD is Adjustable Head Pressure Control, LDDS is Beacon II, LDD*PP is Parallel Piped
 Head Fan Required for all operating conditions
 Liquid Injection via CIC is required

PERFORMANCE DATA: DUAL VERTICAL AIR DISCHARGE CONDENSING UNIT

Low Temperature R-407C

Model	Compressor (2 Each)	Capacity BTUH @ 90°F Ambient by SST					
		0°F	-10°F	-15°F	-20°F	-30°F	-40°F
CDD*260BL6	4JE-15	167,400	123,800	—	—	—	—
CDD*300BL6	4HE-18	199,260	148,520	—	—	—	—
CDD*400BL6	4GE-23	228,880	171,260	—	—	—	—
CDD*440BL6	6JE-25	249,580	184,580	—	—	—	—
CDD*500BL6	6HE-28	299,860	223,100	—	—	—	—
CDD*600BL6	6GE-34	342,020	255,540	—	—	—	—
CDD*800BL6	6FE-44	419,220	314,960	—	—	—	—

Model	Compressor (2 Each)	Capacity BTUH @ 95°F Ambient by SST					
		0°F	-10°F	-15°F	-20°F	-30°F	-40°F
LDD*260BL6	4JE-15	159,340	117,340	—	—	—	—
LDD*300BL6	4HE-18	190,380	141,200	—	—	—	—
LDD*400BL6	4GE-23	218,980	162,940	—	—	—	—
LDD*440BL6	6JE-25	237,580	174,940	—	—	—	—
LDD*500BL6	6HE-28	286,500	212,340	—	—	—	—
LDD*600BL6	6GE-34	326,480	243,080	—	—	—	—
LDD*800BL6	6FE-44	401,180	300,260	—	—	—	—

Model	Compressor (2 Each)	Capacity BTUH @ 100°F Ambient by SST					
		0°F	-10°F	-15°F	-20°F	-30°F	-40°F
LDD*260BL6	4JE-15	151,480	110,920	—	—	—	—
LDD*300BL6	4HE-18	181,540	134,060	—	—	—	—
LDD*400BL6	4GE-23	208,860	154,640	—	—	—	—
LDD*440BL6	6JE-25	225,840	165,360	—	—	—	—
LDD*500BL6	6HE-28	273,120	201,420	—	—	—	—
LDD*600BL6	6GE-34	311,160	230,620	—	—	—	—
LDD*800BL6	6FE-44	383,100	285,600	—	—	—	—

Model	Compressor (2 Each)	Capacity BTUH @ 110°F Ambient by SST					
		0°F	-10°F	-15°F	-20°F	-30°F	-40°F
LDD*260BL6	4JE-15	135,900	98,100	—	—	—	—
LDD*300BL6	4HE-18	163,700	119,720	—	—	—	—
LDD*400BL6	4GE-23	188,760	138,400	—	—	—	—
LDD*440BL6	6JE-25	202,600	146,240	—	—	—	—
LDD*500BL6	6HE-28	246,240	179,800	—	—	—	—
LDD*600BL6	6GE-34	281,400	206,280	—	—	—	—
LDD*800BL6	6FE-44	347,720	256,460	—	—	—	—

NOTES:

LDD* = LDD is Adjustable Head Pressure Control, LDDS is Beacon II, LDD*PP is Parallel Piped

HEAD FAN REQUIRED

PERFORMANCE DATA: DUAL VERTICAL AIR DISCHARGE CONDENSING UNIT

Low Temperature R-448A/R-449A

Model	Compressor (2 Each)	Capacity BTUH @ 90°F Ambient by SST					
		0°F	-10°F	-15°F	-20°F	-30°F	-40°F
LDD*260BL6	4JE-15	197,840	151,860	131,660	113,100	80,940	53,960
LDD*300BL6	4HE-18	232,360	179,460	156,160	134,840	97,540	66,140
LDD*400BL6	4GE-23	269,980	210,020	183,660	159,360	116,780	80,600
LDD*440BL6	6JE-25	293,000	224,980	195,200	167,920	120,780	81,360
LDD*500BL6	6HE-28	343,940	265,400	230,880	199,400	144,420	98,360
LDD*600BL6	6GE-34	404,300	316,340	277,580	241,860	179,080	125,540
LDD*800BL6	6FE-44	485,960	378,260	330,800	286,920	209,520	143,700

Model	Compressor (2 Each)	Capacity BTUH @ 95°F Ambient by SST					
		0°F	-10°F	-15°F	-20°F	-30°F	-40°F
LDD*260BL6	4JE-15	189,200	144,780	125,260	107,320	76,280	—
LDD*300BL6	4HE-18	222,480	171,460	148,980	128,440	92,440	—
LDD*400BL6	4GE-23	258,900	201,100	175,740	152,340	111,340	—
LDD*440BL6	6JE-25	280,300	214,560	185,740	159,360	113,840	—
LDD*500BL6	6HE-28	329,420	253,560	220,240	189,820	136,700	—
LDD*600BL6	6GE-34	388,280	303,520	266,180	231,680	170,880	—
LDD*800BL6	6FE-44	466,620	362,760	316,600	274,140	199,100	—

Model	Compressor (2 Each)	Capacity BTUH @ 100°F Ambient by SST					
		0°F	-10°F	-15°F	-20°F	-30°F	-40°F
LDD*260BL6	4JE-15	180,740	137,720	118,860	101,540	71,600	—
LDD*300BL6	4HE-18	212,600	163,480	141,820	122,020	87,340	—
LDD*400BL6	4GE-23	247,780	192,340	167,820	145,320	105,860	—
LDD*440BL6	6JE-25	267,660	204,140	176,320	150,820	106,920	—
LDD*500BL6	6HE-28	314,860	241,720	209,560	180,000	128,940	—
LDD*600BL6	6GE-34	372,180	290,560	254,620	221,360	162,620	—
LDD*800BL6	6FE-44	447,060	346,820	302,280	261,220	188,560	—

Model	Compressor (2 Each)	Capacity BTUH @ 110°F Ambient by SST					
		0°F	-10°F	-15°F	-20°F	-30°F	-40°F
LDD*260BL6	4JE-15	163,620	123,680	106,060	90,080	—	—
LDD*300BL6	4HE-18	192,880	147,580	127,560	109,160	—	—
LDD*400BL6	4GE-23	225,760	174,620	152,080	131,420	—	—
LDD*440BL6	6JE-25	242,780	183,500	157,400	133,880	—	—
LDD*500BL6	6HE-28	285,720	217,960	188,140	160,760	—	—
LDD*600BL6	6GE-34	339,180	264,500	231,120	200,280	—	—
LDD*800BL6	6FE-44	407,060	314,640	273,320	235,160	—	—

NOTES:

LDD* = LDD is Adjustable Head Pressure Control, LDDS is Beacon II, LDD*PP is Parallel Piped Head Fan Required for all operating conditions
 Maximum Suction Gas Superheat <=35°F

ELECTRICAL DATA: DUAL VERTICAL AIR DISCHARGE CONDENSING UNIT

208-230 Volts

Model	Compressor Model (2 Each)	Condensing Unit						Remote Loads ‡			
		Compressor		Condenser		Air Defrost or Beacon II		Evap. Fan Amps	Defrost Htrs. Amps	Electric Defrost	
		RLA	LRA	No. Fans	FLA	MCA	MOPD			MCA	MOPD
LDD*300BM6	4PES-15	53.8	294.0	4	19.2	141.0	175.0	Contact Factory for System Electrical Ratings			
LDD*400BM6	4NES-20	63.8	352.0	4	28	172.0	225.0				
LDD*440BM6	4JE-22	68.1	352.0	4	28	182.0	225.0				
LDD*500BM6	4HE-25	83.7	436.0	4	28	231.0	300.0				
LDD*600BM6	4GE-30	99.2	490.0	6	42	266.0	350.0				
LDD*660BM6	6JE-33	110.6	550.0	6	42	291.0	400.0				
LDD*700BM6	6HE-35	116.2	550.0	6	42	318.0	400.0				
LDD*800BM6	6GE-40	156.0	700.0	8	56	407.0	500.0				
LDD*110BM6	6FE-50	158.8	950.0	8	56	414.0	500.0				
LDD*260BL6	4JE-15	55.3	352.0	4	19.2	144.0	175.0				
LDD*300BL6	4HE-18	59.8	352.0	4	19.2	154.0	200.0				
LDD*400BL6	4GE-23	63.8	352.0	4	19.2	163.0	225.0				
LDD*440BL6	6JE-25	78.5	490.0	4	28	205.0	250.0				
LDD*500BL6	6HE-28	85.8	490.0	4	28	221.0	300.0				
LDD*600BL6	6GE-34	93.6	490.0	4	28	239.0	300.0				
LDD*800BL6	6FE-44	107.8	700.0	6	42	285.0	350.0				

460/3/60 Volts

Model	Compressor Model (2 Each)	Condensing Unit						Remote Loads ‡			
		Compressor		Condenser		Air Defrost or Beacon II		Evap. Fan Amps	Defrost Htrs. Amps	Electric Defrost	
		RLA	LRA	No. Fans	FLA	MCA	MOPD			MCA	MOPD
LDD*300BM6	4PES-15	24.4	147.0	4	9.6	65.0	80.0	Contact Factory for System Electrical Ratings			
LDD*400BM6	4NES-20	28.8	176.0	4	14	79.0	100.0				
LDD*440BM6	4JE-22	30.8	176.0	4	14	84.0	110.0				
LDD*500BM6	4HE-25	37.8	218.0	4	14	107.0	125.0				
LDD*600BM6	4GE-30	44.9	245.0	6	21	122.0	150.0				
LDD*660BM6	6JE-33	50.0	275.0	6	21	134.0	175.0				
LDD*700BM6	6HE-35	52.6	275.0	6	21	147.0	175.0				
LDD*800BM6	6GE-40	70.5	350.0	8	28	187.0	250.0				
LDD*110BM6	6FE-50	71.8	425.0	8	28	190.0	250.0				
LDD*260BL6	4JE-15	25.0	176.0	4	9.6	66.0	90.0				
LDD*300BL6	4HE-18	27.1	176.0	4	9.6	71.0	90.0				
LDD*400BL6	4GE-23	28.8	176.0	4	9.6	75.0	100.0				
LDD*440BL6	6JE-25	35.5	245.0	4	14	94.0	125.0				
LDD*500BL6	6HE-28	38.8	245.0	4	14	102.0	125.0				
LDD*600BL6	6GE-34	42.3	245.0	4	14	110.0	150.0				
LDD*800BL6	6FE-44	48.7	350.0	6	21	131.0	175.0				

NOTES:

LDD* = LDD is Adjustable Head Pressure Control, LDDS is Beacon II, LDD*PP is Parallel Piped
 ‡ = Condensing unit data plate ratings will be based on actual system match.
 Ratings shown at 60Hz. Consult factory for 50Hz applications.

Beacon II™ and Air Defrost Units do not carry any of the evaporator fan or heater loads.
 Power is supplied directly to the evaporators and does not go through the condensing unit.

An evaporator heater hold out relay (option) is recommended when two or more evaporators are connected to a single (BLV/BBV) condensing unit to allow termination on coils that have already defrosted to prevent unnecessary steaming. This option is not needed on Beacon II™ (BDVS) systems wired for a Master / Slave operation. Power is supplied to each Beacon evaporator. Each coil terminates its own defrost. Refrigeration will not start until all coils have terminated defrost.

ELECTRICAL DATA: DUAL VERTICAL AIR DISCHARGE CONDENSING UNIT

575/3/60 Volts

Model	Compressor Model (2 Each)	Condensing Unit						Remote Loads ‡				
		Compressor		Condenser		Air Defrost or Beacon II		Evap. Fan Amps	Defrost Htrs. Amps	Electric Defrost		
		RLA	LRA	No. Fans	FLA	MCA	MOPD			MCA	MOPD	
LDD*300BM6	4PES-15	19.6	117.0	4	9.2	54.0	70.0	Contact Factory for System Electrical Ratings				
LDD*400BM6	4NES-20	23.6	140.0	4	11.2	65.0	80.0					
LDD*440BM6	4JE-22	24.4	140.0	4	11.2	67.0	90.0					
LDD*500BM6	4HE-25	30.1	174.0	4	11.2	85.0	110.0					
LDD*600BM6	4GE-30	35.9	196.0	6	16.8	98.0	125.0					
LDD*660BM6	6JE-33	39.7	220.0	6	16.8	107.0	125.0					
LDD*700BM6	6HE-35	41.7	220.0	6	16.8	117.0	150.0					
LDD*800BM6	6GE-40	56.4	280.0	8	22.4	150.0	200.0					
LDD*110BM6	6FE-50	57.1	340.0	8	22.4	151.0	200.0					
LDD*260BL6	4JE-15	20.0	140.0	4	9.2	55.0	70.0					
LDD*300BL6	4HE-18	21.7	140.0	4	9.2	58.0	70.0					
LDD*400BL6	4GE-23	23.1	140.0	4	9.2	62.0	80.0					
LDD*440BL6	6JE-25	28.4	196.0	4	11.2	76.0	100.0					
LDD*500BL6	6HE-28	31.0	196.0	4	11.2	82.0	110.0					
LDD*600BL6	6GE-34	33.3	196.0	4	11.2	87.0	110.0					
LDD*800BL6	6FE-44	39.1	280.0	6	16.8	105.0	125.0					

NOTES:

LDD* = LDD is Adjustable Head Pressure Control, LDDS is Beacon II, LDD*PP is Parallel Piped
 ‡ = Condensing unit data plate ratings will be based on actual system match.
 Ratings shown at 60Hz. Consult factory for 50Hz applications.

Beacon II™ and Air Defrost Units do not carry any of the evaporator fan or heater loads.
 Power is supplied directly to the evaporators and does not go through the condensing unit.

An evaporator heater hold out relay (option) is recommended when two or more evaporators are connected to a single (BLV/BBV) condensing unit to allow termination on coils that have already defrosted to prevent unnecessary steaming. This option is not needed on Beacon II™ (BDVS) systems wired for a Master / Slave operation. Power is supplied to each Beacon evaporator. Each coil terminates its own defrost. Refrigeration will not start until all coils have terminated defrost.

UNIT SPECIFICATIONS: DUAL VERTICAL AIR DISCHARGE CONDENSING UNIT

Medium and Low Temperature

Model	Compressor Model (2 Each)	HP	Connections (in.)				Receiver 90% Full (Lbs)			Dimension A (in.)	Net Wt. Lbs (Lbs)
			Standard (2 Each)		Parallel Piped		Standard (2 Each)	Optional (2 Each)	Parallel Piped		
			Liquid	Suction	Liquid	Suction					
LDD*300BM6	4PES-15	30	7/8	1 5/8	1 1/8	2 1/8	123	81	188	144	3,260
LDD*400BM6	4NES-20	40	7/8	1 5/8	1 1/8	2 1/8	123	81	188	171	3,620
LDD*440BM6	4JE-22	44	1 1/8	2 1/8	1 1/8	2 1/8	123	81	269	171	3,760
LDD*500BM6	4HE-25	50	1 1/8	2 1/8	1 3/8	2 5/8	123	81	269	171	3,800
LDD*600BM6	4GE-30	60	1 1/8	2 1/8	1 3/8	2 5/8	188	123	269	226	4,620
LDD*660BM6	6JE-33	66	1 1/8	2 1/8	1 3/8	2 5/8	188	123	269	226	4,640
LDD*700BM6	6HE-35	70	1 1/8	2 1/8	1 5/8	3 1/8	188	123	363	226	4,640
LDD*800BM6	6GE-40	80	1 1/8	2 1/8	1 5/8	3 1/8	188	123	363	281	5,740
LDD*110BM6	6FE-50	100	1 1/8	2 1/8	1 5/8	3 1/8	188	123	363	281	5,780
LDD*260BL6	4JE-15	26	7/8	1 5/8	1 1/8	2 1/8	81	29	188	144	3,120
LDD*300BL6	4HE-18	30	7/8	1 5/8	1 1/8	2 5/8	81	29	188	144	3,160
LDD*400BL6	4GE-23	40	7/8	2 1/8	1 1/8	2 5/8	81	29	188	144	3,280
LDD*440BL6	6JE-25	44	7/8	2 1/8	1 3/8	3 1/8	123	81	269	171	3,620
LDD*500BL6	6HE-28	50	1 1/8	2 1/8	1 3/8	3 1/8	123	81	269	171	3,800
LDD*600BL6	6GE-34	60	1 1/8	2 1/8	1 3/8	3 1/8	123	81	269	171	3,800
LDD*800BL6	6FE-44	80	1 1/8	2 1/8	1 3/8	3 1/8	188	81	363	226	4,620

NOTES:

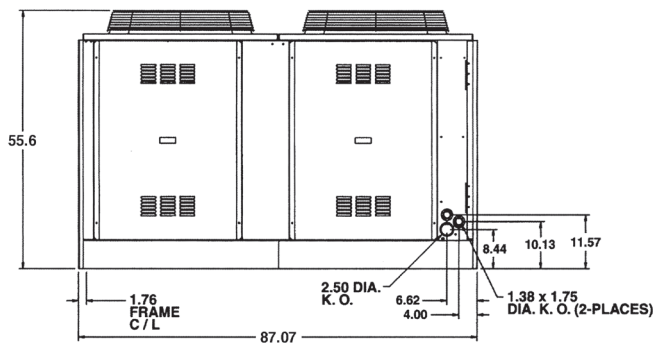
LDD* = LDD is Adjustable Head Pressure Control, LDDS is Beacon II, LDD*PP is Parallel Piped

AWEF VALUES:

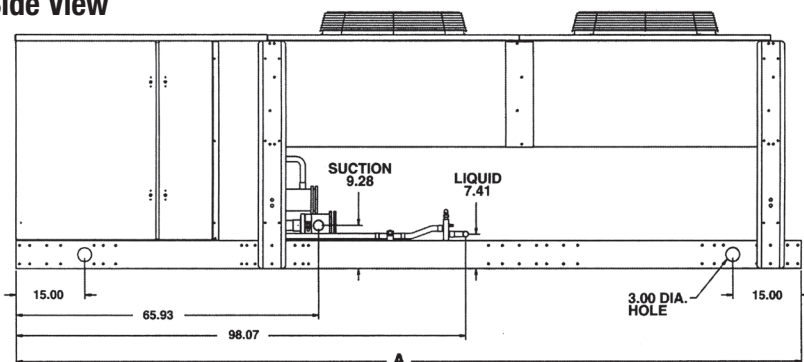
MEDIUM TEMPERATURE CONDENSING UNITS

Model	Outdoor / Parallel Piped / Beacon II			
	R-404A/ R-507A	R-407A/ R-407F	R-407C	R-448A/ R-449A
LDD*300BM6	8.94	8.22	8.14	7.83
LDD*400BM6	9.26	8.54	8.47	8.19
LDD*440BM6	9.40	8.65	7.73	8.23
LDD*500BM6	9.51	8.85	7.92	8.41
LDD*600BM6	9.15	8.53	7.61	8.04
LDD*660BM6	9.48	8.66	7.57	8.13
LDD*700BM6	9.26	8.82	7.76	8.26
LDD*800BM6	9.16	8.70	7.61	8.03
LDD*110BM6	9.23	8.91	7.78	8.34

End View



Side View





2175 West Park Place Blvd. · Stone Mountain, GA 30087
Phone: 800.537.7775 · Fax: 770.465.5900
heatcrafrpd.com



Since product improvement is a continuing effort, we reserve the right to make changes in specifications without notice.

LB-CUBZTB-0118 | Version 001