



## FlexPack

Multiple Compressor Condensing Units

Technical Guide



# BOHN

# Table of Contents

Construction . . . . .	3
System Features . . . . .	3
Standard Compressor Module Components . . . . .	4
Optional Compressor Module Components . . . . .	4
Capacity (BTUH) Data, Scroll Hermetic	
Scroll Hermetic, R-404A, Medium Temperature . . . . .	5-6
Scroll Hermetic, R-407A, Medium Temperature . . . . .	7
Scroll Hermetic, R-407C, Medium Temperature . . . . .	8
Scroll Hermetic, R-448A/R-449A, Medium Temperature . . . . .	9
Scroll Hermetic, R-404A, Low Temperature . . . . .	10
Scroll Hermetic, R-407A/R-407F, Low Temperature . . . . .	11
Scroll Hermetic, R-407C, Low Temperature . . . . .	12
Scroll Hermetic, R-448A/R-449A, Low Temperature . . . . .	13
Physical Specifications Scroll Hermetic Compressors . . . . .	14
Electrical Data, Scroll Hermetic Compressors . . . . .	15
Capacity (BTUH) Data, Hermetic	
Hermetic, R-404A, Extended Temperature . . . . .	16
Hermetic, R-407C, Extended Temperature . . . . .	17
Hermetic, R-448A/R-449A, Extended Temperature . . . . .	18
Hermetic, R-404A, Low Temperature . . . . .	19
Physical Specifications Hermetic Compressors . . . . .	20
Electrical Data, Hermetic Compressors . . . . .	21
Dimensional Drawings . . . . .	22

## **FlexPack™ was designed for energy savings, reduced installation time and expense, and a better return on your investment.**

### **Cabinet & Construction**

The industrial grade cabinet is constructed of heavy gauge painted steel. The top and sides of the unit can be easily removed for convenient access to electrical and mechanical components. The unit also has a rooftop AC- style appearance to simply blend into the existing environment along with flush mounted fans for a sleek look. In addition, the unit has a clean and intuitive electrical and piping layout.

The units are also Beacon II™ capable and were designed with state-of-the-art energy efficient motors.

- Single unit to place on roof reduces installation cost
- Small footprint requires less room on the roof or in the back of the store
- Single-point wiring and piping lowers installation cost and provides a single penetration point through the roof
- Significantly reduces air conditioning energy costs by reducing the heat load in the space through the use of remote condenser circuits
- Quieter sound with fewer condenser fans and the reduced noise level of vertical fans

### **System Features**

- Up to 3 compressors, 1/2 - 6 HP Hermetic or Scroll
- RST, CF, CS, ZF, ZS standard compressors
- 230 volt/1-phase/60 hertz and 230 volt/3-phase/60 hertz units available
- 1, 2 or 3 condenser fan configurations
- R-404A, R-407A, R-407C, R-407F, R-448A and R-449A for medium or low temperature applications
- Remote condenser circuits for ice machine, drink dispenser, display cases and more
- Capacity range
  - 1 Fan = 6 HP (up to 2.5 to 3 HP per side)
  - 2 Fan = 12 HP (up to 5 to 6 HP per side)
  - 3 Fan = 18 HP (up to 6 to 7.5 HP per side)
- Electrical component layout lines up with compressor module
- Beacon II™ or conventional mechanical controls available
- Energy efficient, flush mounted 18" fans with 1100 RPM motors
- Painted steel cabinet
- Aluminum fin coils are standard; copper fin coils and polyester coated coils are optional
- Convenient hinged access panels for easy access
- UL listed for US and Canada

## Compressor Module Components

### Standard

- Fixed high pressure switch
- Fixed low pressure switch on medium and high temperature compressor modules
- Adjustable low pressure switch on low temperatures modules
- Suction service ports on all modules
- Suction accumulator (CS & CF extended temperature compressors)
- Vertical receiver in 6" x 12" or 6" x 27" sizes
- Sealed type liquid line drier
- Sealed type suction filter
- Head pressure control valve
- Crank case heater
- Sight glass

### Optional

- Remote condenser circuit
- Remote condenser circuit, pre-charged R-404A
- Polyester coated fins
- Copper finned coil
- Individual compressor fusing, 230V
- Individual compressor circuit breakers, 230V
- Adjustable low pressure switch on medium and high temperature compressor modules
- Fused disconnect - 30, 60 or 100 amps
- Beacon II™ refrigeration controller
- Air or electric defrost timer
- Liquid line solenoid valve & pump down switch



# PERFORMANCE DATA: SCROLL HERMETIC MODELS

## Capacity (BTUH) Data

Scroll Hermetic, R-404A, Medium Temperature

### 90°F Ambient

HP	Compressor	Saturated Suction Temperature						
		35°F	30°F	25°F	20°F	10°F	0°F	-5°F
1	ZS09KAE	14200	12830	11560	10410	8400	6730	6020
1 1/2	ZS13KAE	20,300	18,280	16,470	14,840	12,040	9,720	8,680
2	ZS15KAE	23,290	21,030	18,960	17,070	13,770	11,040	9,870
2 1/2	ZS19KAE	26,110	23,580	21,260	19,140	15,440	12,380	11,060
3	ZS21KAE	35,060	31,670	28,550	25,700	20,730	16,620	14,850
3 1/2	ZS26KAE	39,010	35,230	31,770	28,600	23,070	18,500	16,530
4 1/2	ZS30KAE	44,360	40,060	36,120	32,520	26,230	21,030	18,790
5	ZS33KAE	49,790	45,340	41,210	37,380	30,470	24,300	21,400
5 1/2	ZS38KAE	56,850	51,780	47,080	42,730	35,010	28,470	25,600
6	ZS45K4E	68,140	62,010	56,340	51,130	41,930	34,200	30,810

### 95°F Ambient

HP	Compressor	Saturated Suction Temperature						
		35°F	30°F	25°F	20°F	10°F	0°F	-5°F
1	ZS09KAE	13510	12190	10990	9900	7990	6410	5740
1 1/2	ZS13KAE	19,410	17,480	15,740	14,190	11,520	9,310	8,310
2	ZS15KAE	22,150	20,000	18,030	16,230	13,100	10,520	9,410
2 1/2	ZS19KAE	24,830	22,420	20,220	18,200	14,690	11,790	10,550
3	ZS21KAE	33,340	30,110	27,140	24,430	19,720	15,830	14,160
3 1/2	ZS26KAE	37,100	33,500	30,200	27,190	21,940	17,620	15,760
4 1/2	ZS30KAE	42,190	38,090	34,340	30,910	24,950	20,030	17,920
5	ZS33KAE	47,360	43,200	39,350	35,750	29,210	23,280	20,460
5 1/2	ZS38KAE	54,200	49,350	44,860	40,710	33,350	27,120	24,390
6	ZS45K4E	64,990	59,120	53,710	48,740	39,980	32,640	29,430

### 100°F Ambient

HP	Compressor	Saturated Suction Temperature						
		35°F	30°F	25°F	20°F	10°F	0°F	-5°F
1	ZS09KAE	12790	11550	10410	9370	7560	6080	5440
1 1/2	ZS13KAE	18,510	16,660	15,000	13,520	10,980	8,870	7,930
2	ZS15KAE	20,980	18,940	17,070	15,360	12,400	9,970	8,920
2 1/2	ZS19KAE	23,520	21,230	19,140	17,230	13,910	11,180	10,010
3	ZS21KAE	31,590	28,510	25,700	23,130	18,670	15,010	13,430
3 1/2	ZS26KAE	35,140	31,720	28,590	25,730	20,770	16,700	14,950
4 1/2	ZS30KAE	39,960	36,070	32,510	29,260	23,620	18,990	17,000
5	ZS33KAE	45,050	41,190	37,590	34,230	28,060	22,390	19,640
5 1/2	ZS38KAE	51,500	46,870	42,590	38,640	31,640	25,740	23,160
6	ZS45K4E	61,790	56,190	51,040	46,310	38,000	31,050	28,020

# PERFORMANCE DATA: SCROLL HERMETIC MODELS

## Capacity (BTUH) Data

Scroll Hermetic, R-404A, Medium Temperature

110°F Ambient

HP	Compressor	Saturated Suction Temperature						
		35°F	30°F	25°F	20°F	10°F	0°F	-5°F
1	ZS09KAE	11310	10190	9180	8250	6660	5360	4800
1 1/2	ZS13KAE	16,640	14,950	13,440	12,100	9,820	7,930	7,080
2	ZS15KAE	18,540	16,710	15,050	13,530	10,920	8,780	7,870
2 1/2	ZS19KAE	20,790	18,740	16,870	15,170	12,240	9,850	8,830
3	ZS21KAE	27,920	25,160	22,650	20,370	16,440	13,230	11,850
3 1/2	ZS26KAE	31,060	28,000	25,210	22,670	18,290	14,720	13,190
4 1/2	ZS30KAE	35,320	31,840	28,660	25,780	20,800	16,730	15,000
5	ZS33KAE	40,890	37,630	34,570	31,680	26,270	21,090	18,500
5 1/2	ZS38K4E	45,930	41,750	37,900	34,350	28,110	22,870	20,580
6	ZS45K4E	55,220	50,170	45,540	41,300	33,900	27,760	25,090

Note: All capacity values based on fixed 20°F TD.

40°F Maximum Return Gas

20°F Maximum Superheat

# PERFORMANCE DATA: SCROLL HERMETIC MODELS

## Capacity (BTUH) Data

Scroll Hermetic, R-407A, Medium Temperature

### 90°F Ambient

HP	Compressor	Saturated Suction Temperature						
		35°F	30°F	25°F	20°F	10°F	0°F	-5°F
1	ZS09KAE	14100	12710	11460	10330	8370	6730	6000
1 1/2	ZS13KAE	19,220	17,330	15,630	14,090	11,420	9,180	8,180
2	ZS15KAE	23,170	20,900	18,840	16,980	13,760	11,070	9,860
2 1/2	ZS19KAE	26,140	23,580	21,260	19,160	15,530	12,490	11,130
3	ZS21KAE	34,840	31,410	28,260	25,360	20,230	15,830	13,860
3 1/2	ZS26KAE	38,670	34,870	31,370	28,150	22,450	17,570	15,380
4 1/2	ZS29KAE	43,320	39,060	35,140	31,540	25,150	19,690	17,230
5	ZS33KAE	48,810	44,030	39,700	35,780	29,000	23,320	20,790

### 95°F Ambient

HP	Compressor	Saturated Suction Temperature						
		35°F	30°F	25°F	20°F	10°F	0°F	-5°F
1	ZS09KAE	13580	12250	11040	9950	8060	6490	5780
1 1/2	ZS13KAE	18,520	16,700	15,050	13,570	10,990	8,840	7,880
2	ZS15KAE	22,330	20,130	18,150	16,350	13,250	10,660	9,500
2 1/2	ZS19KAE	25,190	22,720	20,480	18,450	14,960	12,030	10,720
3	ZS21KAE	33,570	30,280	27,250	24,460	19,500	15,220	13,290
3 1/2	ZS26KAE	37,260	33,610	30,250	27,150	21,640	16,900	14,750
4 1/2	ZS29KAE	41,740	37,650	33,880	30,410	24,250	18,930	16,530
5	ZS33KAE	47,040	42,420	38,240	34,460	27,920	22,460	20,010

### 100°F Ambient

HP	Compressor	Saturated Suction Temperature						
		35°F	30°F	25°F	20°F	10°F	0°F	-5°F
1	ZS09KAE	13060	11780	10610	9560	7750	6240	5560
1 1/2	ZS13KAE	17,810	16,060	14,470	13,040	10,570	8,500	7,580
2	ZS15KAE	21,470	19,350	17,440	15,720	12,740	10,250	9,130
2 1/2	ZS19KAE	24,230	21,840	19,680	17,740	14,380	11,570	10,310
3	ZS21KAE	32,280	29,140	26,240	23,570	18,800	14,670	12,780
3 1/2	ZS26KAE	35,830	32,340	29,130	26,160	20,870	16,280	14,190
4 1/2	ZS29KAE	40,150	36,240	32,630	29,300	23,380	18,240	15,890
5	ZS33KAE	45,240	40,780	36,750	33,120	26,840	21,600	19,250

### 110°F Ambient

HP	Compressor	Saturated Suction Temperature						
		35°F	30°F	25°F	20°F	10°F	0°F	-5°F
1	ZS09KAE	12010	10820	9750	8780	7130	5740	-
1 1/2	ZS13KAE	16,370	14,750	13,290	11,980	9,720	7,830	-
2	ZS15KAE	19,730	17,780	16,020	14,440	11,710	9,440	-
2 1/2	ZS19KAE	22,270	20,060	18,080	16,290	13,220	10,650	-
3	ZS21KAE	29,810	26,980	24,360	21,950	17,620	13,810	-
3 1/2	ZS26KAE	33,090	29,940	27,040	24,360	19,560	15,330	-
4 1/2	ZS29KAE	37,070	33,550	30,300	27,290	21,910	17,180	-
5	ZS33KAE	41,580	37,460	33,750	30,420	24,680	19,890	-

Note: All capacity values based on fixed 20°F TD.

20°F Maximum Superheat

# PERFORMANCE DATA: SCROLL HERMETIC MODELS

## Capacity (BTUH) Data

Scroll Hermetic, R-407C, Medium Temperature

### 90°F Ambient

HP	Compressor	Saturated Suction Temperature						
		35°F	30°F	25°F	20°F	10°F	0°F	-5°F
1	ZS09KAE	13550	12260	11040	9900	7780	5840	4920
1 1/2	ZS13KAE	18,470	16,710	15,060	13,500	10,610	7,970	6,710
2	ZS15KAE	22,260	20,150	18,150	16,270	12,790	9,600	8,090
2 1/2	ZS19KAE	25,120	22,730	20,480	18,360	14,430	10,840	9,130
3	ZS21KAE	33,740	30,530	27,510	24,650	19,380	14,550	12,260
3 1/2	ZS26KAE	37,430	33,870	30,520	27,350	21,500	16,150	13,600
4 1/2	ZS29KAE	41,950	37,960	34,210	30,660	24,100	18,100	15,250
5	ZS33KAE	46,500	42,080	37,910	33,980	26,710	20,060	16,900

### 95°F Ambient

HP	Compressor	Saturated Suction Temperature						
		35°F	30°F	25°F	20°F	10°F	0°F	-5°F
1	ZS09KAE	13150	11900	10730	9620	7550	5630	4710
1 1/2	ZS13KAE	17,920	16,230	14,630	13,110	10,290	7,670	6,420
2	ZS15KAE	21,610	19,560	17,630	15,810	12,400	9,250	7,740
2 1/2	ZS19KAE	24,380	22,080	19,900	17,840	13,990	10,440	8,740
3	ZS21KAE	32,740	29,650	26,720	23,950	18,790	14,020	11,730
3 1/2	ZS26KAE	36,330	32,890	29,650	26,570	20,850	15,550	13,020
4 1/2	ZS29KAE	40,710	36,870	33,230	29,790	23,370	17,430	14,590
5	ZS33KAE	45,130	40,860	36,830	33,010	25,900	19,320	16,170

### 100°F Ambient

HP	Compressor	Saturated Suction Temperature						
		35°F	30°F	25°F	20°F	10°F	0°F	-5°F
1	ZS09KAE	12750	11550	10410	9330	7300	5400	—
1 1/2	ZS13KAE	17,380	15,740	14,190	12,720	9,950	7,360	6,100
2	ZS15KAE	20,950	18,980	17,110	15,330	11,990	8,870	7,360
2 1/2	ZS19KAE	23,640	21,410	19,310	17,300	13,530	10,010	8,300
3	ZS21KAE	31,750	28,760	25,930	23,230	18,180	13,440	11,150
3 1/2	ZS26KAE	35,220	31,910	28,760	25,770	20,160	14,910	12,370
4 1/2	ZS29KAE	39,480	35,760	32,240	28,890	22,600	16,720	13,870
5	ZS33KAE	43,750	39,640	35,730	32,020	25,050	18,530	15,370

### 110°F Ambient

HP	Compressor	Saturated Suction Temperature						
		35°F	30°F	25°F	20°F	10°F	0°F	-5°F
1	ZS09KAE	11940	10820	9750	8720	6760	—	—
1 1/2	ZS13KAE	16,280	14,750	13,290	11,880	9,210	6,640	-
2	ZS15KAE	19,620	17,780	16,020	14,330	11,100	8,010	-
2 1/2	ZS19KAE	22,140	20,060	18,070	16,170	12,530	9,040	-
3	ZS21KAE	29,730	26,940	24,270	21,710	16,830	12,140	-
3 1/2	ZS26KAE	32,990	29,890	26,930	24,090	18,670	13,460	-
4 1/2	ZS29KAE	36,970	33,500	30,180	27,000	20,920	15,090	-
5	ZS33KAE	40,980	37,130	33,450	29,920	23,190	16,730	-

Note: All capacity values based on fixed 20°F TD.  
20°F Maximum Superheat



# PERFORMANCE DATA: SCROLL HERMETIC MODELS

## Capacity (BTUH) Data

Scroll Hermetic, R-448A/R-449A, Medium Temperature

### 90°F Ambient

HP	Compressor	Saturated Suction Temperature						
		35°F	30°F	25°F	20°F	10°F	0°F	-5°F
1	ZS09KAE	13590	12130	10840	9700	7800	6280	5630
1 1/2	ZS13KAE	18,550	16,590	14,870	13,350	10,810	8,740	7,810
2	ZS15KAE	22,370	20,010	17,930	16,100	13,040	10,540	9,420
2 1/2	ZS19KAE	25,140	22,480	20,150	18,090	14,660	11,850	10,580
3	ZS21KAE	35,950	32,540	29,370	26,410	21,090	16,470	14,380
3 1/2	ZS26KAE	39,340	35,340	31,640	28,250	22,340	17,560	15,570
4 1/2	ZS29KAE	45,620	41,300	37,270	33,520	26,770	20,900	18,250
5	ZS33KAE	50,330	45,560	41,110	36,980	29,530	23,060	20,130

### 95°F Ambient

HP	Compressor	Saturated Suction Temperature						
		35°F	30°F	25°F	20°F	10°F	0°F	-5°F
1	ZS09KAE	13140	11730	10480	9380	7560	6120	5500
1 1/2	ZS13KAE	17,870	15,960	14,290	12,830	10,410	8,470	7,600
2	ZS15KAE	21,550	19,240	17,230	15,470	12,550	10,210	9,160
2 1/2	ZS19KAE	24,220	21,630	19,370	17,390	14,110	11,470	10,300
3	ZS21KAE	34,710	31,400	28,310	25,430	20,230	15,690	13,620
3 1/2	ZS26KAE	37,950	34,010	30,380	27,050	21,280	16,650	14,750
4 1/2	ZS29KAE	44,050	39,850	35,930	32,270	25,670	19,910	17,280
5	ZS33KAE	48,600	43,960	39,640	35,600	28,320	21,960	19,070

### 100°F Ambient

HP	Compressor	Saturated Suction Temperature						
		35°F	30°F	25°F	20°F	10°F	0°F	-5°F
1	ZS09KAE	12650	11290	10080	9020	7280	5910	5330
1 1/2	ZS13KAE	17,130	15,280	13,660	12,260	9,960	8,150	7,350
2	ZS15KAE	20,660	18,420	16,480	14,780	12,010	9,820	8,860
2 1/2	ZS19KAE	23,220	20,710	18,520	16,610	13,500	11,040	9,960
3	ZS21KAE	33,430	30,220	27,210	24,400	19,320	14,840	12,800
3 1/2	ZS26KAE	36,400	32,510	28,940	25,680	20,050	15,580	13,760
4 1/2	ZS29KAE	42,430	38,340	34,530	30,970	24,510	18,840	16,240
5	ZS33KAE	46,810	42,300	38,090	34,160	27,040	20,780	17,920

### 110°F Ambient

HP	Compressor	Saturated Suction Temperature						
		35°F	30°F	25°F	20°F	10°F	0°F	-5°F
1	ZS09KAE	11470	10200	9080	8110	6540	5330	—
1 1/2	ZS13KAE	15,480	13,730	12,220	10,930	8,880	7,340	6,680
2	ZS15KAE	18,670	16,560	14,740	13,180	10,710	8,850	8,050
2 1/2	ZS19KAE	20,980	18,610	16,570	14,820	12,040	9,940	9,050
3	ZS21KAE	30,730	27,700	24,850	22,180	17,310	12,960	10,950
3 1/2	ZS26KAE	32,650	28,880	25,430	22,290	16,940	12,780	11,120
4 1/2	ZS29KAE	39,000	35,140	31,530	28,140	21,960	16,450	13,890
5	ZS33KAE	43,030	38,770	34,790	31,050	24,230	18,140	15,330

Note: All capacity values based on fixed 20°F TD.  
20°F Maximum Superheat

# PERFORMANCE DATA: SCROLL HERMETIC MODELS

## Capacity (BTUH) Data

### Scroll Hermetic, R-404A, Low Temperature

#### 90°F Ambient

HP	Compressor	Saturated Suction Temperature						
		35°F	30°F	25°F	20°F	10°F	0°F	-5°F
2	ZF06K4E	11,970	9,920	8,940	8,010	7,130	6,310	4,900
2-1/2	ZF08K4E	14,880	12,320	11,120	9,960	8,890	7,900	6,230
3	ZF09K4E	16,540	13,730	12,400	11,130	9,930	8,840	6,980
3-1/2	ZF11K4E	19,800	16,490	14,910	13,420	12,000	10,710	8,530
4-1/2	ZF13K4E	25,950	21,230	19,020	16,940	14,990	13,170	10,070
5-1/2	ZF15K4E	31,030	25,640	23,070	20,650	18,390	16,280	12,740
6	ZF18K4E	36,360	30,140	27,160	24,330	21,680	19,240	15,100

#### 95°F Ambient

HP	Compressor	Saturated Suction Temperature						
		35°F	30°F	25°F	20°F	10°F	0°F	-5°F
2	ZF06K4E	11,510	9,540	8,600	7,700	6,860	6,070	4,710
2-1/2	ZF08K4E	14,310	11,850	10,690	9,580	8,550	7,600	5,990
3	ZF09K4E	15,900	13,200	11,920	10,700	9,550	8,500	6,710
3-1/2	ZF11K4E	19,040	15,860	14,340	12,900	11,540	10,300	8,200
4-1/2	ZF13K4E	24,950	20,410	18,290	16,290	14,410	12,670	9,680
5-1/2	ZF15K4E	29,840	24,650	22,190	19,860	17,670	15,660	12,250
6	ZF18K4E	34,960	28,970	26,120	23,390	20,850	18,500	14,520

#### 100°F Ambient

HP	Compressor	Saturated Suction Temperature						
		35°F	30°F	25°F	20°F	10°F	0°F	-5°F
2	ZF06K4E	11,050	9,160	8,260	7,390	6,590	5,830	4,520
2-1/2	ZF08K4E	13,740	11,380	10,260	9,200	8,210	7,300	5,750
3	ZF09K4E	15,260	12,670	11,440	10,270	9,170	8,160	6,440
3-1/2	ZF11K4E	18,280	15,230	13,770	12,380	11,080	9,890	7,870
4-1/2	ZF13K4E	23,950	19,600	17,560	15,650	13,830	12,160	9,290
5-1/2	ZF15K4E	28,640	23,660	21,300	19,070	16,960	15,030	11,750
6	ZF18K4E	33,560	27,810	25,080	22,450	20,010	17,760	13,950

#### 110°F Ambient

HP	Compressor	Saturated Suction Temperature						
		35°F	30°F	25°F	20°F	10°F	0°F	-5°F
2	ZF06K4E	10,130	8,400	7,570	6,780	6,040	5,340	4,140
2 1/2	ZF08K4E	12,590	10,430	9,410	8,430	7,520	6,690	5,270
3	ZF09K4E	13,990	11,620	10,490	9,420	8,400	7,480	5,900
3 1/2	ZF11K4E	16,760	13,960	12,620	11,350	10,160	9,060	7,200
4 1/2	ZF13K4E	21,950	17,960	16,100	14,340	12,680	11,140	8,520
5 1/2	ZF15K4E	26,250	21,690	19,530	17,480	15,550	13,780	10,770
6	ZF18K4E	30,770	25,490	22,990	20,580	18,340	16,270	12,780

Note: Liquid injection is required for operation at Low Temperature Applications.

Note: All capacity values based on fixed 15°F TD.

# PERFORMANCE DATA: SCROLL HERMETIC MODELS

## Capacity (BTUH) Data

Scroll Hermetic, R-407A/R-407F, Low Temperature

### 90°F Ambient

HP	Compressor	Saturated Suction Temperature						
		35°F	30°F	25°F	20°F	10°F	0°F	-5°F
2	ZF06K4E	11,060	8,750	7,730	6,800	5,950	5,180	3,860
2 1/2	ZF08K4E	13,650	10,810	9,550	8,390	7,340	6,390	4,770
3	ZF09K4E	15,050	12,140	10,730	9,400	8,170	7,090	5,520
3 1/2	ZF11K4E	18,840	15,170	13,380	11,700	10,150	8,800	6,850
4 1/2	ZF13K4E	21,990	17,270	15,130	13,180	11,460	9,980	7,880
5 1/2	ZF15K4E	27,040	21,210	18,630	16,310	14,270	12,530	10,020
6	ZF18K4E	32,440	25,580	22,520	19,740	17,280	15,150	12,020

### 95°F Ambient

HP	Compressor	Saturated Suction Temperature						
		35°F	30°F	25°F	20°F	10°F	0°F	-5°F
2	ZF06K4E	10,700	8,470	7,490	6,580	5,750	5,010	3,730
2 1/2	ZF08K4E	13,210	10,460	9,240	8,120	7,100	6,180	4,600
3	ZF09K4E	14,560	11,780	10,420	9,120	7,930	6,880	5,330
3 1/2	ZF11K4E	18,220	14,700	12,980	11,350	9,850	8,530	6,620
4 1/2	ZF13K4E	21,300	16,660	14,580	12,680	11,020	9,610	7,670
5 1/2	ZF15K4E	26,200	20,500	17,990	15,740	13,750	12,070	9,670
6	ZF18K4E	31,480	24,790	21,810	19,110	16,720	14,660	11,660

### 100°F Ambient

HP	Compressor	Saturated Suction Temperature						
		35°F	30°F	25°F	20°F	10°F	0°F	-5°F
2	ZF06K4E	10,330	8,180	7,220	6,350	5,550	4,830	3,590
2 1/2	ZF08K4E	12,750	10,100	8,920	7,840	6,850	5,960	4,430
3	ZF09K4E	14,070	11,410	10,100	8,850	7,690	6,660	5,140
3 1/2	ZF11K4E	17,590	14,230	12,580	11,000	9,540	8,260	6,400
4 1/2	ZF13K4E	20,590	16,040	14,010	12,170	10,570	9,230	7,440
5 1/2	ZF15K4E	25,350	19,780	17,330	15,130	13,210	11,580	9,290
6	ZF18K4E	30,510	23,980	21,080	18,460	16,130	14,150	11,280

### 110°F Ambient

HP	Compressor	Saturated Suction Temperature						
		35°F	30°F	25°F	20°F	10°F	0°F	-5°F
2	ZF06K4E	9,550	7,560	6,670	5,870	5,130	4,460	3,300
2 1/2	ZF08K4E	11,780	9,330	8,240	7,240	6,330	5,500	4,080
3	ZF09K4E	13,100	10,690	9,480	8,320	7,230	6,260	4,800
3 1/2	ZF11K4E	16,330	13,290	11,770	10,300	8,950	7,740	5,980
4 1/2	ZF13K4E	19,110	14,740	12,810	11,090	9,610	8,410	6,930
5 1/2	ZF15K4E	23,570	18,250	15,920	13,830	12,020	10,490	8,410
6	ZF18K4E	28,520	22,310	19,560	17,070	14,890	13,020	10,390

Note: Liquid injection is required for operation at Low Temperature Applications.

Note: All capacity values based on fixed 15°F TD.

# PERFORMANCE DATA: SCROLL HERMETIC MODELS

## Capacity (BTUH) Data

Scroll Hermetic, R-407C, Low Temperature

### 90°F Ambient

HP	Compressor	Saturated Suction Temperature						
		35°F	30°F	25°F	20°F	10°F	0°F	-5°F
2	ZF06K4E	10,450	8,170	7,210	6,340	5,550	4,840	3,580
3	ZF09K4E	14,340	11,480	10,130	8,880	7,730	6,710	5,140
3 1/2	ZF11K4E	17,850	14,320	12,610	11,000	9,540	8,260	6,450
4 1/2	ZF13K4E	20,570	16,110	14,080	12,230	10,590	9,200	7,300
5 1/2	ZF15K4E	25,230	19,820	17,390	15,170	13,210	11,550	9,260
6	ZF18K4E	30,270	23,880	20,990	18,360	16,020	14,020	11,180

### 95°F Ambient

HP	Compressor	Saturated Suction Temperature						
		35°F	30°F	25°F	20°F	10°F	0°F	-5°F
2	ZF06K4E	10,160	7,950	7,010	6,170	5,410	4,720	3,480
3	ZF09K4E	13,900	11,150	9,850	8,630	7,510	6,520	4,980
3 1/2	ZF11K4E	17,310	13,910	12,250	10,690	9,260	8,010	6,250
4 1/2	ZF13K4E	19,960	15,570	13,580	11,780	10,200	8,870	7,100
5 1/2	ZF15K4E	24,510	19,210	16,820	14,660	12,750	11,150	8,970
6	ZF18K4E	29,450	23,190	20,370	17,800	15,530	13,590	10,890

### 100°F Ambient

HP	Compressor	Saturated Suction Temperature						
		35°F	30°F	25°F	20°F	10°F	0°F	-5°F
2	ZF06K4E	9,850	7,720	6,810	5,990	5,250	4,580	3,360
3	ZF09K4E	13,460	10,820	9,570	8,390	7,310	6,340	4,830
3 1/2	ZF11K4E	16,760	13,490	11,890	10,370	8,990	7,770	6,050
4 1/2	ZF13K4E	19,330	15,010	13,070	11,320	9,800	8,530	6,910
5 1/2	ZF15K4E	23,770	18,570	16,240	14,120	12,270	10,720	8,650
6	ZF18K4E	28,620	22,490	19,730	17,230	15,020	13,140	10,560

### 110°F Ambient

HP	Compressor	Saturated Suction Temperature						
		35°F	30°F	25°F	20°F	10°F	0°F	-5°F
2	ZF06K4E	9,180	7,200	6,360	5,600	4,900	4,270	3,100
3	ZF09K4E	12,580	10,180	9,020	7,930	6,910	6,000	4,560
3 1/2	ZF11K4E	15,650	12,650	11,160	9,740	8,440	7,290	5,660
4 1/2	ZF13K4E	18,030	13,870	12,020	10,380	8,970	7,830	6,490
5 1/2	ZF15K4E	22,240	17,230	14,990	12,980	11,230	9,770	7,890
6	ZF18K4E	26,900	21,020	18,380	16,000	13,910	12,150	9,810

Note: Liquid injection is required for operation at Low Temperature Applications.

Note: All capacity values based on fixed 15°F TD.

# PERFORMANCE DATA: SCROLL HERMETIC MODELS

## Capacity (BTUH) Data

Scroll Hermetic, R-448A/R-449A, Low Temperature

### 90°F Ambient

HP	Compressor	Saturated Suction Temperature						
		0°F	-10°F	-15°F	-20°F	-25°F	-30°F	-40°F
2	ZF06K4E	11,210	8,900	7,900	6,970	6,120	5,340	3,950
2 1/2	ZF08K4E	14,280	11,300	10,010	8,830	7,760	6,790	5,130
3	ZF09K4E	15,790	12,540	11,120	9,840	8,670	7,610	5,760
3 1/2	ZF11K4E	19,740	15,650	13,860	12,240	10,770	9,450	7,180
4 1/2	ZF13K4E	23,460	18,460	16,250	14,250	12,440	10,840	8,230
5 1/2	ZF15K4E	28,790	22,720	20,080	17,680	15,520	13,610	10,440
6	ZF18K4E	34,530	27,360	24,230	21,380	18,810	16,500	12,610

### 95°F Ambient

HP	Compressor	Saturated Suction Temperature						
		0°F	-10°F	-15°F	-20°F	-25°F	-30°F	-40°F
2	ZF06K4E	10,880	8,660	7,680	6,780	5,960	5,190	3,830
2 1/2	ZF08K4E	13,860	10,980	9,720	8,580	7,540	6,590	4,970
3	ZF09K4E	15,320	12,180	10,810	9,560	8,430	7,400	5,610
3 1/2	ZF11K4E	19,160	15,190	13,470	11,900	10,480	9,190	7,000
4 1/2	ZF13K4E	22,570	17,740	15,620	13,710	12,000	10,490	8,080
5 1/2	ZF15K4E	27,720	21,890	19,360	17,070	15,020	13,200	10,210
6	ZF18K4E	33,280	26,410	23,420	20,710	18,270	16,080	12,410

### 100°F Ambient

HP	Compressor	Saturated Suction Temperature						
		0°F	-10°F	-15°F	-20°F	-25°F	-30°F	-40°F
2	ZF06K4E	10,550	8,410	7,470	6,600	5,800	5,060	3,720
2 1/2	ZF08K4E	13,430	10,640	9,430	8,320	7,310	6,400	4,810
3	ZF09K4E	14,840	11,810	10,490	9,280	8,190	7,190	5,450
3 1/2	ZF11K4E	18,560	14,730	13,060	11,550	10,170	8,930	6,800
4 1/2	ZF13K4E	21,630	17,000	14,980	13,170	11,570	10,170	7,970
5 1/2	ZF15K4E	26,600	21,030	18,620	16,440	14,500	12,790	10,000
6	ZF18K4E	32,000	25,440	22,600	20,030	17,720	15,670	12,230

### 110°F Ambient

HP	Compressor	Saturated Suction Temperature						
		0°F	-10°F	-15°F	-20°F	-25°F	-30°F	-40°F
2	ZF06K4E	9,920	7,960	7,090	6,290	5,540	4,850	3,570
2 1/2	ZF08K4E	12,520	9,940	8,810	7,780	6,840	5,990	4,490
3	ZF09K4E	13,860	11,050	9,830	8,720	7,700	6,770	5,130
3 1/2	ZF11K4E	17,290	13,750	12,200	10,800	9,530	8,380	6,400
4 1/2	ZF13K4E	19,680	15,480	13,690	12,100	10,730	9,560	7,850
5 1/2	ZF15K4E	24,270	19,250	17,090	15,170	13,470	11,980	9,620
6	ZF18K4E	29,350	23,460	20,930	18,670	16,660	14,880	11,970

Note: Liquid injection is required for operation at Low Temperature Applications.

Note: All capacity values based on fixed 15°F TD.

## Scroll Compressors

HP	Compressor	Connections ID (in.)		Receiver 90% Full (lbs.)
		Liquid	Suction	R-404A
<b>Scroll Medium Temperature</b>				
1	ZS09KAE	1/2	7/8	22
1-1/2	ZS13KAE	1/2	7/8	22
2	ZS15KAE	1/2	7/8	22
2-1/2	ZS19KAE	1/2	7/8	22
3	ZS21KAE	1/2	7/8	22
3-1/2	ZS26KAE	1/2	7/8	22
4-1/2	ZS29K4E	1/2	7/8	22
5	ZS33K4E	1/2	7/8	22
5-1/2	ZS38K4E	1/2	7/8	22
6	ZS45K4E	1/2	7/8	22
<b>Scroll Low Temperature</b>				
2	ZF06K4E	1/2	7/8	22
2-1/2	ZF08K4E	1/2	7/8	22
3	ZF09K4E	1/2	7/8	22
3-1/2	ZF11K4E	1/2	7/8	22
4-1/2	ZF13K4E	1/2	7/8	22
5-1/2	ZF15K4E	1/2	7/8	22
6	ZF18K4E	1/2	7/8	22

## Scroll Compressor

HP	Compressor						Evap. Fan Amps	Defrost Heater Amps
	Model	Voltage	Phase	Hz	RLA	LRA		
<b>Scroll Medium Temperature</b>								
1	ZS09KAE-PFV	208-230	1	60	9	40.3	12	30
1	ZS09KAE-TF5	208-230	3	60	7.2	55.4	9	19
1-1/2	ZS13KAE-PFV	208-230	1	60	10.8	56	12	30
1-1/2	ZS13KAE-TF5	208-230	3	60	8.7	58	9	19
2	ZS15KAE-PFV	208-230	1	60	14.1	68	12	30
2	ZS15KAE-TF5	208-230	3	60	9.6	58	9	19
2-1/2	ZS19KAE-PFV	208-230	1	60	16.2	75	12	30
2-1/2	ZS19KAE-TF5	208-230	3	60	12.3	73	11	23
3	ZS21KAE-PFV	208-230	1	60	20.8	112	12	30
3	ZS21KAE-TF5	208-230	3	60	13.7	93	12	30
3-1/2	ZS26KAE-PFV	208-230	1	60	21.2	104	12	30
3-1/2	ZS26KAE-TF5	208-230	3	60	13.9	93	12	30
4-1/2	ZS29KAE-PFV	208-230	1	60	23.4	137	11	47
4-1/2	ZS29KAE-TF5	208-230	3	60	18.4	114	12	35
5	ZS33KAE-PFV	208-230	1	60	23	146	12	47
5	ZS33KAE-TF5	208-230	3	60	20	114	12	30
5-1/2	ZS38K4E-PFV	208-230	1	60	28.8	169	12	47
5-1/2	ZS38K4E-TF5	208-230	3	60	19.2	123	12	35
6	ZS45K4E-TF5	208-230	3	60	21.5	156	12	30
<b>Scroll Low Temperature</b>								
2	ZF06K4E-PFV	208-230	1	60	12.2	61	12	30
2	ZF06K4E-TF5	208-230	3	60	8.3	55	9	19
2-1/2	ZF08K4E-PFV	208-230	1	60	14.7	73	12	30
2-1/2	ZF08K4E-TF5	208-230	3	60	8.7	63	11	23
3	ZF09K4E-PFV	208-230	1	60	12.8	88	12	30
3	ZF09K4E-TF5	208-230	3	60	8.7	77	6	19
3-1/2	ZF11K4E-PFV	208-230	1	60	16	109	12	30
3-1/2	ZF11K4E-TF5	208-230	3	60	10.9	88	6	23
4-1/2	ZF13K4E-PFV	208-230	1	60	22.4	129	11	30
4-1/2	ZF13K4E-TF5	208-230	3	60	11.9	99	11	30
5-1/2	ZF15K4E-PFV	208-230	1	60	25	169	10	30
5-1/2	ZF15K4E-TF5	208-230	3	60	17	123	10	30
6	ZF18K4E-TF5	208-230	3	60	19.6	156	12	35

# PERFORMANCE DATA

## Capacity (BTUH) Data

Hermetic, R-404A, Extended Temperature

90°F Ambient

HP	Compressor	Saturated Suction Temperature						
		30°F	25°F	20°F	0°F	-10°F	-20°F	-25°F
1/2	RST45C1E	5,890	5,410	4,850	3,260	2,130	1,810	1,380
1/2	RST55C1E	8,490	8,050	7,480	4,260	2,350	1,750	1,130
3/4	RST64C1E	9,710	9,090	8,310	5,220	4,130	3,240	2,400
1	RST70C1E	10,360	9,660	9,160	5,640	4,160	2,970	1,870
1-1/2	CS10K6E	15,940	14,660	13,330	7,700	4,900	3,610	2,330
2	CS12K6E	18,050	16,680	15,150	8,940	6,170	4,410	2,640
2-1/2	CS14K6E	19,830	18,220	16,770	10,810	7,840	6,360	4,470
3	CS18K6E	31,240	28,630	25,980	15,400	10,260	8,110	5,950
3-1/4	CS20K6E	34,200	31,310	28,580	16,910	11,960	9,440	6,930

95°F Ambient

HP	Compressor	Saturated Suction Temperature						
		30°F	25°F	20°F	0°F	-10°F	-20°F	-25°F
1/2	RST45C1E	5,560	5,100	4,580	3,080	2,010	1,710	1,300
1/2	RST55C1E	8,010	7,590	7,060	4,020	2,220	1,650	1,070
3/4	RST64C1E	9,170	8,580	7,850	4,920	3,900	3,060	2,260
1	RST70C1E	9,770	9,110	8,640	5,320	3,920	2,800	1,760
1-1/2	CS10K6E	15,040	13,830	12,580	7,260	4,620	3,410	2,200
2	CS12K6E	17,030	15,740	14,290	8,430	5,820	4,160	2,490
2-1/2	CS14K6E	18,710	17,190	15,820	10,200	7,400	6,000	4,220
3	CS18K6E	29,470	27,010	24,510	14,530	9,680	7,650	5,610
3-1/4	CS20K6E	32,260	29,540	26,960	15,950	11,280	8,910	6,540

100°F Ambient

HP	Compressor	Saturated Suction Temperature						
		30°F	25°F	20°F	0°F	-10°F	-20°F	-25°F
1/2	RST45C1E	5,230	4,790	4,310	2,900	1,890	1,610	1,220
1/2	RST55C1E	7,530	7,130	6,640	3,780	2,090	1,550	1,010
3/4	RST64C1E	8,620	8,060	7,380	4,630	3,660	2,870	2,130
1	RST70C1E	9,180	8,560	8,120	5,000	3,680	2,630	1,650
1-1/2	CS10K6E	14,140	13,000	11,830	6,820	4,340	3,210	2,070
2	CS12K6E	16,010	14,800	13,430	7,920	5,470	3,910	2,340
2-1/2	CS14K6E	17,590	16,160	14,870	9,590	6,960	5,640	3,970
3	CS18K6E	27,700	25,390	23,040	13,660	9,100	7,190	5,270
3-1/4	CS20K6E	30,320	27,770	25,340	14,990	10,600	8,380	6,150

110°F Ambient

HP	Compressor	Saturated Suction Temperature						
		30°F	25°F	20°F	0°F	-10°F	-20°F	-25°F
1/2	RST45C1E	5,380	4,830	4,300	2,480	1,860	1,470	1,080
1/2	RST55C1E	6,150	5,900	5,520	2,730	2,050	1,620	1,190
3/4	RST64C1E	7,370	6,840	6,300	4,070	3,000	2,380	1,750
1	RST70C1E	7,610	7,130	6,600	4,080	2,710	2,140	1,570
1-1/2	CS10K6E	12,780	11,700	7,110	5,690	3,220	2,540	1,870
2	CS12K6E	14,870	13,540	12,180	6,820	4,400	3,480	2,550
2-1/2	CS14K6E	16,280	15,050	13,780	8,600	6,170	4,870	3,580
3	CS18K6E	24,270	22,160	20,020	11,590	7,660	6,050	4,440
3-1/4	CS20K6E	26,320	24,040	21,690	12,250	8,020	6,340	4,650



# PERFORMANCE DATA: HERMETIC MODELS

## Capacity (BTUH) Data Hermetic, R-407C, Extended Temperature

### 90°F Ambient

HP	Compressor	Saturated Suction Temperature						
		30°F	25°F	20°F	0°F	-10°F	-20°F	-25°F
1/2	RST45C1E	6,340	5,580	4,890	4,270	3,700	3,210	2,770
3/4	RST55C1E	7,670	6,780	5,970	5,230	4,560	3,960	3,400
1	RST64C1E	10,040	8,880	7,820	6,850	5,980	5,180	4,460
1	RST70C1E	10,160	9,030	8,000	7,060	6,190	5,380	4,620

### 95°F Ambient

HP	Compressor	Saturated Suction Temperature						
		30°F	25°F	20°F	0°F	-10°F	-20°F	-25°F
1/2	RST45C1E	6,050	5,330	4,660	4,060	3,520	3,040	2,620
3/4	RST55C1E	7,320	6,470	5,690	4,990	4,350	3,770	3,230
1	RST64C1E	9,590	8,470	7,460	6,540	5,700	4,930	4,240
1	RST70C1E	9,720	8,640	7,650	6,750	5,910	5,120	4,390

### 100°F Ambient

HP	Compressor	Saturated Suction Temperature						
		30°F	25°F	20°F	0°F	-10°F	-20°F	-25°F
1/2	RST45C1E	5,770	5,070	4,430	3,860	3,340	2,880	-
3/4	RST55C1E	6,970	6,160	5,420	4,740	4,130	3,580	-
1	RST64C1E	9,130	8,070	7,100	6,210	5,410	4,680	-
1	RST70C1E	9,280	8,250	7,300	6,430	5,620	4,870	-

### 110°F Ambient

HP	Compressor	Saturated Suction Temperature						
		30°F	25°F	20°F	0°F	-10°F	-20°F	-25°F
1/2	RST45C1E	5,200	4,570	3,990	3,460	2,980	-	-
3/4	RST55C1E	6,260	5,520	4,850	4,250	3,690	-	-
1	RST64C1E	8,200	7,240	6,360	5,560	4,840	-	-
1	RST70C1E	8,370	7,430	6,570	5,770	5,030	-	-

Note: All capacity values based on fixed 20°F TD.

# PERFORMANCE DATA: HERMETIC MODELS

## Capacity (BTUH) Data

Hermetic, R-448A/R-449A, Extended Temperature

### 90°F Ambient

HP	Compressor	Saturated Suction Temperature						
		30°F	25°F	20°F	0°F	-10°F	-20°F	-25°F
1/2	RST45C1E	6,510	5,720	5,000	2,810	2,050	-	-
3/4	RST55C1E	8,230	7,230	6,310	3,500	2,640	-	-
1	RST64C1E	10,330	9,140	8,040	4,560	3,390	-	-
1	RST70C1E	9,970	8,970	8,030	4,820	3,490	-	-

### 95°F Ambient

HP	Compressor	Saturated Suction Temperature						
		30°F	25°F	20°F	0°F	-10°F	-20°F	-25°F
1/2	RST45C1E	6,170	5,410	4,730	2,650	-	-	-
3/4	RST55C1E	7,780	6,820	5,940	3,270	-	-	-
1	RST64C1E	9,830	8,680	7,630	4,310	-	-	-
1	RST70C1E	9,540	8,580	7,680	4,560	-	-	-

### 100°F Ambient

HP	Compressor	Saturated Suction Temperature						
		30°F	25°F	20°F	0°F	-10°F	-20°F	-25°F
1/2	RST45C1E	5,830	5,110	4,470	2,490	-	-	-
3/4	RST55C1E	7,330	6,420	5,580	3,050	-	-	-
1	RST64C1E	9,330	8,240	7,230	4,060	-	-	-
1	RST70C1E	9,110	8,190	7,320	4,300	-	-	-

### 110°F Ambient

HP	Compressor	Saturated Suction Temperature						
		30°F	25°F	20°F	0°F	-10°F	-20°F	-25°F
1/2	RST45C1E	5,160	4,510	3,930	-	-	-	-
3/4	RST55C1E	6,500	5,660	4,910	-	-	-	-
1	RST64C1E	8,350	7,350	6,430	-	-	-	-
1	RST70C1E	8,240	7,400	6,590	-	-	-	-

Note: All capacity values based on fixed 20°F TD.

# PERFORMANCE DATA: HERMETIC MODELS

## Capacity (BTUH) Data

Hermetic, R-404A, Low Temperature

### 90°F Ambient

HP	Compressor	Saturated Suction Temperature					
		0°F	-5°F	-10°F	-20°F	-25°F	-30°F
1	CF04K6E	7,484	6,624	5,765	4,090	3,293	2,536
1-1/2	CF06K6E	10,610	9,460	8,340	6,220	5,250	4,340
2-1/2	CF09K6E	17,940	15,970	14,050	10,400	8,700	7,130
3	CF12K6E	20,793	18,889	16,931	12,938	10,952	9,009

### 95°F Ambient

HP	Compressor	Saturated Suction Temperature					
		0°F	-5°F	-10°F	-20°F	-25°F	-30°F
1	CF04K6E	6,930	6,109	5,289	3,684	2,919	2,196
1-1/2	CF06K6E	9,980	8,870	7,790	5,740	4,810	3,940
2-1/2	CF09K6E	16,870	14,990	13,150	9,650	8,040	6,560
3	CF12K6E	19,598	17,782	15,909	12,070	10,152	8,268

### 100°F Ambient

HP	Compressor	Saturated Suction Temperature					
		0°F	-5°F	-10°F	-20°F	-25°F	-30°F
1	CF04K6E	6,379	5,597	4,814	3,281	2,549	1,856
1-1/2	CF06K6E	9,360	8,280	7,230	5,270	4,370	3,550
2-1/2	CF09K6E	15,810	14,000	12,240	8,910	7,390	6,000
3	CF12K6E	18,410	16,681	14,892	11,206	9,354	7,530

### 110°F Ambient

HP	Compressor	Saturated Suction Temperature					
		0°F	-5°F	-10°F	-20°F	-25°F	-30°F
1	CF04K6E	5,288	4,581	3,872	2,477	1,809	N/A
1-1/2	CF06K6E	8,130	7,110	6,130	4,310	3,500	2,770
2-1/2	CF09K6E	13,680	12,050	10,440	7,440	6,080	4,850
3	CF12K6E	16,056	14,500	12,875	9,490	7,770	6,061

## Hermetic Compressors

HP	Compressor	Connections ID (in.)		Receiver 90% Full (lbs.)
		Liquid	Suction	R-404A
<b>Hermetic Extended Temperature</b>				
1/2	RST45C1E	3/8	1/2	9
3/4	RST55C1E	3/8	1/2	9
1	RST64C1E	3/8	1/2	9
1	RST70C1E	3/8	1/2	9
1-1/2	CS10K6E	3/8	7/8	9
2	CS12K6E	3/8	7/8	9
2-1/2	CS14K6E	3/8	7/8	9
3	CS18K6E	1/2	7/8	22
3-1/4	CS20K6E	1/2	7/8	22
<b>Hermetic Low Temperature</b>				
1	CF04K6E	3/8	7/8	9
1-1/2	CF06K6E	3/8	7/8	9
2-1/2	CF09K6E	3/8	7/8	9
3	CF12K6E	3/8	7/8	9

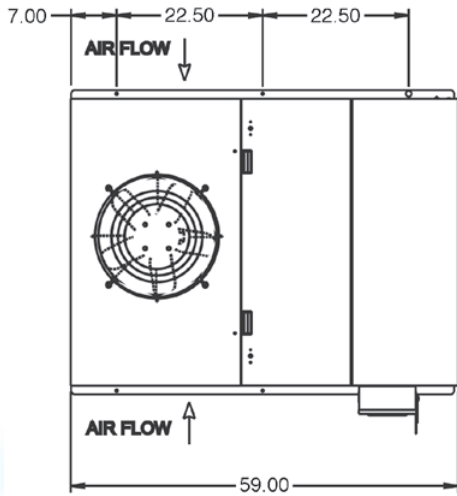
## Hermetic Compressor

HP	Compressor						Evap. Fan Amps	Defrost Heater Amps
	Model	Voltage	Phase	Hz	RLA	LRA		
Hermetic Medium, High Temperature and Extended Temperature								
1/2	RST45C1E-CAV	208-230	1	60	4.6	26.5	8	15
1/2	RST55C1E-CAV	208-230	1	60	6.1	33.7	8	15
3/4	RST64C1E-CAV	208-230	1	60	8.1	43	7	15
1	RST70C1E-PFV	208-230	1	60	6.9	46	7	15
1	RST70C1E-TF5	208-230	3	60	4.9	36	8.6	15
1-1/2	CS10K6E-PFV	208-230	1	60	9.8	56	6	19
1-1/2	CS10K6E-TF5	208-230	3	60	6.7	51	7	15
2	CS12K6E-PFV	208-230	1	60	9.8	56	6	19
2	CS12K6E-TF5	208-230	3	60	6.7	51	9	19
2-1/2	CS14K6E-PFV	208-230	1	60	11.2	61	6	23
2-1/2	CS14K6E-TF5	208-230	3	60	8.2	55	9	19
3	CS18K6E-PFV	208-230	1	60	14.4	82	12	30
3	CS18K6E-TF5	208-230	3	60	9.4	65.5	7	23
3-1/4	CS20K6E-PFV	208-230	1	60	16.7	96	12	30
3-1/4	CS20K6E-TF5	208-230	3	60	10.3	75	7	23
Hermetic Low Temperature								
1	CF04K6E-PFV	208-230	1	60	8.6	59.2	7	15
1	CF04K6E-TF5	200-230	3	60	5.7	52	8	15
1-1/2	CF06K6E-PFV	208-230	1	60	10.3	59.2	4	15
1-1/2	CF06K6E-TF5	200-230	3	60	6.3	52	9	19
2-1/2	CF09K6E-PFV	208-230	1	60	15	87	6	23
2-1/2	CF09K6E-TF5	200-230	3	60	9.2	72.2	7	15
3	CF12K6E-PFV	208-230	1	60	18.4	105	12	30
3	CF12K6E-TF5	200-230	3	60	11	85	7	23

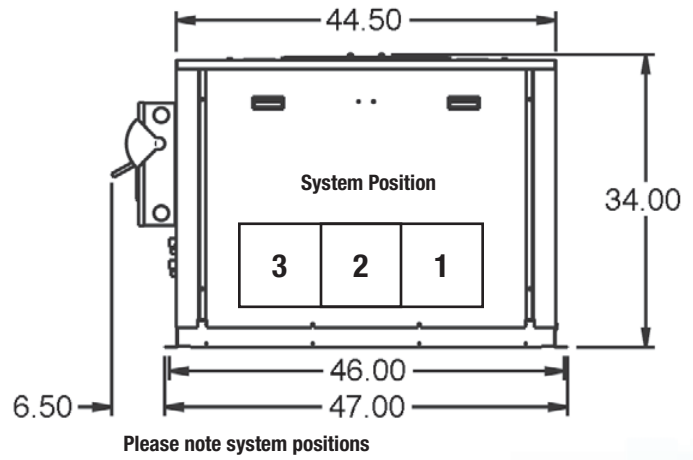
# DIMENSIONS

## Dimensional Drawings

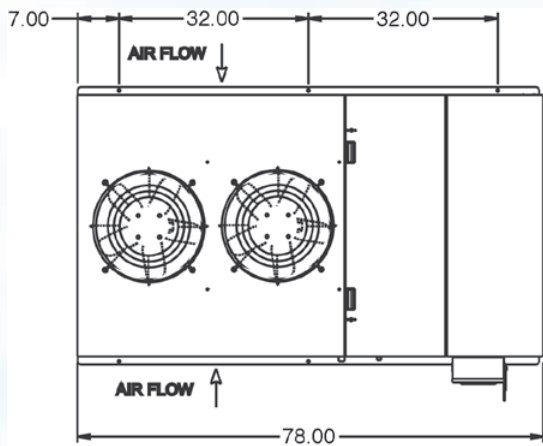
### Single Fan Top View



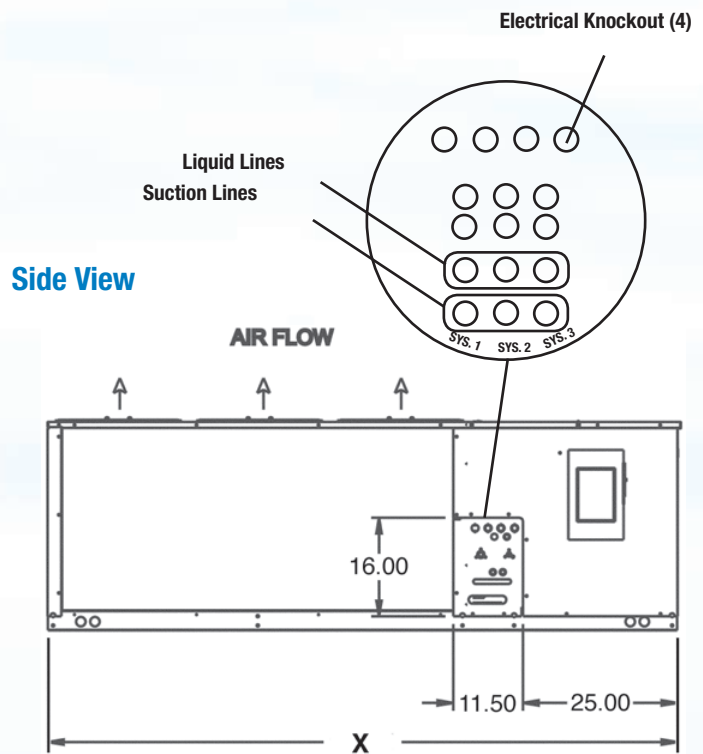
### End View



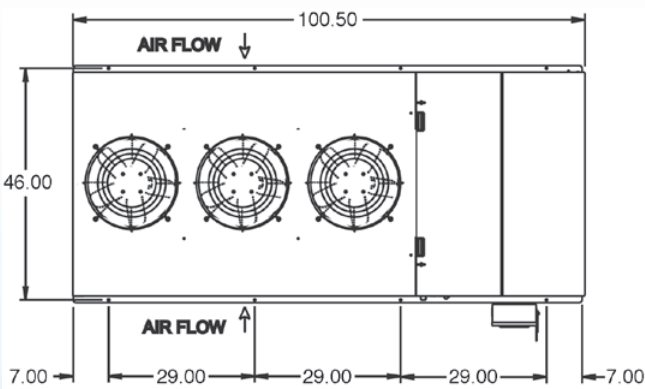
### Two Fan Top View



### Side View



### Three Fan Top View



- X = 100.50 (Three Fan Length)
- X = 78.00 (Two Fan Length)
- X = 59.00 (Single Fan Length)

**Notes:**



2175 West Park Place Blvd. · Stone Mountain, GA 30087  
Phone: 800.537.7775 · Fax: 770.465.5900  
[heatcraftrpd.com](http://heatcraftrpd.com)

For more information on Bohn refrigeration products, contact  
your Sales Representative or visit us at [www.heatcraftrpd.com](http://www.heatcraftrpd.com).

**BOHN**

Since product improvement is a continuing effort, we reserve the right to make  
changes in specifications without notice.

0717 | Version 000